

1 AUTOMOTIVE RELAY



P.C.B RELAYS



Appearance							
Model	NRP02		NRP03		NRP03K	NRP04	
Dimension(mm)	15.5×10.5×11.5		15.5×10.5×11.5		12.5×7.5×10	21×10×11.6	
Contact Arrangement	1A	1C	1A	1C	1C	2C	
Contact Capacity	Max.	1A	5A	1A	5A	2A	
	Rated	1A	3A	1A	3A	1A	1A, 2A
	Min.	1mA 5VDC		1mA 5VDC		1mA 5VDC	1mA 5VDC
MAX Switching Voltage	60VDC/250VAC		60VDC/250VAC		60VDC/120VAC	60VDC/250VAC	
MAX Switching Power	90W/360VA		30W/120VA 90W/360VA		48W/240VA	60W/120VA	
Nominal Voltage	3~48VDC		3~48VDC		3~24VDC	3~48VDC	
Pull-in Voltage	≤75%		≤75%		≤75%	≤75%	
Release Voltage	≥10%		≥10%		≥10%	≥5%	
Operate / Release Time	≤6ms/4ms		≤6ms/4ms		≤4ms/3ms	≤6ms/4ms	
Coil Power	0.15W、0.20W、0.36W		0.15W、0.20W、0.36W		0.15W、0.20W	0.15W、0.20W、0.45W	
Contact Resistance	≤100mΩ		≤100mΩ		≤100mΩ	≤100mΩ	
Insulation Resistance	≥100MΩ		≥100MΩ		≥100MΩ	≥100MΩ	
Dielectric Strength Vr.m.s	Between Contacts	500VAC		500VAC		400VAC	750VAC
	Between Coil&Contact	1000VAC		1000VAC		1000VAC	1000VAC
Ambient Temp.(°C)	-25~+70°C		-25~+70°C		-30~+70°C	-30~+70°C	
Service Life	Electrical	1×10 ⁵		1×10 ⁵		1×10 ⁵	1×10 ⁵
	Mechanical	1×10 ⁷		1×10 ⁷		1×10 ⁷	1×10 ⁷
Mounting Holes(mm)							
Terminal Type	P.C.B		P.C.B		P.C.B	P.C.B	
Model Cross Reference	FUJITSU:FB211SC/SE OMRON:G2E OEG:OUA P&B:T81 SIEMENS:V23101		FUJITSU:FB211SC/SE OMRON:G2E OEG:OUA P&B:T81 SIEMENS:V23101		FUJITSU:SY OMRON:G5V-1 NAIS:HY	NAIS:DS2Y OMRON:G5V-2 OEG:OVR P&B:T82/T85	
Approval							



350 Milford Point Rd. Milford, CT 06460 P.203-878-0400 F.203-878-0458

www.jaxxeninc.com

info@jaxxeninc.com







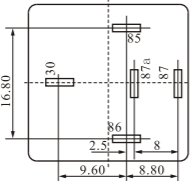
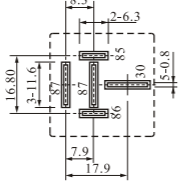
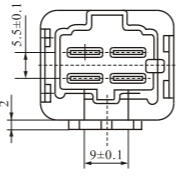
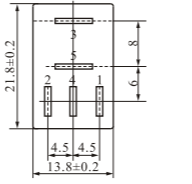
Appearance				
Model	NRP05	NRP07	NRP08	NRP10
Dimension(mm)	18.8×10.6×15.6	19×15.4×15.6	22×16×16.5	20.2×16.5×20.2
Contact Arrangement	1A, 1C	1A, 1C	1A, 1C	1A, 1C
Contact Capacity	Max.	10A	15A	12A
	Rated	5A, 10A	10A/12A 120VAC 7A 250VAC	10A 250VAC 10A 28VDC
	Min.	100mA 5VDC	10mA 5VDC	10mA 5VDC
MAX Switching Voltage	30VDC/250VAC	30VDC/250VAC	30VDC/250VAC	30VDC/250VAC
MAX Switching Power	150W/1200VA	280W/1250VA	240W/2400VA	240W/2700VA
Nominal Voltage	3~48VDC	3~48VDC	3~48VDC	3~60VDC
Pull-in Voltage	≤75%	≤75%	≤75%	≤75%
Release Voltage	≥5%	≥5%	≥5%	≥5%
Operate / Release Time	≤8ms/6ms	≤8ms/5ms	≤10ms/5ms	≤10ms/5ms
Coil Power	0.20W、0.45W	0.36W	0.36W	0.36W、0.54W
Contact Resistance	≤100mΩ	≤100mΩ	≤100mΩ	≤100mΩ
Insulation Resistance	≥100MΩ	≥100MΩ	≥100MΩ	≥100MΩ
Dielectric Strength Vr.m.s	Between Contacts	1000VAC	750VAC	750VAC
	Between Coil&Contact	2500VAC	1500VAC	2000VAC
Ambient Temp.(°C)	-40~+75°C	-40~+85°C	-40~+75°C	-40~+70°C
Service Life	Electrical	1×10 ⁵	1×10 ⁵	1×10 ⁵
	Mechanical	1×10 ⁷	1×10 ⁷	1×10 ⁷
Mounting Holes(mm)				
Terminal Type	P.C.B	P.C.B	P.C.B	P.C.B
Model Cross Reference	OMRON:OJE ZETTLER:AZ765/AZ767 P&B:T77 SONGCHUAN:835	FUJITSU:FBR161-H OMRON:G5L OEG:ORW P&B:T73 NAIS:JS	OMRON:G5L-E OEG:PCE P&B:T72 NAIS:JS	OMRON:G5L OEG:SRU P&B:T70
Approval				

NRP18	NRP18D	NRP12	NRP13	NRP14
15.7×12.3×14	15.7×12.3×14	29×12.7×20	29×12.7×20	29×12.7×20
1A, 1C	2A, 2C	1A, 1C	2A, 2C	1A, 1C
20A 14DVC	20A	12A	8A	20A
5A 250VAC 7A 125VAC	5A 250VAC 7A 125VAC	10A	5A	16A
100mA 5VDC	100mA 5VDC	100mA 5VDC	100mA 5VDC	100mA 5VDC
16VDC/250VAC	16VDC/250VAC	30VDC/250VAC	30VDC/250VAC	30VDC/120VAC
400W/840VA	400W/840VA	300W/2500VA	240W/1250VA	480W/4800VA
3~24VDC	3~24VDC	3~48VDC	3~48VDC	3~48VDC
≤65%	≤65%	≤75%	≤75%	≤75%
≥10%	≥10%	≥10%	≥10%	≥10%
≤10ms/5ms	≤10ms/5ms	≤15ms/10ms	≤15ms/10ms	≤15ms/10ms
0.60W、0.80W	0.60W、0.80W	0.54W、0.72W	0.54W、0.72W	0.54W、0.72W
≤100mΩ	≤100mΩ	≤100mΩ	≤100mΩ	≤100mΩ
≥100MΩ	≥100MΩ	≥100MΩ	≥100MΩ	≥100MΩ
500VAC	500VAC	1000VAC	1000VAC	1000VAC
1000VAC	1000VAC	5000VAC	5000VAC	5000VAC
-40~+85°C	-40~+85°C	-40~+85°C	-40~+85°C	-40~+85°C
1×10 ⁵	1×10 ⁵	1×10 ⁵	1×10 ⁵	1×10 ⁵
1×10 ⁷	1×10 ⁷	1×10 ⁷	1×10 ⁷	1×10 ⁷
P.C.B	P.C.B	P.C.B	P.C.B	P.C.B
OMRON:R501 FUJITSU:FBR51 P&B:T78	OMRON:R501 FUJITSU:FBR51 P&B:T78-2	OMRON: G2R-1 OEG: OMI-1P FUJITSU: FTR-H ZETTLER:AZ742/763/764 FEME:MZ5	OMRON: G2R-2 OEG: OMI-2P FUJITSU: FTR-H ZETTLER:AZ742/763/764 FEME:MZ5	OMRON: G2RE OEG: OZ P&B: RK FUJITSU: FTR-H ZETTLER:AZ742/763/764 FEME:MZ5



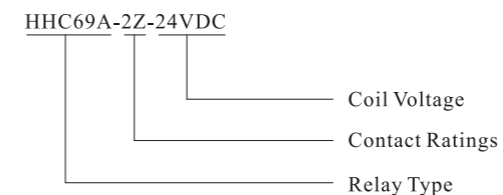
Appearance					
Model	NRP12T	NRP13T	NRP14T	HHC67E(NRP15)	
Dimension(mm)	29×12.7×15.7	29×12.7×15.7	29×12.7×15.7	32.5×27×23.4	
Contact Arrangement	1A, 1C	2A, 2C	1A, 1C	1A, 1C	
Contact Capacity	Max.	8A	20A	30A	
	Rated	10A	8A	16A	NC:20A/NO:30A
	Min.	100mA 5VDC	100mA 5VDC	100mA 5VDC	
MAX Switching Voltage	30VDC/250VAC	30VDC/250VAC	24VDC/120VAC	28VDC/220VAC	
MAX Switching Power	300W/3000VA	240W/2000VA	480W/4000VA	560W/6000VA	
Nominal Voltage	3~48VDC	3~48VDC	3~48VDC	5~110VDC/6~240VAC	
Pull-in Voltage	≤75%	≤80%	≤75%	≤75%	
Release Voltage	≥10%	≥5%	≥5%	≥10%	
Operate / Release Time	≤15ms/10ms	≤15ms/10ms	≤15ms/10ms	≤15ms/10ms	
Coil Power	0.40W	0.40W	0.40W	0.93W	
Contact Resistance	≤100mΩ	≤100mΩ	≤100mΩ	≤50mΩ	
Insulation Resistance	≥100MΩ	≥100MΩ	≥100MΩ	≥100MΩ	
Dielectric Strength Vr.m.s	Between Contacts	1000VAC	1000VAC	1000VAC	
	Between Coil&Contact	5000VAC	5000VAC	5000VAC	1500VAC
Ambient Temp.(°C)	-40~+70°C	-40~+70°C	-40~+70°C	-40~+75°C	
Service Life	Electrical	1×10 ⁵	1×10 ⁵	1×10 ⁵	
	Mechanical	1×10 ⁷	1×10 ⁷	1×10 ⁷	1×10 ⁷
Mounting Holes(mm)					
Terminal Type	P.C.B	P.C.B	P.C.B	P.C.B	
Model Cross Reference	SCHRACK:RT OMRON: G2R-1 OEG: EMI-1P ZETTLER:AZ761	SCHRACK:RT OMRON: G2R-2 OEG: EMI-2P ZETTLER:AZ761		OMRON:G8P OEG:ORU P&B:T90	
Approval					

HHC67F(NRP16)	HHC67H(NRP17)	NRA01	HHC68C	NRA06
32.5×27.5×27.5	32.5×27.5×27.5	17.2×14.7×19.7	29.0×25.0×45.5	26.8×21.5×22.30
1A, 1C	1A, 1C	1A, 1C, 2A, 2C(1U)	1A, 1C	1A, 1C
30A	30A	20A	25A	40A
NC:20A/NO:30A	NC:20A/NO:30A	15A, 10A	20A	40A
28VDC/220VAC	28VDC/220VAC	75VDC	14VDC	30VDC
560W/6000VA	560W/6000VA	280W	280W	560W
5~110VDC/6~240VAC	5~110VDC/6~240VAC	6~24VDC	3~24VDC	3~24VDC
≤75%	≤75%	≤75%	≤70%	≤70%
≥10%	≥10%	≥10%	≥5%	≥10%
≤15ms/10ms	≤15ms/10ms	≤10ms/5ms	≤15ms/10ms	≤5ms/4ms
0.93W	0.93W	1.1W	1.8W	1.6W/1.9W
≤50mΩ	≤50mΩ	≤100mΩ	≤100mΩ	≤100mΩ
≥100MΩ	≥100MΩ	≥100MΩ	≥100MΩ	≥100MΩ
1000VAC	1000VAC	750VAC	500VAC	≥500VAC
1500VAC	1500VAC	1500VAC	500VAC	≥750VAC
-40~+75°C	-40~+75°C	-40~+85°C	-40~+85°C	-40~+85°C
1×10 ⁵	1×10 ⁵	1×10 ⁵	1×10 ⁵	1×10 ⁵
1×10 ⁷	1×10 ⁷	1×10 ⁷	1×10 ⁷	1×10 ⁷
P.C.B	P.C.B	P.C.B	Plug-in	P.C.B
OMRON:G7G-G8P OEG:ORU P&B:T91	OMRON:G8P SONG CHUAN:852	OEG:OAR P&B:VKM TYCO: V23072	NCR:NRA05 OMRON:G4R	NCR:NRA06 P&B:VKP TYCO: V23076

Appearance				
Model	NRA04	NRA07	HHC67D	HHC68D
Dimension(mm)	28.0×28.0×25.0	29.0×29.0×26.5	25.0×28.0×29.4	23.0×15.5×26.0
Contact Arrangement	1A, 1B, 1C, 2A	1A, 1C	1A	1A, 1C
Contact Capacity	Max.	40A	80A	30A
	Rated	30A	70A	30A
	Min.	20A	25A	20A
MAX Switching Voltage	75VDC	75VDC	28VDC	75VDC
MAX Switching Power	630W	980W	700W	350W
Nominal Voltage	3~24VDC	6~24VDC	3~24VDC	6~24VDC
Pull-in Voltage	≤70%	≤65%	≤75%	≤70%
Release Voltage	≥10%	≥10%	≥10%	≥10%
Operate / Release Time	≤10ms/8ms	≤7ms/5ms	≤10ms/8ms	≤15ms/10ms
Coil Power	1.8W	1.8W	1.44W	1.6W
Contact Resistance	≤50mΩ	≤50mΩ	≤100mΩ	≤50mΩ
Insulation Resistance	≥100MΩ	≥100MΩ	≥100MΩ	≥100MΩ
Dielectric Strength Vr.m.s	Between Contacts	750VAC	500VAC	500VAC
	Between Coil&Contact	750VAC	500VAC	1000VAC
Ambient Temp.(°C)	-40~+85°C	-40~+85°C	-40~+85°C	-40~+85°C
Service Life	Electrical	1×10 ⁵	1×10 ⁵	1×10 ⁵
	Mechanical	1×10 ⁷	1×10 ⁷	1×10 ⁷
Mounting Holes(mm)				
Terminal Type	Plug~in P.C.B	Plug~in P.C.B	Plug~in	Plug~in
Model Cross Reference	P&B:HVF4 OEG:ORAL HHC67G OMRON: G8J MATSUSHITA: CB TYCO:VF4	P&B:VF7 HHC67G	NCR:NRA03 NAIS:CA	NCR:NRA09 P&B:VFM
Approval				

HHC69A(JQX-14FC)

Ordering Code



Contact Ratings

Contact Ratings	1H, 1Z 2H, 2Z
Contact Resistance	≤50mΩ (1A 24VDC)
Contact Material	Silver Alloy
Contact Capacity	JQX-14FC-1Z:10A/16A 220VAC/28VDC JQX-14FC-2Z:5A 220VAC/28VDC

Specification

Insulation Resistance	1000MΩ
Dielectric Strength (1mA)	B.C.C 5000VAC/1Min
	B.O.C 1500/1000VAC/1Min
Operate Time	Pull-in ≤15ms
	Release ≤5ms
Terminal Type	P.C.B
Packing Info	Ctn:500pcs /G.W:10kg
	Carton Size:342×263×325mm N.W:9kg

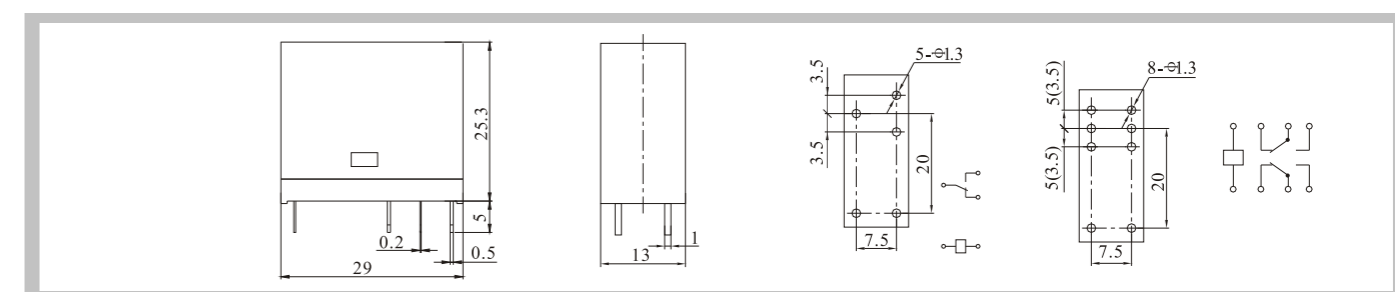
Coil Versions

Nominal Voltage VDC	Pull-in Voltage VDC	Release Voltage VDC	Coil Resistance Ω:±10%
3	≤2.25	≥0.3	20
5	≤3.75	≥0.5	50
6	≤4.5	≥0.6	68
9	≤6.75	≥0.9	160
12	≤9	≥1.2	270
18	≤13.5	≥1.8	650
24	≤18	≥2.4	1080
48	≤36	≥4.8	4340
60	≤45	≥6	7000

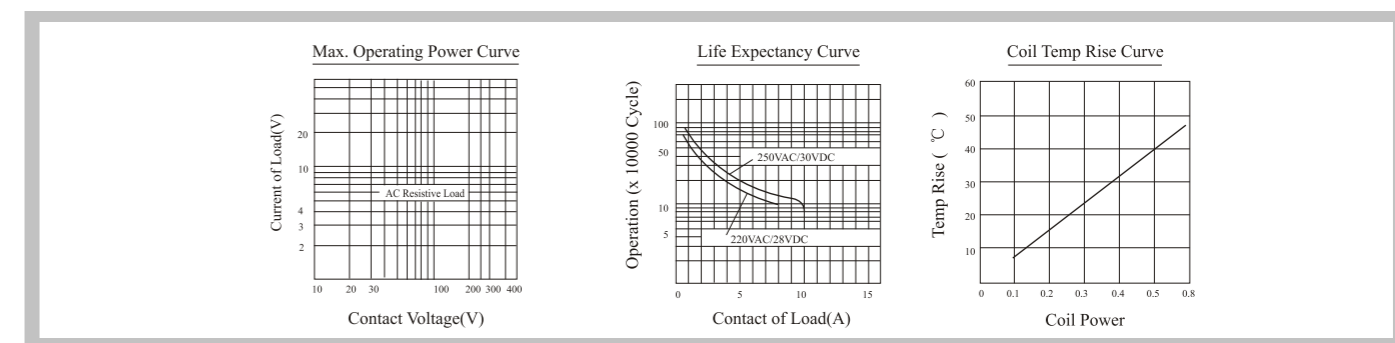
Coil Ratings

Nominal Coil Power	0.55W
--------------------	-------

Mounting Dimension

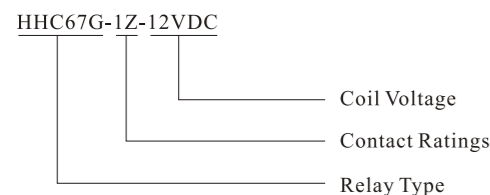


Reference Data



HHC67G(JD19.29)

Ordering Code



Contact Ratings

Contact Ratings	1H, 1Z, 1D
Contact Resistance	≤50mΩ (1A 24VDC)
Contact Material	Silver Alloy
Contact Capacity	30A 12VDC/20A 24VDC

Specification

Insulation Resistance	100MΩ 500VDC
Dielectric Strength (1mA)	B.C.C 1500VAC/1Min
	B.O.C 1000VAC/1Min
Operate Time	Pull-in ≤15ms
	Release ≤10ms
Terminal Type	P.C.B
Packing Info	Ctn:400pcs/ G.W:15kg
	Carton:385×190×300mm N.W:14kg

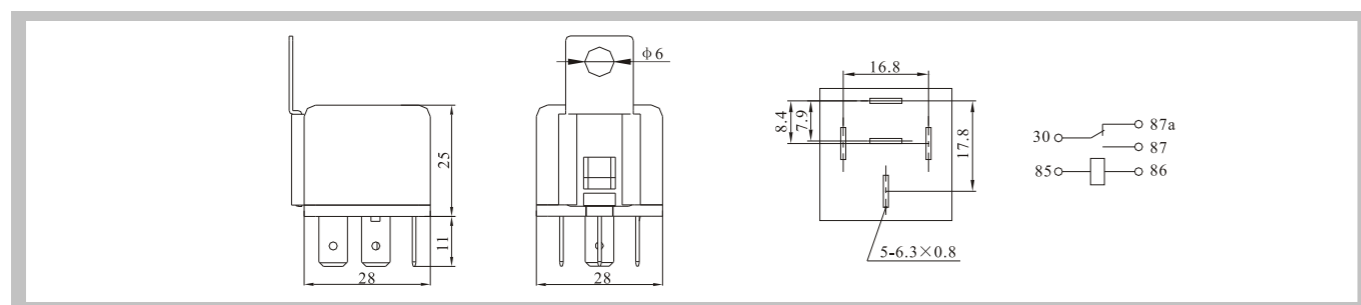
Coil Versions

Nominal Voltage VDC	Pull-in Voltage VDC	Release Voltage VDC	Coil Resistance Ω:±10%
12	≤9	≥1.2	80
24	≤18	≥2.4	320

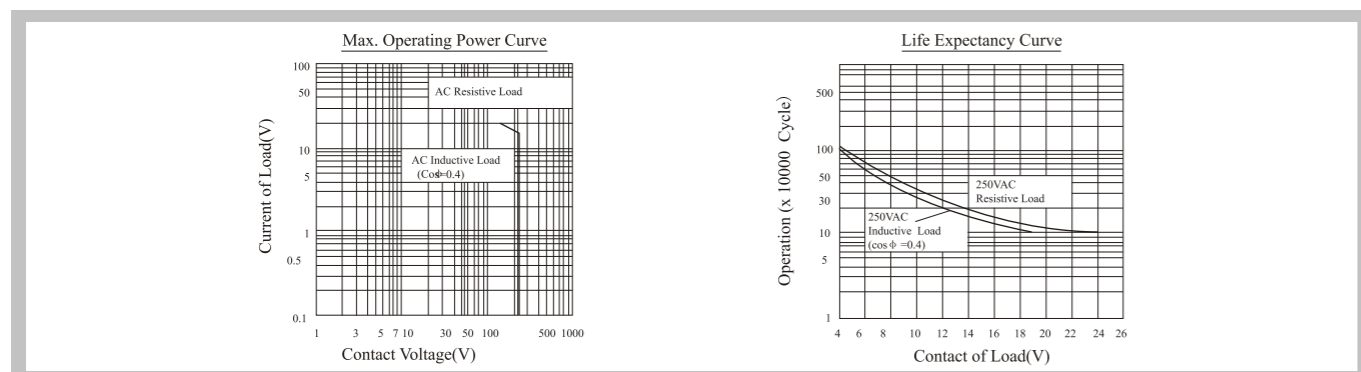
Coil Ratings

Nominal Coil Power	1.8W
--------------------	------

Mounting Dimension



Reference Data





HHC68A-1Z(LY1) HHC68A-3Z(LY3) HHC68A-2Z(LY2) HHC68A-4Z(LY4)



Ordering Code

HHC68A-1Z-12VDC

Coil Voltage
Contact Ratings
Relay Type

Contact Ratings

Contact Ratings	1Z, 1H 2Z, 2H 3Z, 4H 4Z, 4H
Contact Resistance	≤50mΩ (1A 24VDC)
Contact Material	Silver Alloy
Contact Capacity	1Z:15A 220VAC/28VDC 2Z3Z4Z:10A 220VAC/28VDC

Coil Versions

Nominal Voltage VDC	Pull-in Voltage VDC	Release Voltage VDC	Coil Resistance Ω: ±10%		
			1Z, 2Z	3Z	4Z
5	≥3.75	≤0.5	28	18	17
6	≥4.5	≤0.6	40	26	24
12	≥9	≤1.2	160	100	96
48	≥36	≤4.8	2560	1645	1536
110	≥82.5	≤11	13400	8640	8000

Nominal Voltage VAC	Pull-in Voltage VAC	Release Voltage VAC	Coil Resistance Ω: ±10%		
			1Z, 2Z	3Z	4Z
6	≥4.8	≤1.8	10.5	5	4
9	≥7.2	≤2.7	23.6	11.3	9
12	≥9.6	≤3.6	42	20	16
18	≥14.4	≤5.4	94.5	45	35
24	≥19.2	≤7.2	168	81	63
36	≥28.8	≤10.8	380	182	142
48	≥38.4	≤14.4	672	322	252
110	≥88	≤33	3530	1694	1323
127	≥11.6	≤38.1	4700	2258	1760
220	≥176	≤66	14100	6770	5290
380	≥304	≤114	42000	20200	14000

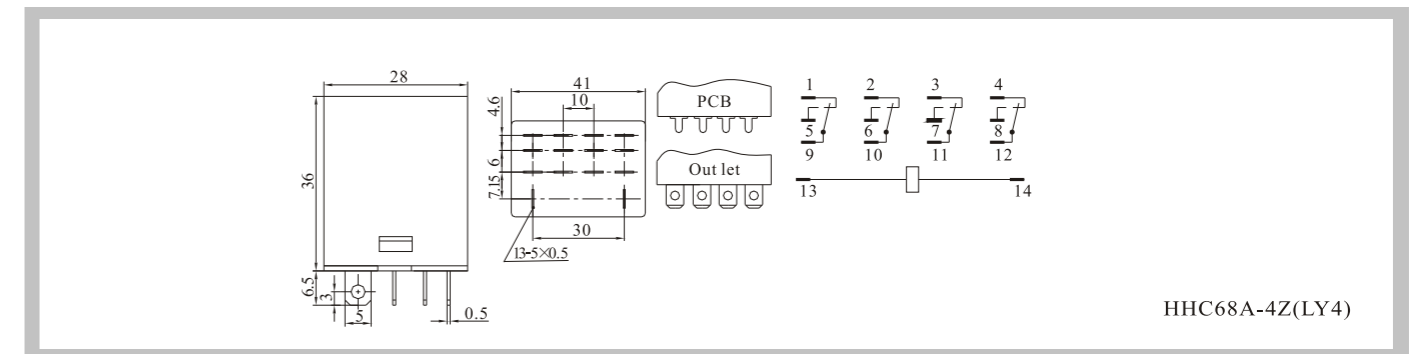
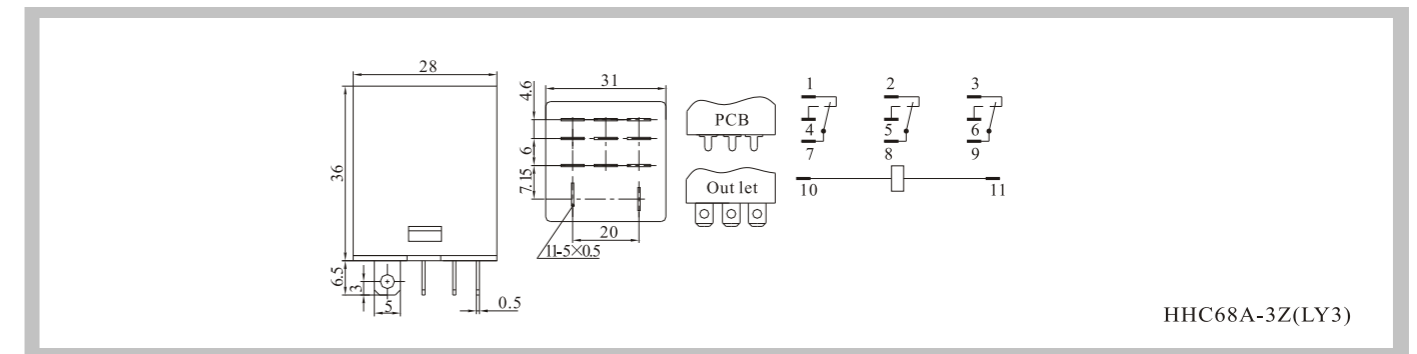
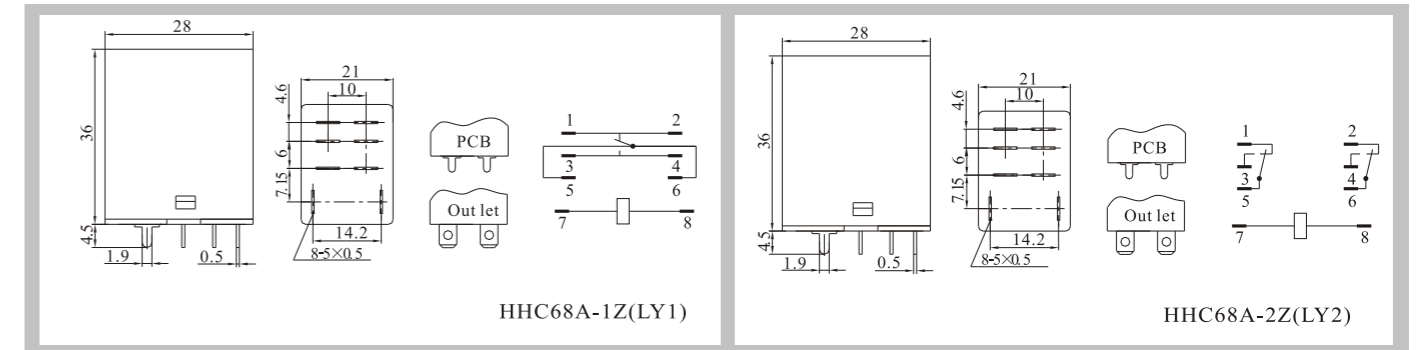
Specification

Insulation Resistance	100MΩ	500VDC
Dielectric Strength (1mA)	B.C.C	1500VAC/1Min
	B.O.C	1000VAC/1min
	B.C.S	1500VAC/1Min
Operate Time	Pull-in	≤25ms
	Release	≤25ms
Terminal Type	P.C.B & Socket	
Packing Info	Ctn:400pcs/ G.W:15kg	
	Carton:385×190×300mm N.W:14kg	

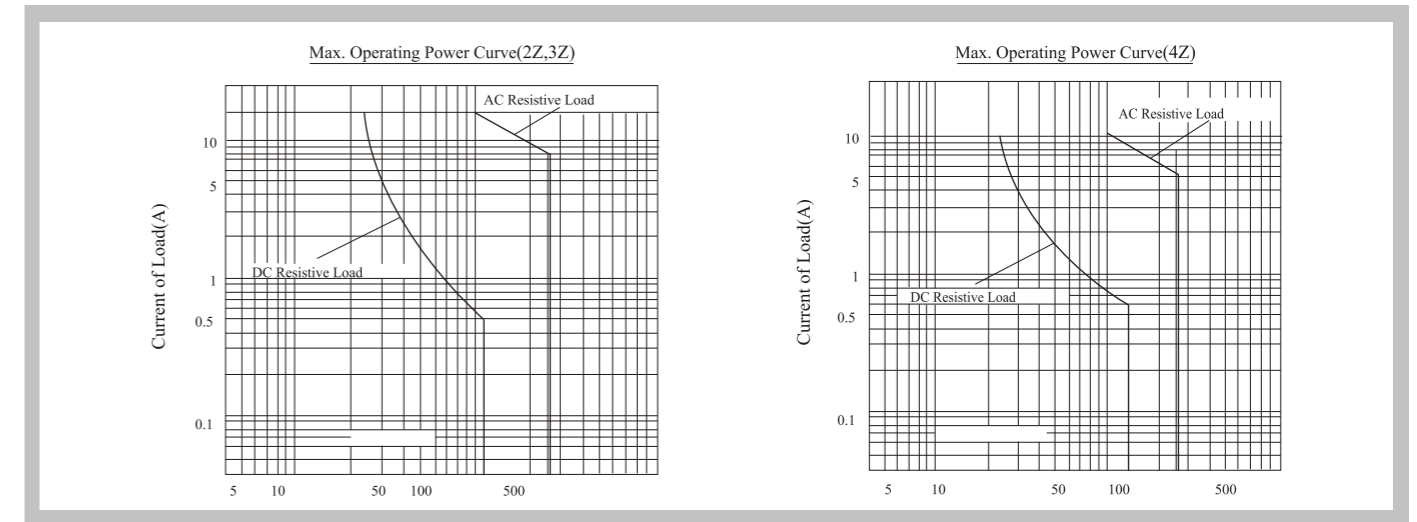
Coil Ratings

Nominal Coil Power	1Z, 2Z: 0.9W, 1.2VA 3Z: 1.4W, 2.5VA 4Z: 1.5W, 3.2VA
--------------------	---

Dimension & Bottom View



Reference Data



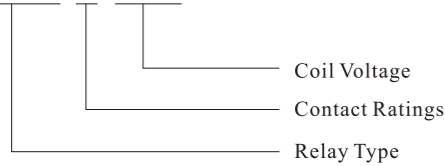


HHC68B-2Z(HH52P) HHC68B-4Z(HH54P) HHC68B-3Z(HH53P)



Ordering Code

HHC68B-3Z-220VAC



Specification

Insulation Resistance	100MΩ 500VDC
Dielectric Strength (1mA)	B.C.C 1500VAC
	B.O.C 1000VAC
	B.C.S 1200VAC
Operate Time	Pull-in ≤20ms
	Release ≤25ms
Terminal Type	P.C.B & Socket

Coil Ratings

Nominal Coil Power	0.9W, 1.2VA
--------------------	-------------

Contact Ratings

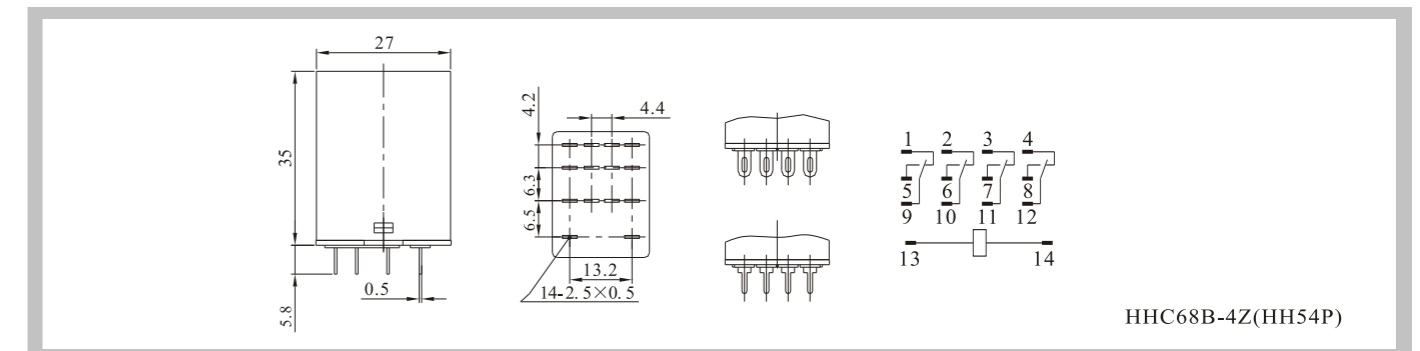
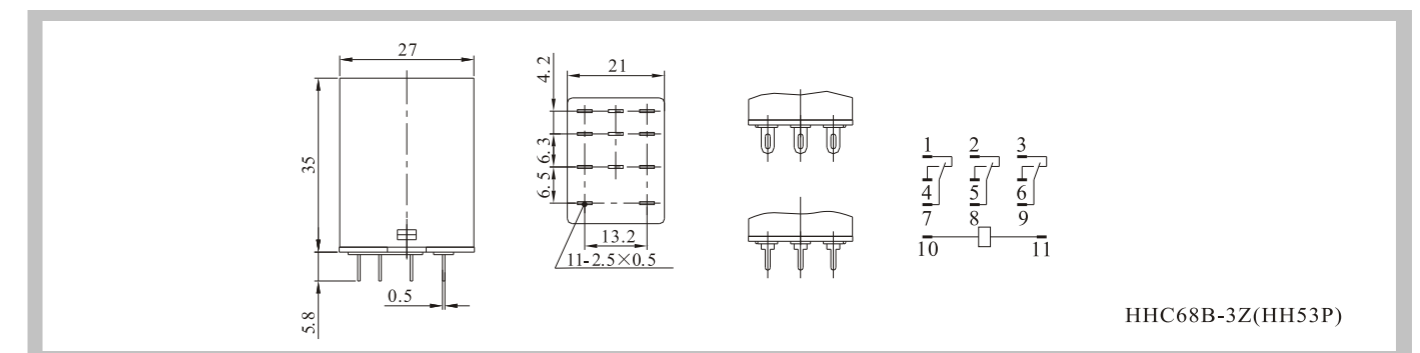
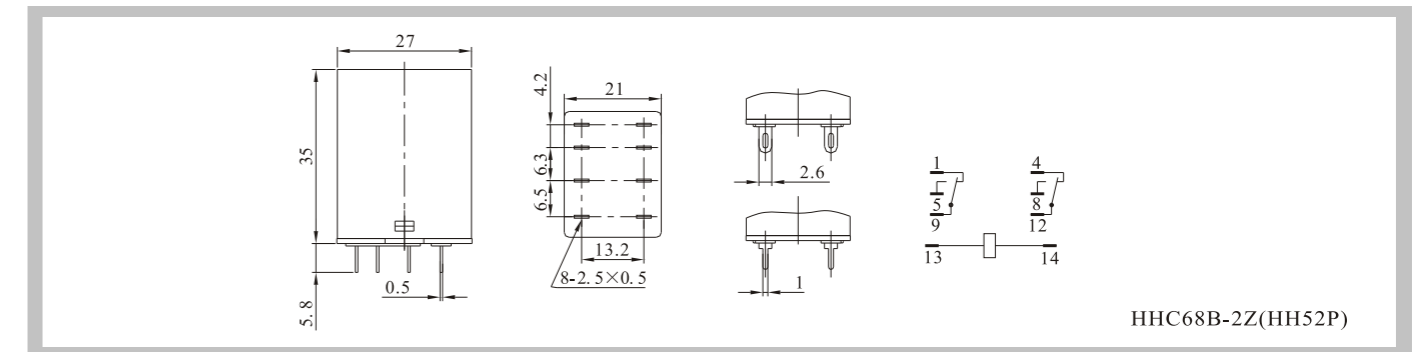
Contact Ratings	2Z	3Z	4Z
Contact Resistance	≤50mΩ (1A 24VDC)		
Contact Material	Silver Alloy		
Contact Capacity	5A, 7A/220VAC 3A, 5A/220VAC 30VDC		

Coil Versions

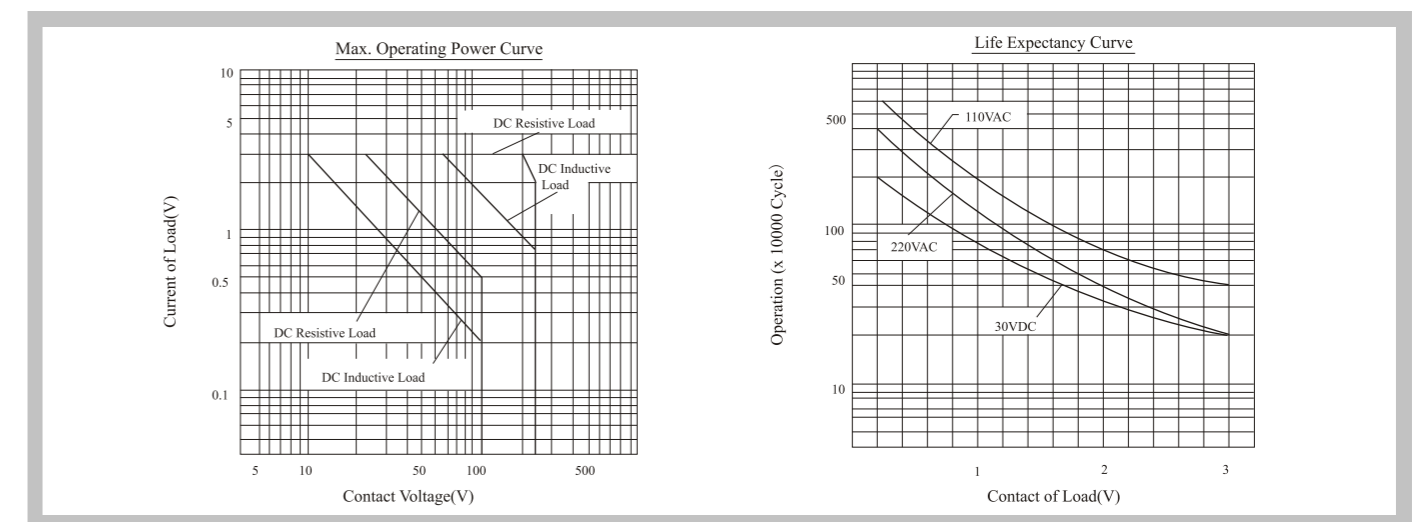
Nominal Voltage VDC	Pull-in Voltage VDC	Release Voltage VDC	Coil Resistance Ω:±10%
5	≤3.75	≥0.5	28
6	≤4.5	≥0.6	40
12	≤9	≥1.2	160
24	≤18	≥2.4	640
48	≤36	≥4.8	2560
110	≤82.5	≥11	12100

Nominal Voltage VAC	Pull-in Voltage VAC	Release Voltage VAC	Coil Resistance Ω:±10%
6	≤4.8	≥1.8	10.5
9	≤7.2	≥2.7	23.6
12	≤9.6	≥3.6	42
18	≤14.4	≥5.4	94.5
24	≤19.2	≥7.2	168
36	≤28.8	≥10.8	380
48	≤38.4	≥14.4	672
110	≤88	≥33	3530
127	≤11.6	≥38.1	4700
220	≤176	≥66	14100
380	≤304	≥114	42000

Dimension & Bottom View



Reference Data





HHC70A-2Z

(JQX-10F-2Z、JTX-2C)

HHC70A-3Z

(JQX-10F-3Z、JTX-3C)

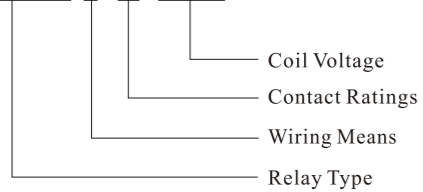
HH C70B¹/₂-2Z(MK2P-1/S)

HHC70B¹/₂-3Z(MK3P-1/S)



Ordering Code

HHC70A(B) 1 -2Z-220VAC



Specification

Insulation Resistance	500MΩ	500VDC
Dielectric Strength (1mA)	B.C.C	1500VAC
	B.O.C	1200VAC
Operate Time	Pull-in	≤20ms
	Release	≤20ms
Terminal Type	Plug	

Coil Ratings

Nominal Coil Power	2W/3.5VA
--------------------	----------

Contact Ratings

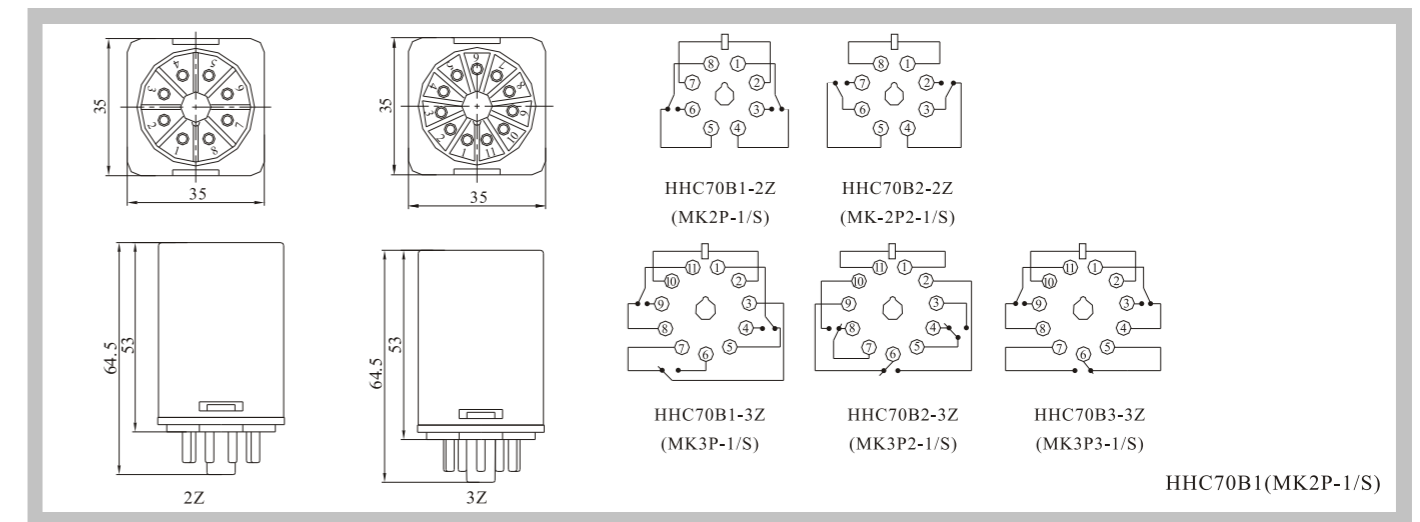
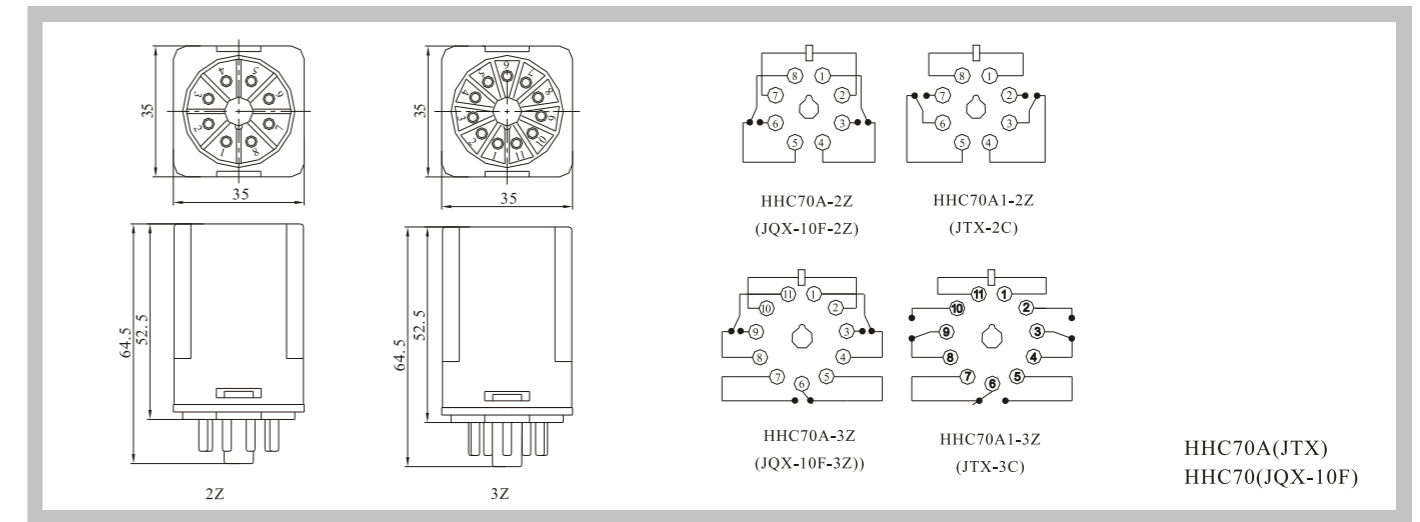
Contact Ratings	2Z、3Z
Contact Resistance	≤50mΩ (1A 24VDC)
Contact Material	Silver Alloy
Contact Capacity	10A 250VAC/30VDC

Coil Versions

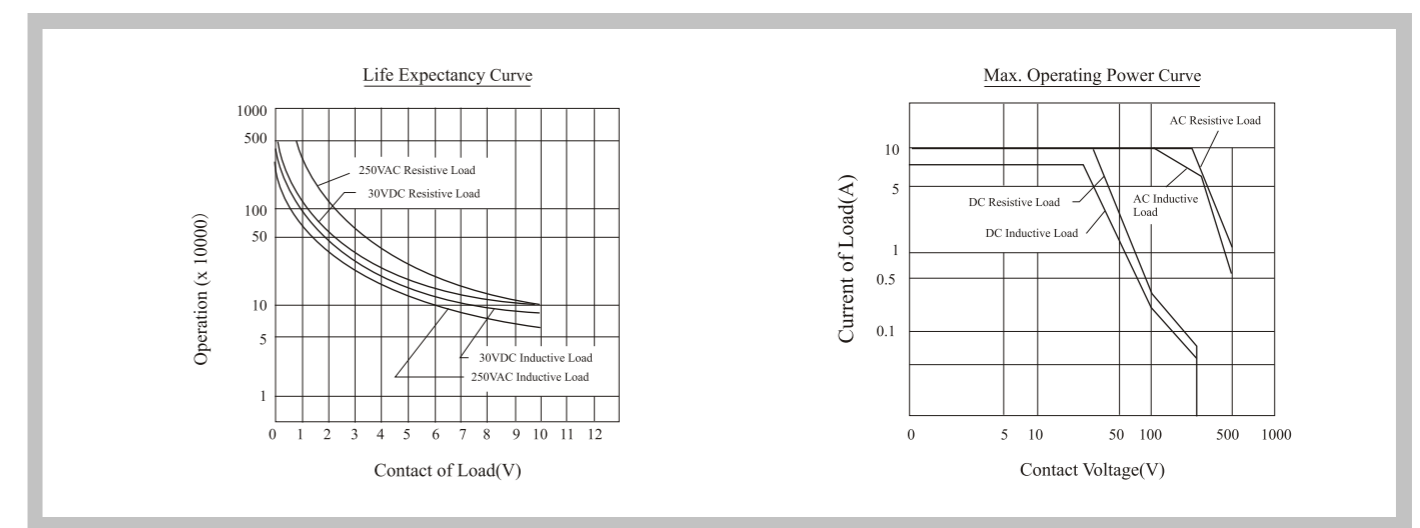
Nominal Voltage VDC	Pull-in Voltage VDC	Release Voltage VDC	Coil Resistance Ω: ±10%
6	≤4.5	≥0.6	18
12	≤9	≥1.2	72
24	≤18	≥2.4	288
48	≤36	≥4.8	1152
100	≤75	≥10	5000
110	≤82.5	≥11	6050

Nominal Voltage VAC	Pull-in Voltage VAC	Release Voltage VAC	Coil Resistance Ω: ±10%
6	≤4.8	≥1.8	3.6
9	≤7.2	≥2.7	8.1
12	≤9.6	≥3.6	14.4
18	≤14.4	≥5.4	32.4
24	≤19.2	≥7.2	57.6
36	≤28.8	≥10.8	129.6
48	≤38.4	≥14.4	230.4
110	≤88	≥33	1210
127	≤11.6	≥38.1	1600
220	≤176	≥66	4840
380	≤304	≥114	14400

Dimension & Bottom View



Reference Data

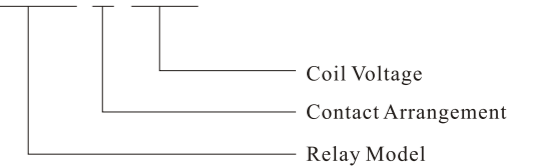


HHC68F(JQX-29F)



Ordering Code

HHC68F-1C-12VDC



Contact Spec.

Contact Arrangement	1A, 1B, 1C	2A, 2B, 2C
Contact Resistance	≤50mΩ (1A 24VDC)	
Contact Material	Silver Alloy	
Contact Capacity	20A/30A	250VAC/30VDC

Specification

Insulation Resistance	500MΩ 500VDC
Dielectric Strength (Leakage Current 1mA)	Between Coil & Contact 1500VAC/1m
	Between Contacts 1500VAC/1m
Operate Time	Pull-in Time ≤20ms
	Release Time ≤15ms
Terminal Type	Plug-in , Flange

Coil Data

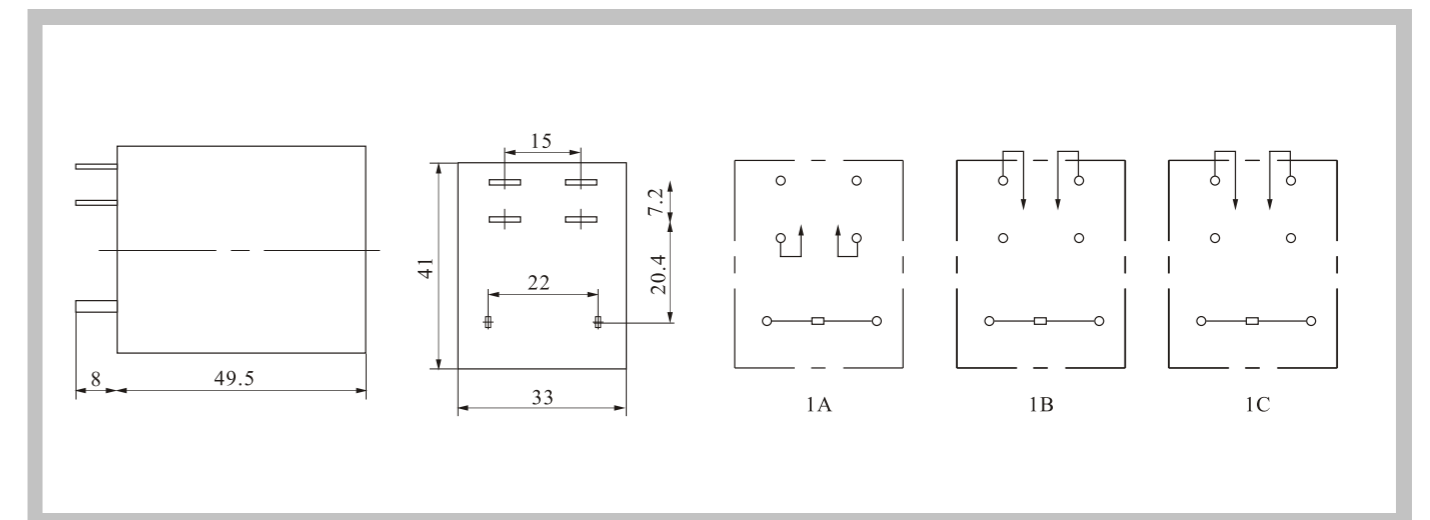
Nominal Coil Power	DC:3.0W, AC:4.5W
--------------------	------------------

Coil Data

Nominal Voltage VDC	Pull-in Voltage VDC	Release Voltage VDC	Coil Resistance Ω:±10%
6	≤4.5	≥0.6	12
9	≤6.75	≥0.9	27
12	≤9	≥1.2	48
18	≤13.5	≥1.8	108
24	≤18	≥2.4	192
48	≤36	≥4.8	768
60	≤45	≥6	1200
110	≤82.5	≥11	4040

Nominal Voltage VAC	Pull-in Voltage VAC	Release Voltage VAC	Coil Resistance Ω:±10%
6	≤4.8	≥1.6	2.8
9	≤7.2	≥2.7	6.3
12	≤9.6	≥3.6	11.2
18	≤14.4	≥5.4	25.2
24	≤19.2	≥7.2	44.8
48	≤38.4	≥14.4	179.2
60	≤99	≥33	941
110	≤198	≥66	2800

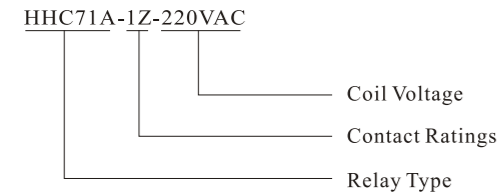
Dimension & Bottom View & Schematics





HHC71A(JQX-30F/JQX-12F) HHC71C1(JQX-40)

Ordering Code



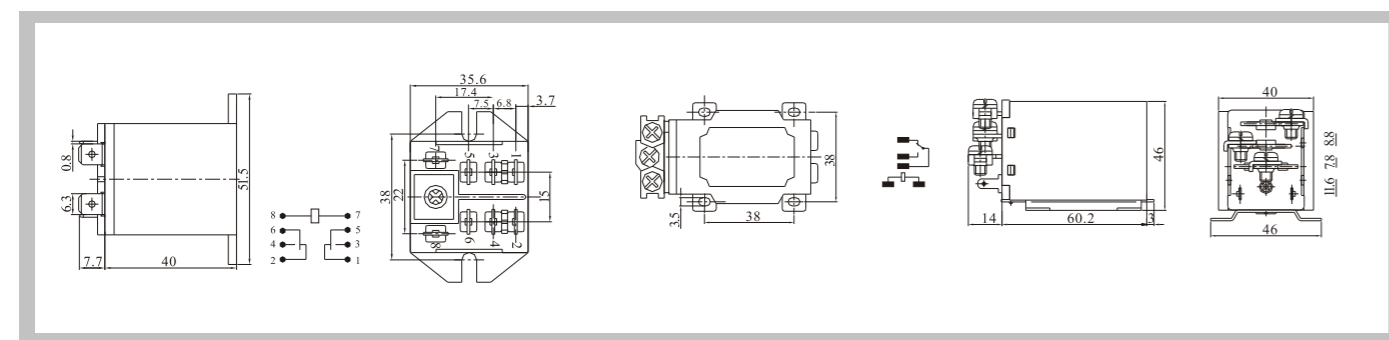
Contact Ratings

Contact Ratings	1Z, 1H, 1D, 2Z, 2H, 2D 1H, 1D, 1Z
Contact Resistance	≤50mΩ (1A 24VDC)
Contact Material	Silver Alloy
Contact Capacity	20A/30A 250VAC/30VDC 30A 250VA/24VDC

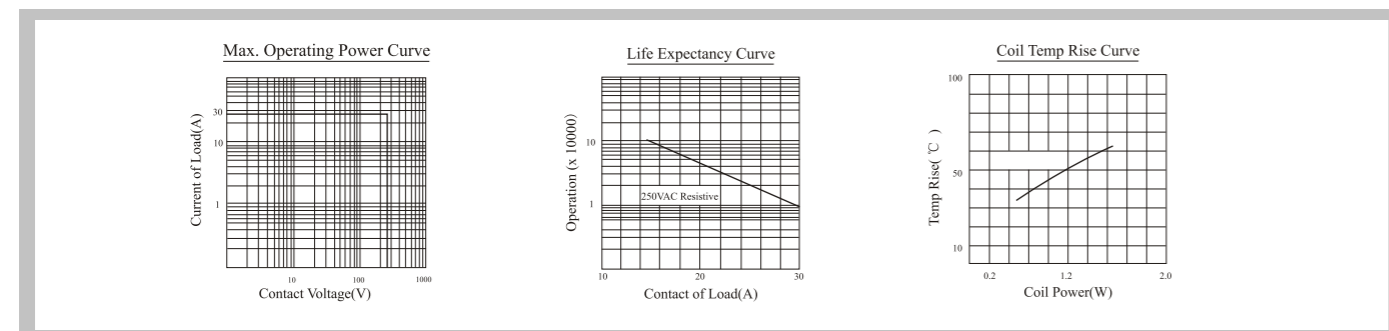
Coil Versions

Nominal Voltage VDC	Pull-in Voltage VDC	Release Voltage VDC	Coil Resistance Ω: ±10%
6	≤4.5	≥0.6	18
9	≤6.75	≥0.9	40.5
12	≤9	≥1.2	72
18	≤13.5	≥1.8	162
24	≤18	≥2.4	288
48	≤36	≥4.8	1125
60	≤45	≥6	1800
110	≤82.5	≥11	6050

Mounting Dimension



Reference Data



Specification

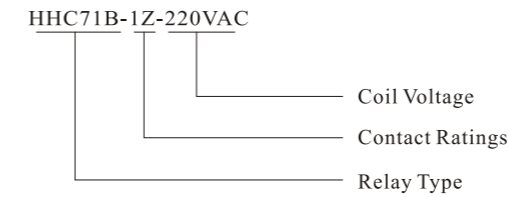
Insulation Resistance	500MΩ 500VDC
Dielectric Strength (1mA)	B.C.C 2500VAC
	B.O.C 1500VAC
Operate Time	Pull-in ≤20ms
	Release ≤15ms
Terminal Type	Plug-in, Flange

Coil Ratings

Nominal Coil Power		2W, 4VA	DC2.5W
Nominal Voltage VDC	Pull-in Voltage VDC	Release Voltage VDC	Coil Resistance Ω: ±10%
6	≤4.8	≥1.8	3.15
9	≤7.2	≥2.7	7.1
12	≤9.6	≥3.6	12.6
18	≤14.4	≥5.4	28.4
24	≤19	≥7.2	50.4
48	≤38.4	≥14.4	113
110	≤88	≥33	1100
220	≤176	≥66	4200

HHC71B(JQX-38F)

Ordering Code



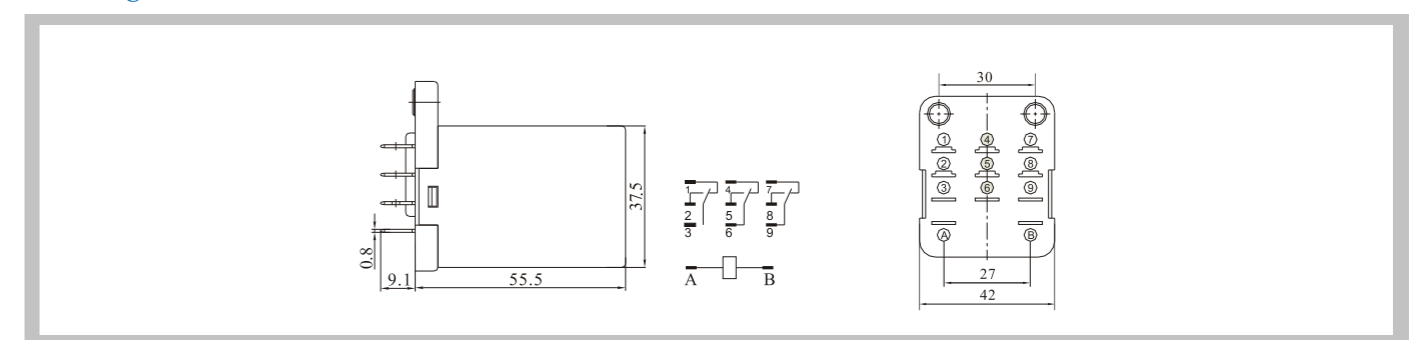
Contact Ratings

Contact Ratings	3Z, 3H, 3D
Contact Resistance	≤50mΩ (1A 24VDC)
Contact Material	Silver Alloy
Contact Capacity	30A/40A 250VAC/24VDC

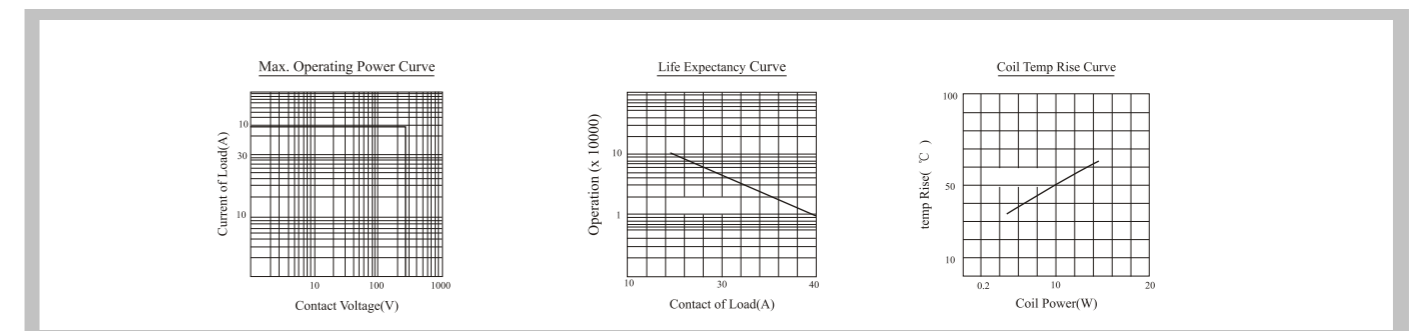
Coil Versions

Nominal Voltage VDC	Pull-in Voltage VDC	Release Voltage VDC	Coil Resistance Ω: ±10%
6	≤4.5	≥0.6	14.4
9	≤6.75	≥0.9	32.4
12	≤9	≥1.2	57.6
18	≤13.5	≥1.8	130
24	≤18	≥2.4	230
48	≤36	≥4.8	920
60	≤45	≥6	1440
110	≤82.5	≥11	4840

Mounting Dimension



Reference Data



Specification

Insulation Resistance	500MΩ 500VDC
Dielectric Strength (1mA)	B.C.C 2500VAC
	B.O.C 1500VAC
Operate Time	Pull-in ≤25ms
	Release ≤15ms
Terminal Type	Plug-in, Screw mounting

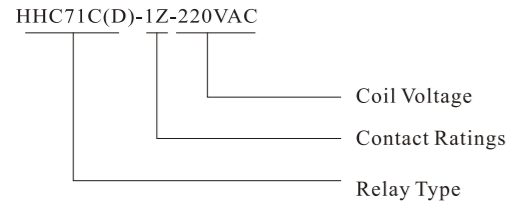
Nominal Voltage VDC	Pull-in Voltage VDC	Release Voltage VDC	Coil Resistance Ω: ±10%
6	≤4.8	≥1.8	2.3
9	≤7.2	≥2.7	5.2
12	≤9.6	≥3.6	9.2
18	≤14.4	≥5.4	20.6
24	≤19	≥7.2	36.7
48	≤38.4	≥14.4	147
110	≤88	≥33	770
220	≤176	≥66	3080

Nominal Coil Power	2.5W, 5.5VA
--------------------	-------------



HHC71C-1Z(JQX-40F) HHC71G1(JQX-58F)

Ordering Code



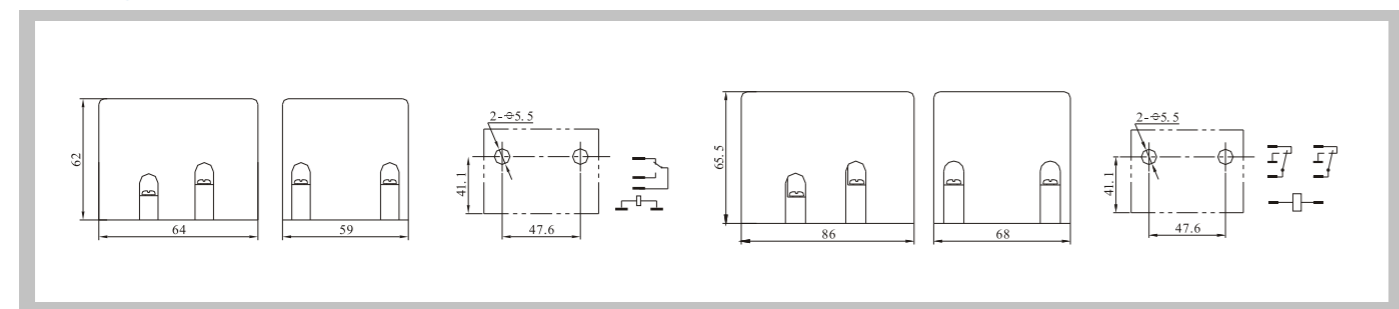
Contact Ratings

Contact Ratings	1Z, 1H, 1D, 2Z, 2H, 2D 1H, 1D, 1Z
Contact Resistance	≤50mΩ (1A 24VDC)
Contact Material	Silver Alloy
Contact Capacity	40F-1Z 50A 250VAC/24VDC
	58F-1Z 60A 250VAC/24VDC
	40F-2Z 40A 250VAC/24VDC

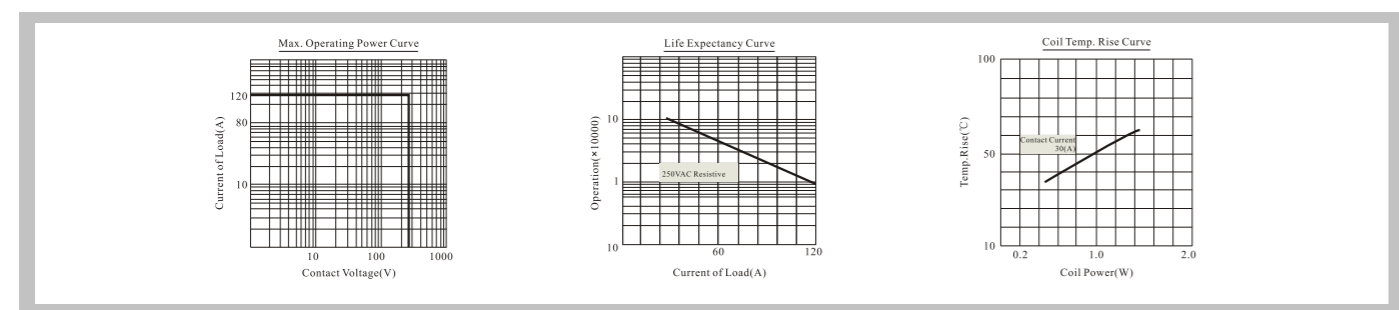
Coil Versions

Nominal Voltage VDC	Pull-in Voltage VDC	Release Voltage VDC	Coil Resistance Ω: ±10%
6	≤4.5	≥0.6	18
9	≤6.75	≥0.9	40.5
12	≤9	≥1.2	72
18	≤13.5	≥1.8	162
24	≤18	≥2.4	288
48	≤36	≥4.8	1125
60	≤45	≥6	1800
110	≤82.5	≥11	6050

Mounting Dimension



Reference Data



Specification

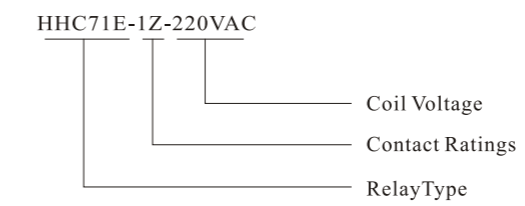
Insulation Resistance	500MΩ 500VDC
Dielectric Strength (1mA)	B.C.C 2500VAC
	B.O.C 1500VAC
Operate Time	Pull-in ≤25ms
	Release ≤25ms
Terminal Type	Screw Mounting
	Plug-in, Flange

Coil Ratings

Nominal Coil Power		DC:2W AC:6.5VA	
Nominal Voltage VDC	Pull-in Voltage VDC	Release Voltage VDC	Coil Resistance Ω: ±10%
6	≤4.8	≥1.8	2
9	≤7.2	≥2.7	4.4
12	≤9.6	≥3.6	7.8
18	≤14.4	≥5.4	17.5
24	≤19	≥7.2	31
48	≤38.4	≥14.4	124
110	≤88	≥33	650
220	≤176	≥66	2600

HHC71E(JQX-59F)

Ordering Code



Contact Ratings

Contact Ratings	1Z, 1H, 1D 2Z, 2H, 2D
Contact Resistance	≤50mΩ (1A 24VDC)
Contact Material	Silver Alloy
Contact Capacity	80A 250VAC/24VDC

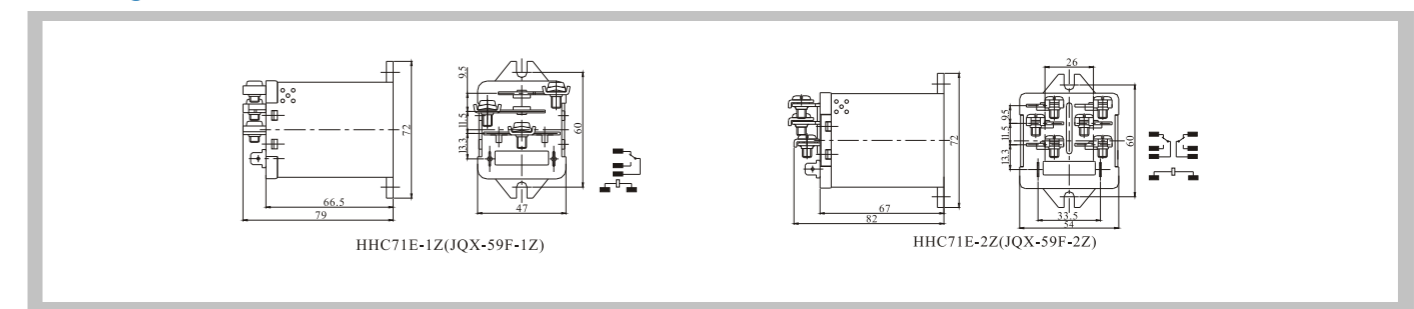
Coil Ratings

Nominal Coil Power	DC:3.6W, AC:10.5VA
--------------------	--------------------

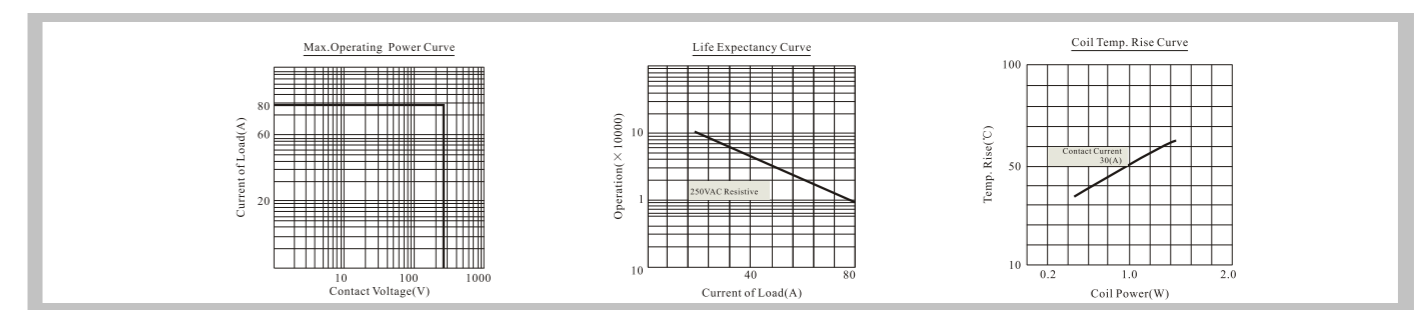
Coil Versions

Nominal Voltage VDC	Pull-in Voltage VDC	Release Voltage VDC	Coil Resistance Ω: ±10%
6	≤4.5	≥0.6	10
9	≤6.75	≥0.9	22.5
12	≤9	≥1.2	40
18	≤13.5	≥1.8	90
24	≤18	≥2.4	160
48	≤36	≥4.8	640
60	≤45	≥6	1000
110	≤82.5	≥11	3360

Mounting Dimension



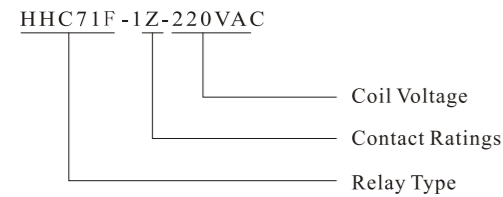
Reference Data





HHC71F-1Z(JQX-62F-1Z) HHC71F-2Z(JQX-62F-2Z)

Ordering Code



Contact Ratings

Contact Ratings	1Z, 1H, 1D	2Z, 2H, 2D
Contact Resistance	≤50mΩ (1A 24VDC)	
Contact Material	Silver Alloy	
Contact Capacity	100A 250VAC/24VDC	80A 250VAC/24VDC

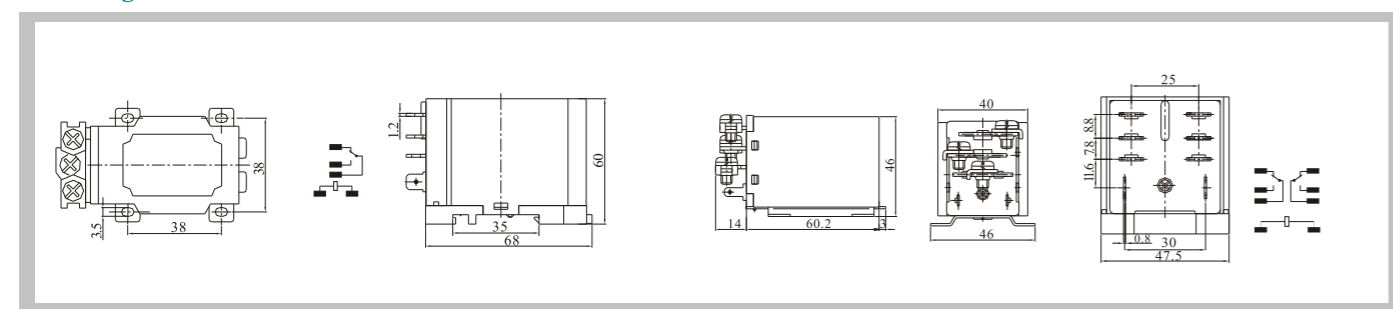
Coil Ratings

Nominal Coil Power	DC:2W, AC:17.5VA
--------------------	------------------

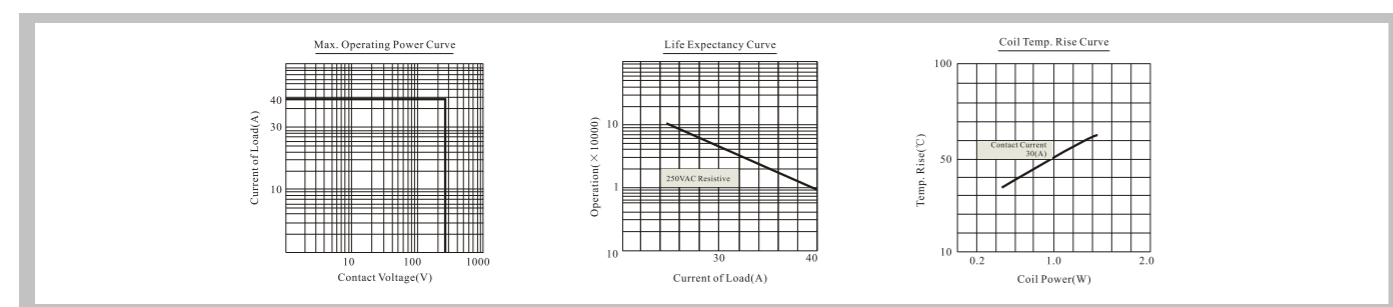
Coil Versions

Nominal Voltage VDC	Pull-in Voltage VDC	Release Voltage VDC	Coil Resistance Ω:±10%
6	≤4.5	≥0.6	18
9	≤6.75	≥0.9	40.5
12	≤9	≥1.2	72
18	≤13.5	≥1.8	162
24	≤18	≥2.4	288
48	≤36	≥4.8	1152
60	≤45	≥6	1800
110	≤82.5	≥11	6050

Mounting Dimension



Reference Data



备注: 原欣大HHC71E(JQX-60F)为HHC71C-1Z(JQX-40F-60安培)



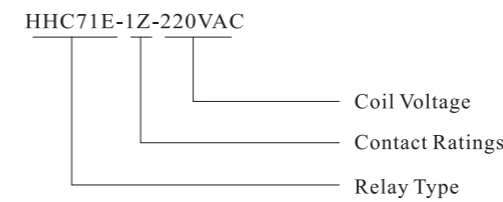
Specification

Insulation Resistance	500MΩ 500VDC
Dielectric Strength (1mA)	B.C.C 2500VAC
	B.O.C 1500VAC
Operate Time	Pull-in ≤25ms
	Release ≤25ms
Terminal Type	Screw Mounting

Nominal Voltage VDC	Pull-in Voltage VDC	Release Voltage VDC	Coil Resistance Ω:±10%
6	≤4.8	≥1.8	0.8
9	≤7.2	≥2.7	1.8
12	≤9.6	≥3.6	3
18	≤14.4	≥5.4	6.5
24	≤19	≥7.2	11.5
48	≤38.4	≥14.4	46
60	≤48	≥18	72
110	≤88	≥33	422
220	≤176	≥66	968
360	≤304	≥114	2888

HHC71-4(JQX-78F) For Electricity Power Vehicle

Ordering Code



Contact Ratings

Contact Ratings	3Z, 3H, 3D	1H, 1D, 1Z
Contact Resistance	≤50mΩ (1A 24VDC)	
Contact Material	Silver Alloy	
Contact Capacity	60A 250VAC/24VDC	

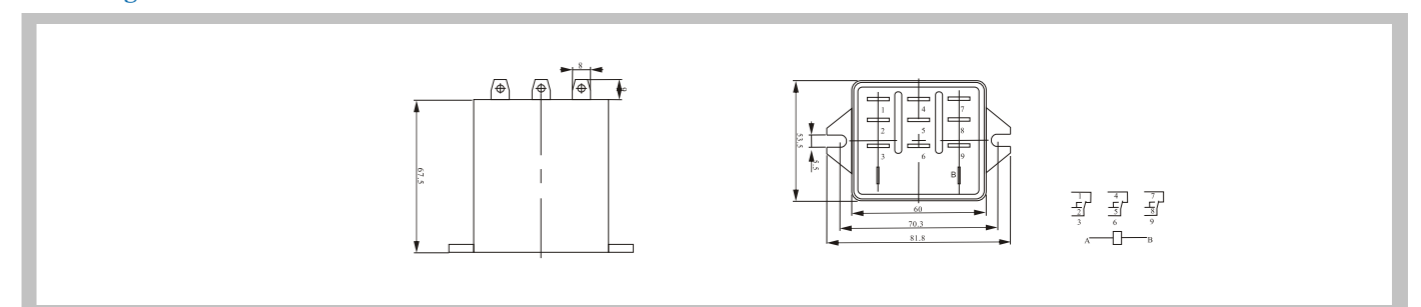
Coil Ratings

Nominal Coil Power	DC:2W AC:6.5VA
--------------------	----------------

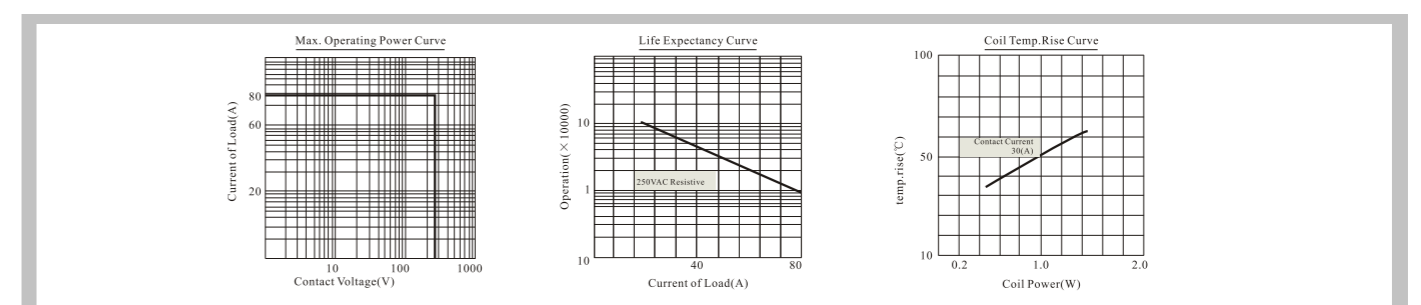
Coil Versions

Nominal Voltage VDC	Pull-in Voltage VDC	Release Voltage VDC	Coil Resistance Ω:±10%
6	≤4.5	≥0.6	10
9	≤6.75	≥0.9	22.5
12	≤9	≥1.2	40
18	≤13.5	≥1.8	90
24	≤18	≥2.4	160
48	≤36	≥4.8	640
60	≤45	≥6	1000
110	≤82.5	≥11	3360

Mounting Dimension



Reference Data



Specification

Insulation Resistance	500MΩ 500VDC
Dielectric Strength (1mA)	B.C.C 2500VAC
	B.O.C 1500VAC
Operate Time	Pull-in ≤25ms
	Release ≤25ms
Terminal Type	Flange

Nominal Voltage VAC	Pull-in Voltage VAC	Release Voltage VAC	Coil Resistance Ω:±10%
6	≤4.8	≥1.8	1.2
9	≤7.2	≥2.7	2.7
12	≤9.6	≥3.6	4.8
18	≤14.4	≥5.4	10.8
24	≤19	≥7.2	19.2
48	≤38.4	≥14.4	77
60	≤48	≥18	120
110	≤88	≥33	403
220	≤176	≥66	1620
380	≤304	≥114	4813

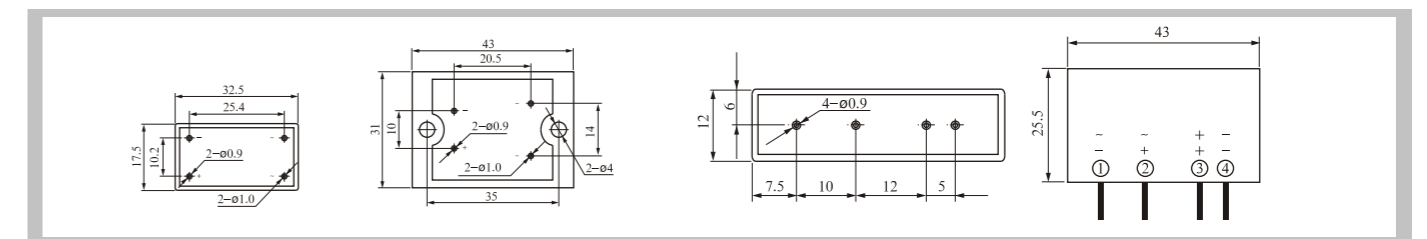
4 SOLID STATE RELAYS (S.S.R)



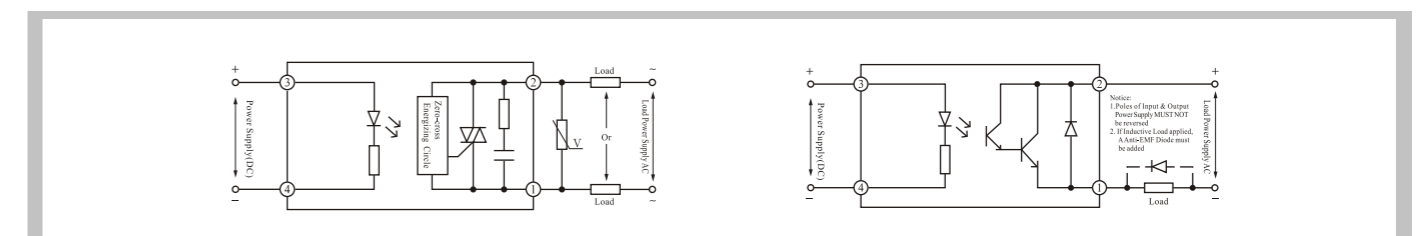
Specification

Model	HHG1-1/032F-22, 38 1A(SSR-DA)	HHG1-0/032F-06, 20 5A(SSR-DD)	HHG1-1/032F-22, 38 1-4A(SSR-DA)	HHG1-1/032F-22, 38 1-4A(SSR-DD)
Description	Miniature DIP	Miniature DIP	Miniature SIP	Miniature SIP
Controlling Voltage	3-14VDC 3-32VDC	3-14VDC 3-32VDC	3-14VDC 3-32VDC	3-14VDC 3-32VDC
Controlling Current	6-35mA	6-35mA	6-35mA	6-35mA
Make-on Voltage	3VDC	3VDC	3VDC	3VDC
Break-off Voltage	1VDC	1VDC	1VDC	1VDC
Reverse Voltage	32VDC	32VDC	32VDC	32VDC
Load Voltage	30-240VAC 40-440VAC	60V, 110V, 200VDC	30-240VAC 40-440VAC	60VDC, 110VDC, 200VDC
Load Current	1A	5A	1A, 2A, 3A, 4A	1A, 2A, 3A, 4A
Instant Voltage	22, 600VAC 38, 900VAC	06-100VDC 20-220VDC	22, 600VAC 38, 900VAC	06-100VDC 20-220VDC
Voltage Drop in On	<1.6VAC	<1.2VDC	<1.6VAC	<1.2VDC
On-off Time	≤10mS	≤5mS	≤10mS	≤5mS
Leakage Current in Off	≤10mA	≤5mA	≤10mA	≤5mA
Dielectric Strength	≥1500VAC	≥1500VAC	≥1500VAC	≥1500VAC
Insulation Resistance	500MΩ 500VDC	500MΩ 500VDC	500MΩ 500VDC	500MΩ 500VDC
Ambient Temp.	-30~80°C	-30~80°C	-30~80°C	-30~80°C
Dimensions	32.5L×17.5W×17.6H	43L×31W×20H	43L×25.5W×12H	43L×25.5W×12H
Indicate Methods	—	—	—	—
Mounting Type	PCB	PCB	PCB	PCB
Weight	≤17g	≤78g	≤22g	≤22g
Remarks	Used in Air-conditioner, Cash-beltng Machine and other electrical appliance			

Mounting Dimension



Wire Diagram

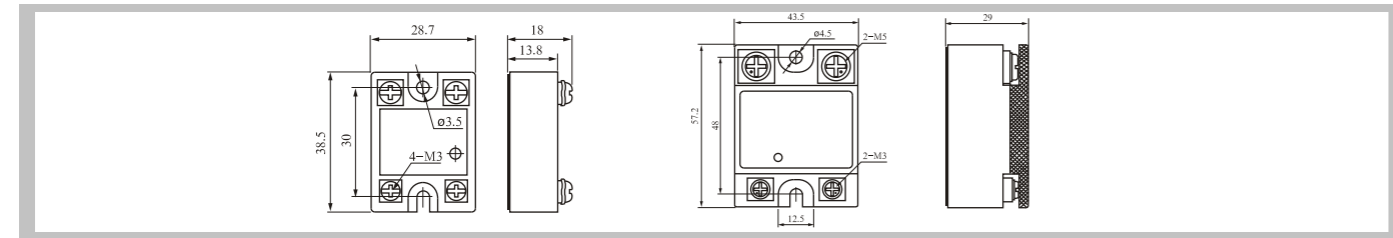




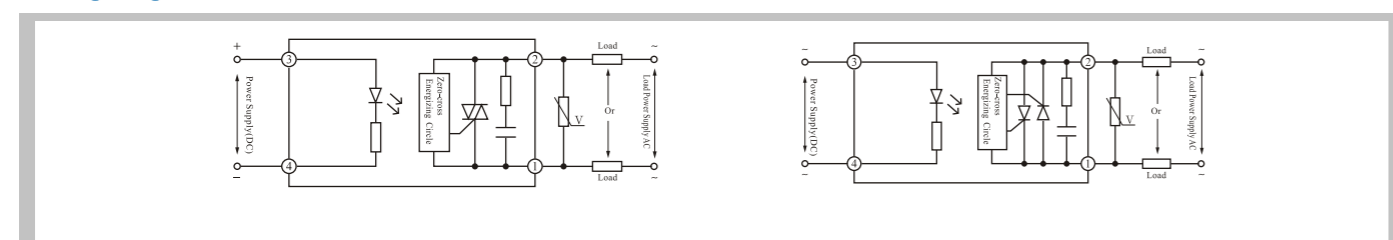
Specification

Model	HHG5-1/032F-22, 38 5-15A(SSR-DA)	HHG1-1/032F-22, 38 10-80A(SSR-DA)	HHG5-1/032F-38, 120 60-120A(SSR-DA)
Description	Single Phase S.S.R	Single Phase S.S.R	1-Phase Thyristor Anti-Parallel S.S.R
Controlling Voltage	3-14VDC 3-32VDC	3-14VDC 3-32VDC	3-32VDC
Controlling Current	6-35mA	6-35mA	6-25mA
Make-on Voltage	3VDC	3VDC	3VDC
Break-off Voltage	1VDC	1VDC	1VDC
Reverse Voltage	32VDC	32VDC	32VDC
Load Voltage	30-240VAC 40-440VAC	30-240VAC 40-440VAC	40-440VAC 40-1200VAC
Load Current	5A, 10A, 15A	10, 15, 20, 25, 30, 40, 60, 80A	60, 80, 100, 120A
Instant Voltage	22, 600VAC 38, 900VAC	22, 600VAC 38, 900VAC	38, 900VAC 120, 1600VAC
Voltage Drop in On	<1.6VAC	<1.6VAC	<1.6VAC
On-off Time	≤10mS	≤10mS	≤10mS
Leakage Current in Off	≤10mA	≤10mA	≤10mA
Dielectric Strength	≥2500VAC	≥2500VAC	≥2500VAC
Insulation Resistance	500MΩ 500VDC	500MΩ 500VDC	500MΩ 500VDC
Ambient Temp.	-30~80°C	-30~80°C	-30~80°C
Dimensions	32.5L×28W×18H	57.2L×43.5W×29H	57L×43.5W×29H
Indicate Methods	LED	LED	LED
Mounting Type	Screw Fixing	Screw Fixing	Screw Fixing
Weight	≤30g	10A≤110 40A≤145g 80A≤150g	60A≤135g 80A≤140g 120A≤145g
Remarks	1. Load >10A, need mounting radiator ; Load >80A, need mounting Cooling Fan or Cooling Water Sys. 2. For inductive Load, Pls mount a Varistor on output terminal.		

Mounting Dimension



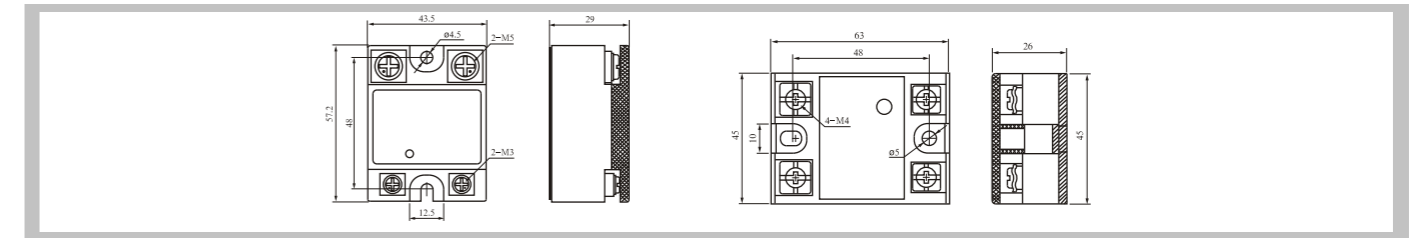
Wiring Diagram



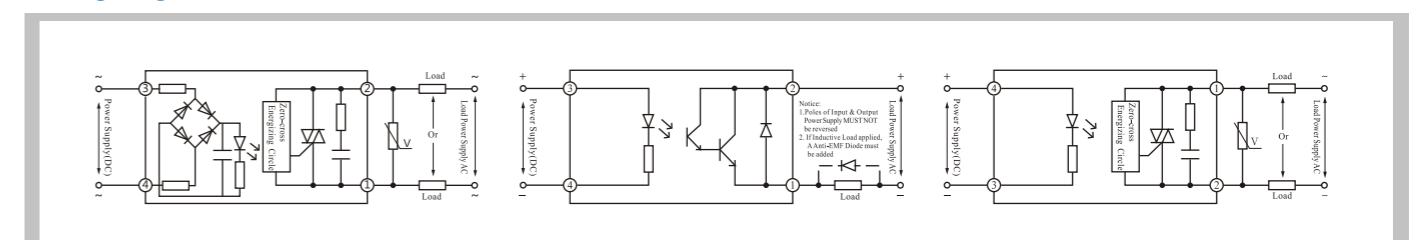
Specification

Model	HHG1-1/250F-22, 38 10-80A(SSR-AA)	HHG1-0/032F-20 10-40A(SSR-DD)	HHG2-1/032F-22, 38 10-80A(SSR-DA)
Description	Single Phase S.S.R	Single Phase S.S.R	Single Phase S.S.R
Controlling Voltage	90-250VAC	5-32VDC	3-14VDC 3-32VDC
Controlling Current	5-30mA	6-35mA	6-35mA
Make-on Voltage	90VDC	5VDC	3VDC
Break-off Voltage	10VDC	1VDC	1VDC
Reverse Voltage	—	32VDC	32VDC
Load Voltage	30-240VAC 40-440VAC	12-250VDC	30-240VAC 40-440VAC
Load Current	10, 15, 20, 25, 30, 40, 60, 80A	10, 15, 20, 25, 40A	10, 15, 20, 25, 30, 40, 60, 80A
Instant Voltage	22, 600VAC 38, 900VAC	20-400VDC	22, 600VAC 38, 900VDC
Voltage Drop in On	<1.6VAC	<1.2VDC	<1.6VAC
On-off Time	≤10mS	≤5mS	≤10mS
Leakage Current in Off	≤10mA	≤5mA	≤10mA
Dielectric Strength	≥2500VAC	≥2500VAC	≥2500VAC
Insulation Resistance	500MΩ 500VDC	500MΩ 500VDC	500MΩ 500VDC
Ambient Temp.	-30~80°C	-30~80°C	-30~80°C
Dimensions	57.2L×43.5W×29H	57.2L×43.5W×29H	63L×45W×26H
Indicate Methods	LED	LED	LED
Mounting Type	Screw Fixing	Screw Fixing	Screw Fixing
Weight	10A≤110g 40A≤145g 80A≤150g	10A≤110g 20A≤140g 40A≤145g	10A≤130g 20A≤135g 40A≤145g
Remarks	1. Load >10A, need mounting radiator ; Load >80A, need mounting Cooling Fan or Cooling Water Sys. 2. For inductive Load, Pls mount a Varistor on output terminal.		

Mounting Dimension



Wiring Diagram





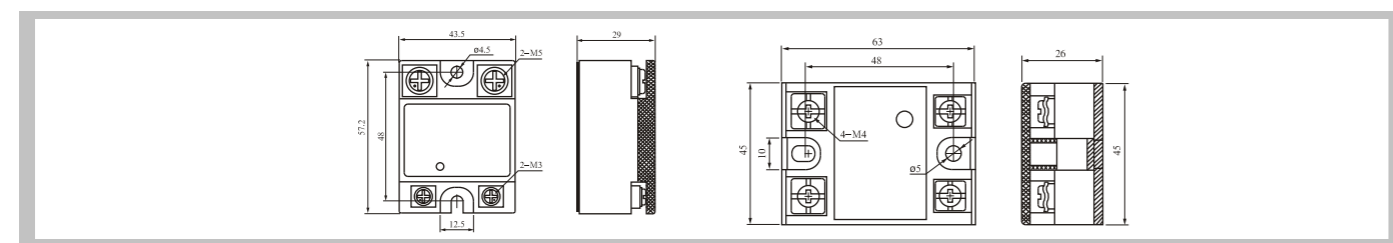
SOLID STATE RELAYS (S.S.R)



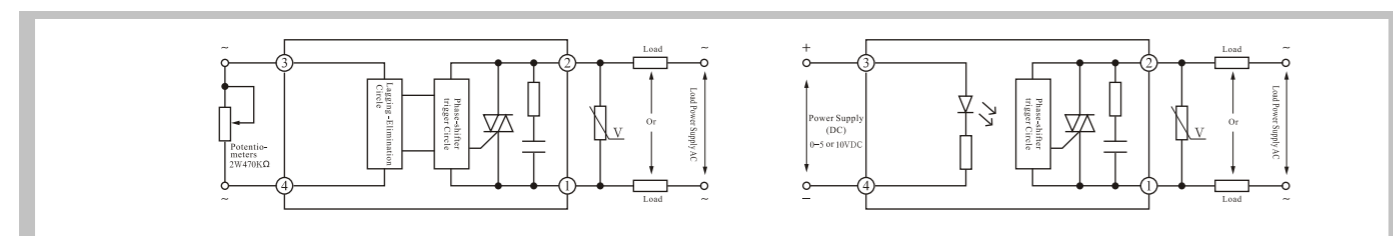
Specification

Model	HHT1-R/22, 38 10-40A(SSR-VA)	HHT2-R/22, 38 60-80A(SSR-VA)	HHT2-U/22 10-40A(SSR-VA)
Description	Single Phase Regulator	Single Phase Regulator	Single Phase Regulator
Controlling Method	2W470-560K Ω by Potentiometers	2W470-560K Ω by Potentiometers	0-5VDC / 0-10VDC
Load Voltage	220VAC 380VAC	220VAC 380VAC	220VAC
Regulate Range	10-250VAC 10-440VAC	10-250VAC 10-440VAC	10-250VAC
Isolation Voltage	No Isolation	No Isolation	Full Isolation
Leakage Current in Off	≤10mA	≤10mA	≤10mA
Output Current	10, 15, 20, 25, 30, 40A	60, 80A	10, 15, 20, 30, 40A
Instant Voltage	22, 600VAC 38, 900VAC	22, 600VAC 38, 900VAC	22, 600VAC
Voltage Drop in On	<3VAC	<3VAC	<3VAC
Dielectric Strength	≥2500VAC Output Terminal & Cooling Plate	≥2500VAC Output Terminal & Cooling Plate	≥2500VAC
Insulation Resistance	500MΩ 500VDC	500MΩ 500VDC	500MΩ 500VDC
Ambient Temp.	-30~80°C	-30~80°C	-30~80°C
Dimensions	57.2L×43.5W×29H	63L×45W×26H	63L×45W×26H
Indicate Methods	LED	LED	LED
Mounting Type	Screw Fixing	Screw Fixing	Screw Fixing
Weight	10A≤110g 40A≤145g	≤145g	10A≤130g 20A≤135g 40A≤145g
Remarks	1. Load >10A, need mounting radiator; Potentiometer should have insulation knob and shell. 2. 0-5(10)VDC manual or Automatic adjustable.		

Mounting Dimension



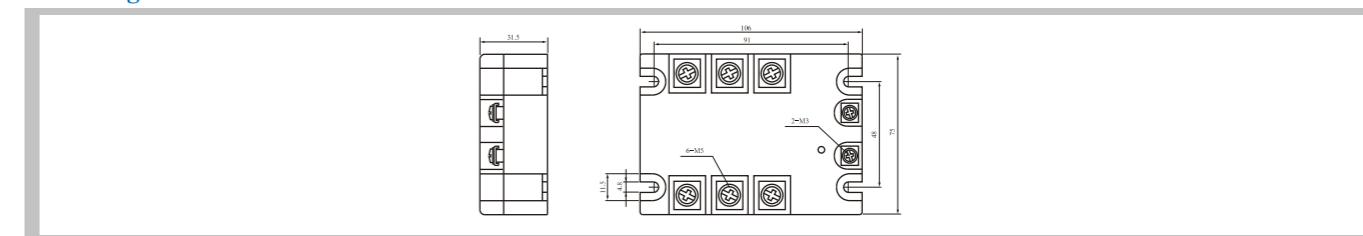
Wiring Diagram



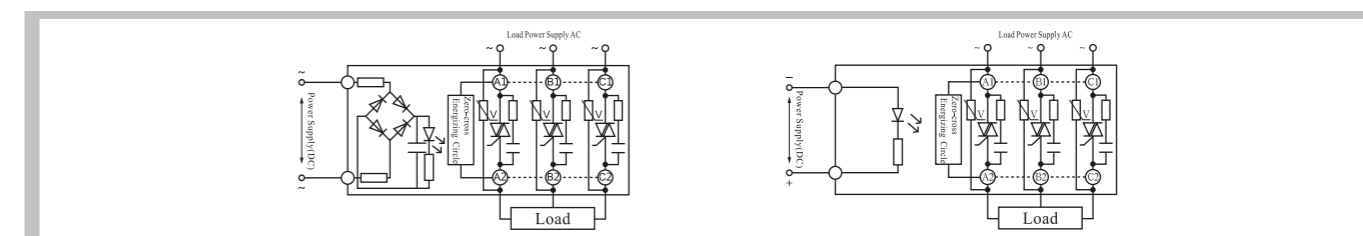
Specification

Model	HHG1-3/032F-38 10-120A (SSR-DA)	HHG1-3/250F-38 10-80A (SSR-AA)	HHG1-3/005F-38 10-40A (SSR-DA)
Description	Three Phase S.S.R	Three Phase S.S.R	Three Phase S.S.R
Controlling Voltage	3-14VDC 3-32VDC	90-250VDC	5VDC 10VDC
Controlling Current	5-25mA	5-30mA	8-20mA
Make-on Voltage	3VDC	90VDC	4.5VDC 9.5VDC
Break-off Voltage	1VDC	10VDC	1VDC
Now/Reverse Turn Time	—	—	≥200ms
Reverse Voltage	32VDC	—	—
Load Voltage	40-440VAC	40-440VDC	40-440VDC
Load Current	10, 15, 20, 25, 40, 60, 80, 100, 120A	10, 15, 20, 25, 30, 40, 60, 80A	10, 15, 20, 25, 40A
Instant Voltage	38, 1000VAC	38, 1000VAC	38, 1000VAC
Voltage Drop in On	<1.6VAC	<1.6VAC	<1.6VAC
On-off Time	≤10mS	≤10mS	≤10mS
Leakage Current in Off	≤10mA	≤10mA	≤10mA
Dielectric Strength	≥2500VAC	≥2500VAC	≥2500VAC
Insulation Resistance	500MΩ 500VDC	500MΩ 500VDC	500MΩ 500VDC
Ambient Temp.	-30~80°C	-30~80°C	-30~80°C
Dimensions	106L×75W×31.5H	106L×75W×31.5H	106L×75W×31.5H
Indicate Methods	LED	LED	LED
Mounting Type	Screw Fixing	Screw Fixing	Screw Fixing
Weight	10A≤365g 40A≤460g 80A≤500g	10A≤365g 40A≤460g 80A≤500g	10A≤450g 40A≤460g
Remarks	1. Load >10A, need mounting radiator; Load >80A, need mounting Cooling Fan or Cooling Water Sys. 2. For inductive Load, Pls mount a Varistor on output terminal.		

Mounting Dimension



Wiring Diagram

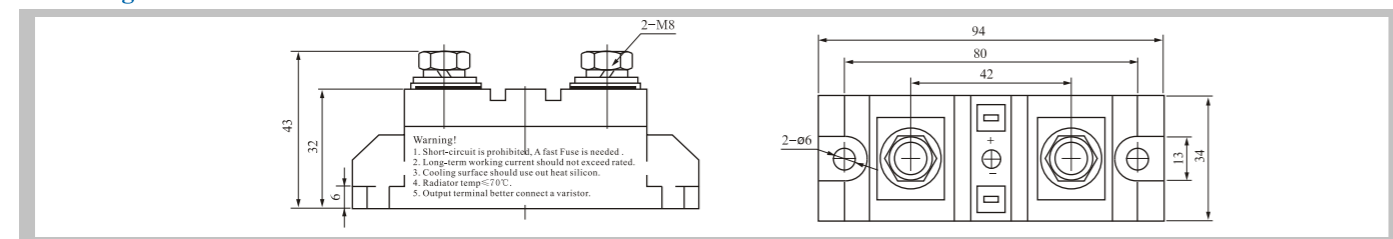




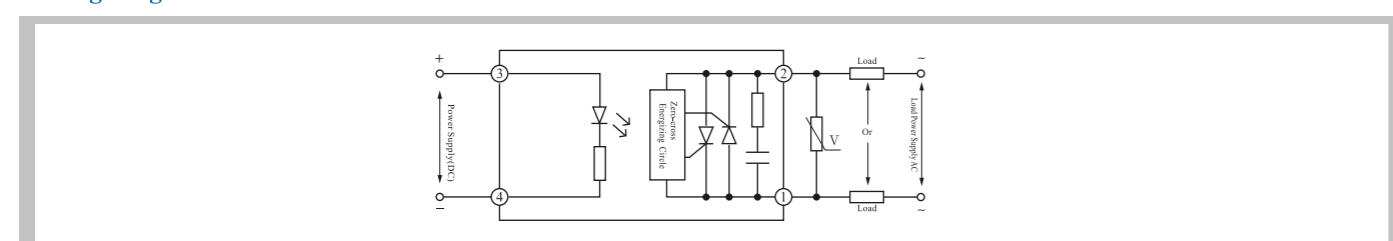
Specification

Model	HHG1A-1/032F-38 100-250A (SSR-DA)	HHG1C-1/032F-120 100-250A (SSR-DA)
Description	Industrial S.S.R	Industrial S.S.R
Controlling Voltage	3-14VDC 3-32VDC	3-14VDC 3-32VDC
Controlling Current	5-25mA	6-35mA
Make-on Voltage	3VDC	3VDC
Break-off Voltage	1VDC	1VDC
Reverse Voltage	32VDC	32VDC
Load Voltage	40-440VAC	60-1200VAC
Load Current	100, 120, 150, 200, 250A	100, 120, 150, 200, 250A
Instant Voltage	38, 1100VAC	120, 1600VAC
Voltage Drop in On	<1.6VAC	<1.6VAC
On-off Time	≤10mS	≤10mS
Leakage Current in Off	≤10mA	≤10mA
Dielectric Strength	≥2500VAC	≥2500VAC
Insulation Resistance	500MΩ 500VDC	500MΩ 500VDC
Ambient Temp.	-30~80°C	-30~80°C
Dimensions	94L×34W×43H	94L×34W×43H
Indicate Methods	LED	LED
Mounting Type	Screw Fixing	Screw Fixing
Weight	≤235g	≤235g
Remarks	1. Load >10A, need mounting radiator; Load >80A, need mounting Cooling Fan or Cooling Water Sys. 2. For inductive Load, Pls mount a Varistor on output terminal.	

Mounting Dimension



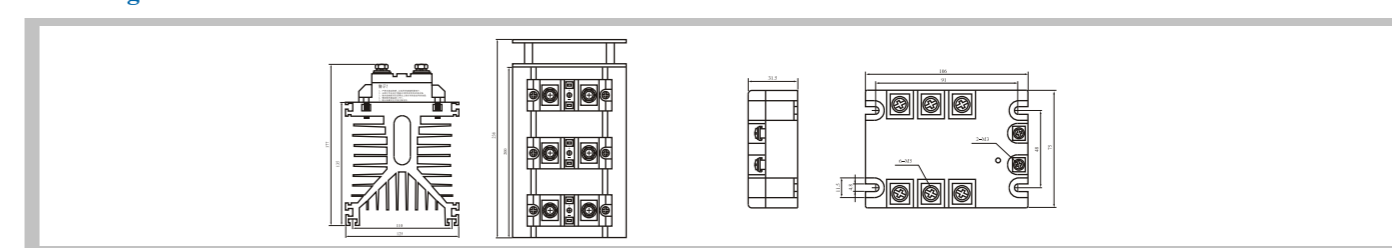
Wiring Diagram



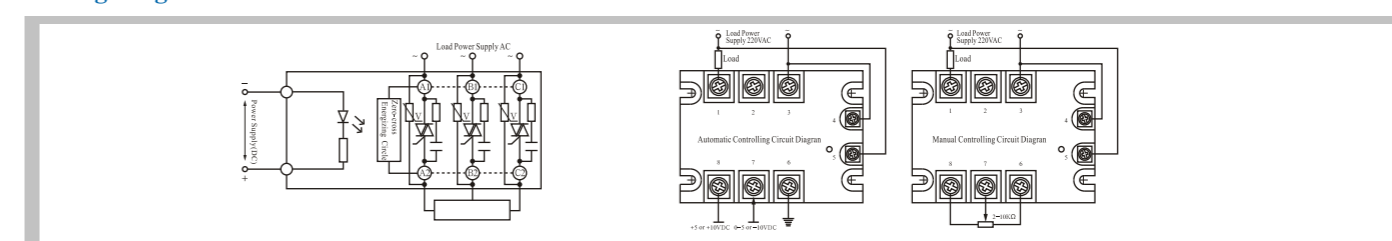
Specification

Model	HHG1-3/032F-38 100-250A (SSR-DA)	HHT3-U/22 10-100A (SSR-VA)
Description	Three Phase S.S.R Combination	Full isolation 1-Phase voltage regulator module
Controlling Voltage	3-32VDC	—
Controlling Current	6-35mA	—
Controlling Method	—	0-5VDC, 0-10VDC, 4-20mA Adjustable
Make-on Voltage	3VDC	—
Break-off Voltage	1VDC	—
Load Voltage	40-440VAC	220VAC
Load Current	100, 120, 150, 200, 250A	10, 20, 30, 40, 100A
Regulate Range	—	10-250VAC
Instant Voltage	38, 1000VAC	22, 600VAC
Voltage Drop in On	<1.6VAC	<3VAC
On-off Time	≤10mS	—
Isolation Voltage	—	Full isolation
Leakage Current in Off	≤10mA	≤10mA
Dielectric Strength	≥2500VAC	≥2500VAC
Insulation Resistance	500MΩ 500VDC	500MΩ 500VDC
Ambient Temp.	-30~80°C	-30~80°C
Dimensions	238L×125W×177H	106L×75W×31.5H
Indicate Methods	LED	LED
Mounting Type	Screw fixing, Din Rail Mounting Radiator	Screw Fixing
Weight	≤4520g	10A≤390g 40A≤470g 100A≤540g
Remarks	1. Load >10A, need mounting radiator; Load >80A, need mounting Cooling Fan or Cooling Water Sys. 2. For inductive Load, Pls mount a Varistor on output terminal.	

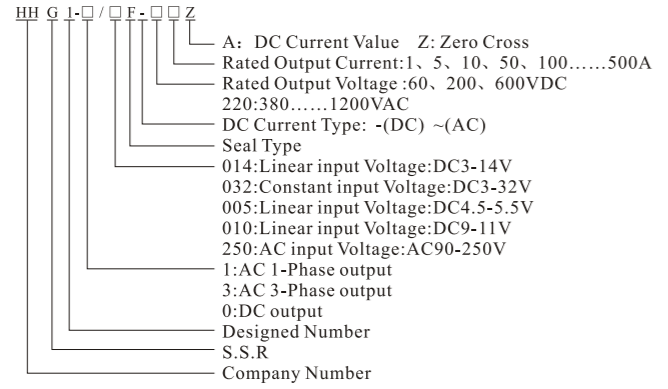
Mounting Dimension



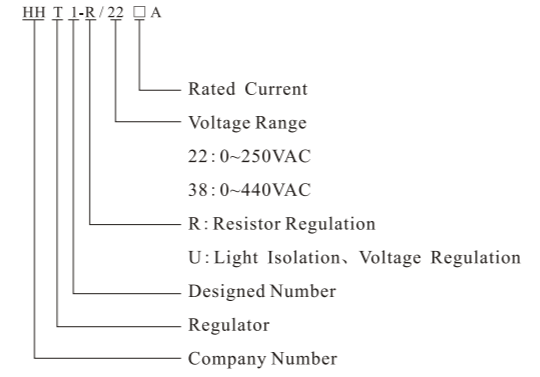
Wiring Diagram



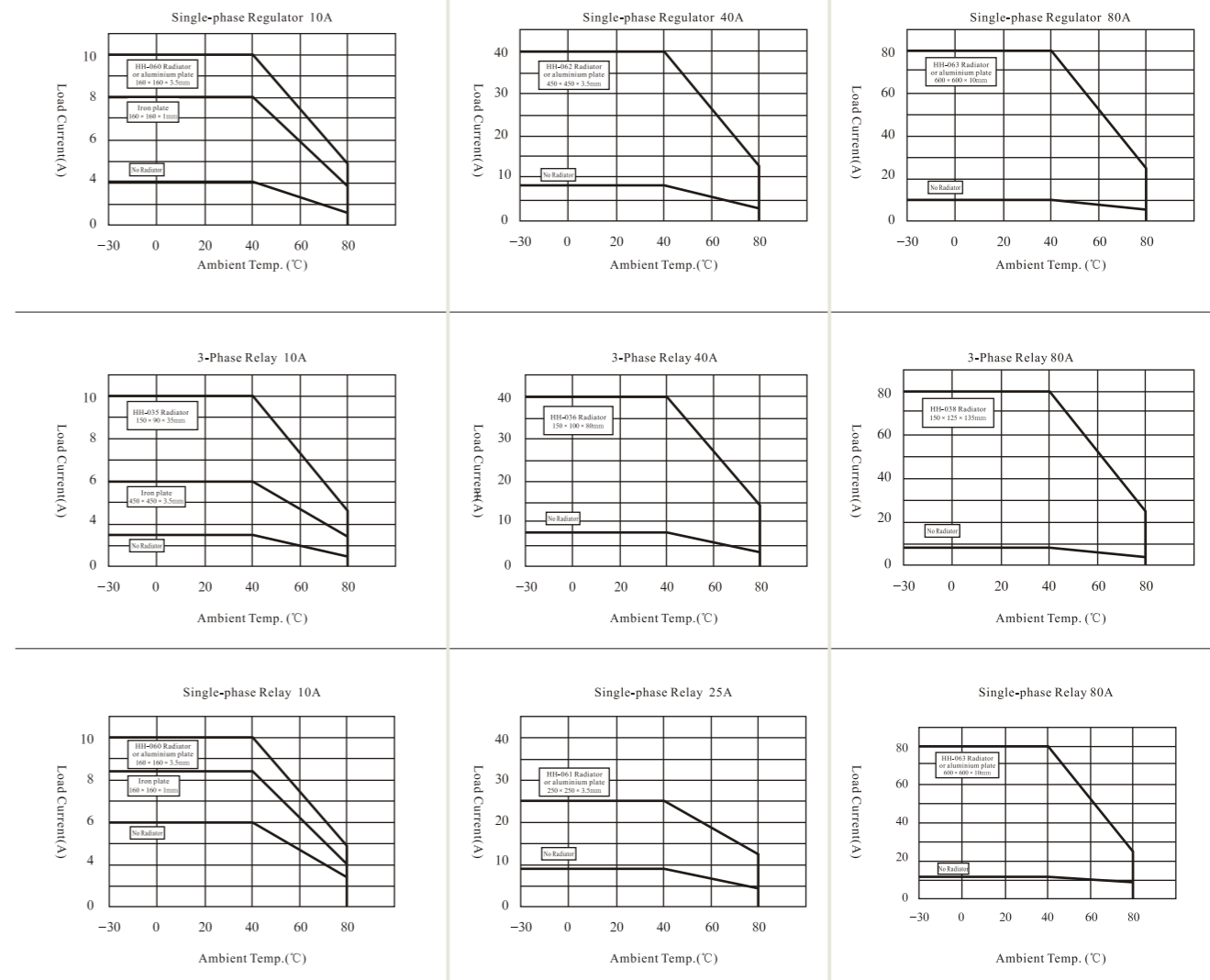
S.S.R Part Number Definition



Regulator Part Number Definition



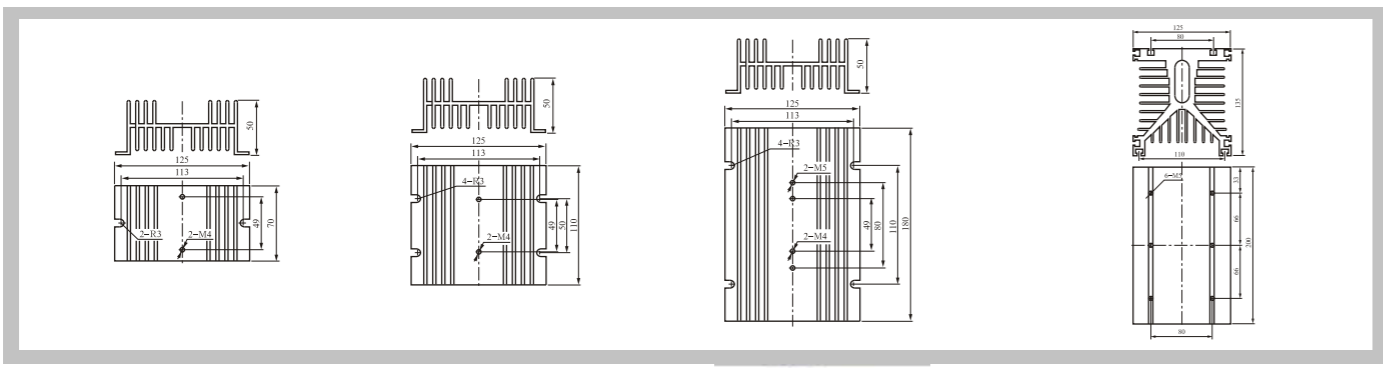
Load Current & Ambient Temp. Curves



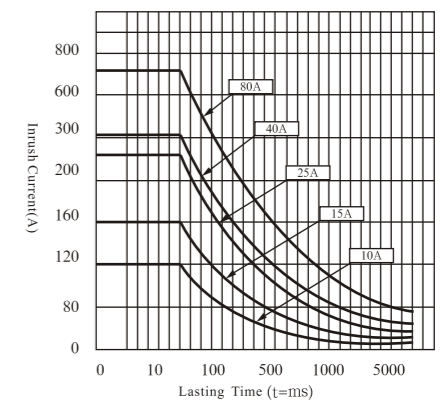
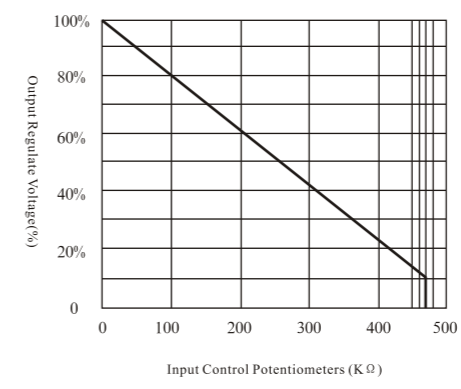
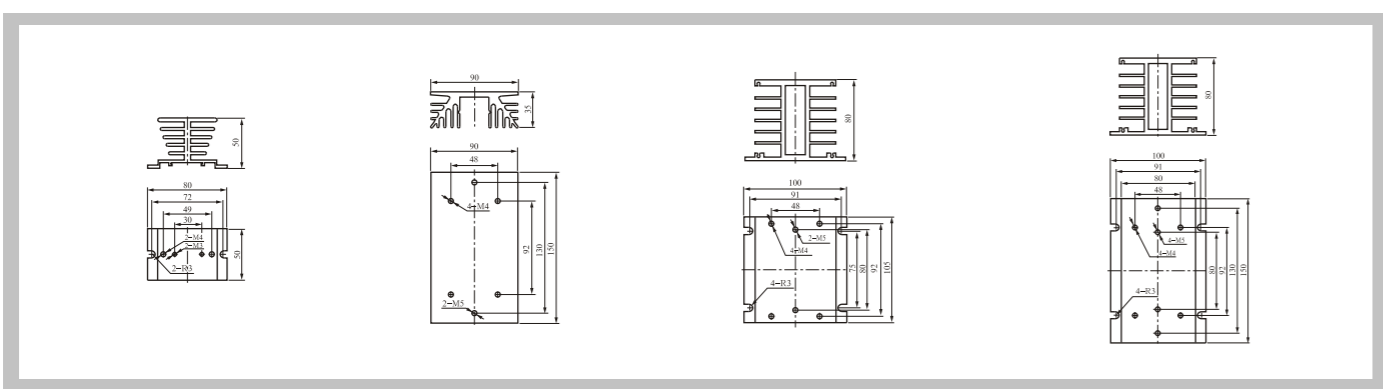
HH Series Radiator



HH-061 Radiator HH-062 Radiator HH-063 Radiator HH-039 Radiator


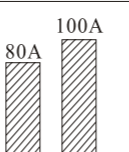


HH-060 Radiator HH-035 Radiator HH-034 Radiator HH-036 Radiator

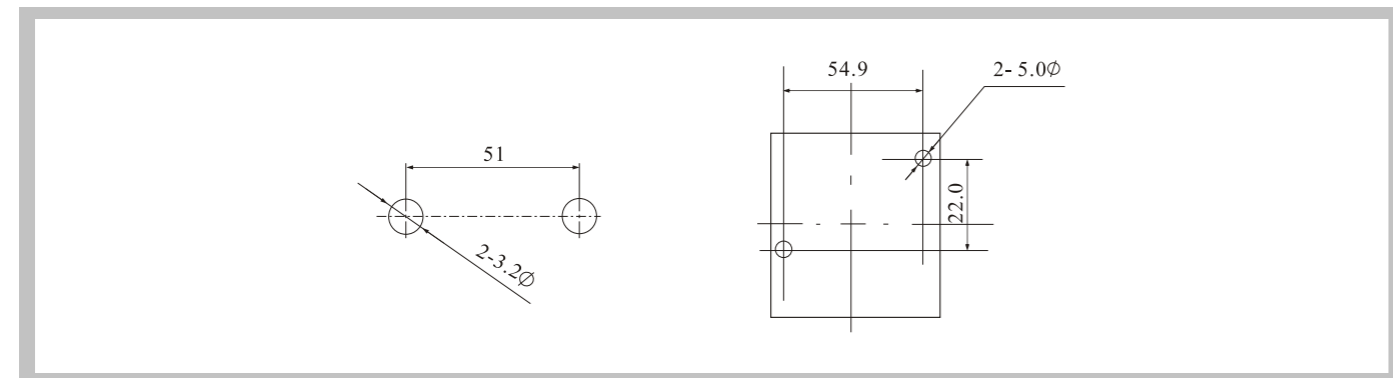






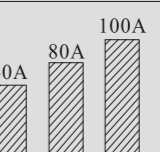

Specification

Model	HHM801	HHM802		
Contact Arrangement	1A, 1B	1A, 1B		
Contact Capacity				
			Transfer Current(A)	200 100 80 60 40 20
MAX Switching voltage VDC/VAC	30VDC/250VAC	30VDC/250VAC		
Coil Data	Coil Voltage DC/AC	6~48VDC	6~48VDC	
	Coil Power W/VA	(S):2.5W, (D):5W	(S):2.8W, (D):5.7W	
Specifications Data	Make Voltage	≤75%	≤70%	
	Break Voltage	≤75%	≤70%	
	Pulse Width(ms)	≥50ms	≥30ms	
	Contact Resistance(mΩ)	≤2mΩ	≤2mΩ	
	Insulation Resistance(MΩ)	≥1000MΩ	≥1000MΩ	
	Dielectric Strength Vr.m.s	Between Open Contacts	≥2000VAC	≥1500VAC
		Between Coil&Contacts	≥3000VAC	≥5000VAC
		Between Contacts Form		
	Ambient Temp.(°C)	-40 ~ +55°C	-40 ~ +55°C	
	Operation/Release Time(ms)	≤30/30ms	≤30/30ms	
Service Life	Electrical	1×10 ⁴	3×10 ⁴	
	Mechanical	5×10 ⁵	5×10 ⁵	
Mounting Method	Welding	Welding		
Weight(gr)	95	146.0		
Dimensions(mm)	60×40×22.0	66.7×24.0×48.5		

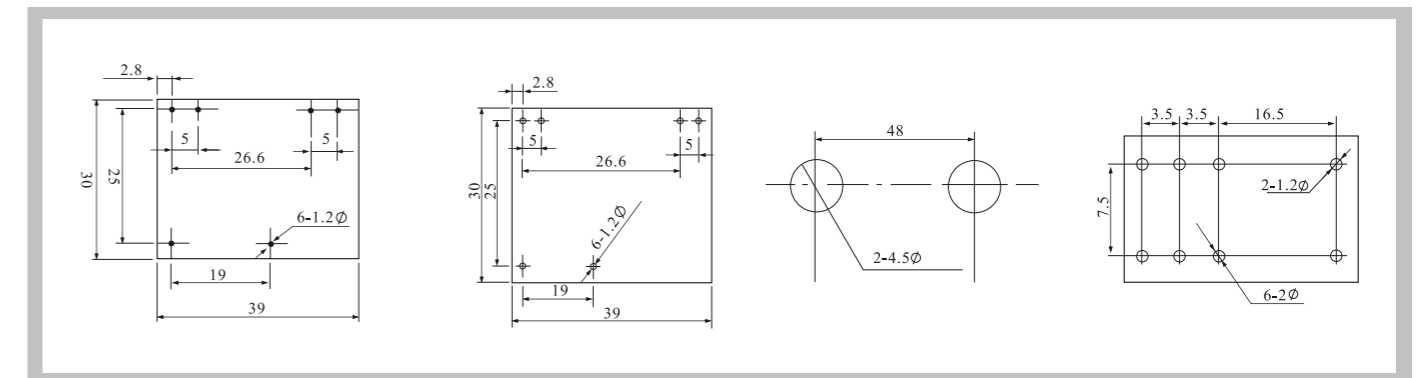
Mounting Holes(mm)



Specification

Model	HHM804	HHM805	HHM806	HHM815		
Contact Arrangement	1A, 1B	1A, 1B	3A, 3B	1C, 2C		
Contact Capacity						
					Transfer Current(A)	30VDC/250VAC
MAX Switching voltage VDC/VAC	30VDC/250VAC	30VDC/250VAC	30VDC/250VAC	30VDC/250VAC		
Coil Data	Coil Voltage DC/AC	6~48VDC	5~48VDC	6~48VDC	5~48VDC	
	Coil Power W/VA	(S):1.3W, (D):1.9W	(S):1.5W, (D):1.9W	(S):3.8~5W, (D):6~10W	1W	
Specifications Data	Make Voltage	≤70%	≤70%	≤70%	≤70%	
	Break Voltage	≤70%	≤70%	≤70%	≤70%	
	Pulse Width(ms)	≥30ms	≥30ms	≥50ms	≥30ms	
	Contact Resistance(mΩ)	≥2mΩ	≥2mΩ	≥2mΩ	≥15mΩ	
	Insulation Resistance(MΩ)	≥1000MΩ	≥1000MΩ	≥1000MΩ	≥1000MΩ	
	Dielectric Strength Vr.m.s	Between Open Contacts	≥1500VAC	≥1500VAC	≥2000VAC	≥1000VAC
		Between Coil&Contacts	≥2500VAC	≥2500VAC	≥3000VAC	≥3000VAC
		Between Contacts Form			≥4000VAC	
	Ambient Temp.(°C)	-40 ~ +55°C	-40 ~ +55°C	-40 ~ +55°C	-40 ~ +55°C	
	Operation/Release Time(ms)	≤20/20ms	≤30/30ms	≤30/30ms	≤20/20ms	
Service Life	Electrical	1×10 ⁴	1×10 ⁵	60A:5×10 ⁴ 80A:1×10 ⁴ 100A:3000	5×10 ⁴	
	Mechanical	1×10 ⁶	5×10 ⁵	5×10 ⁵	1×10 ⁶	
Mounting Method	Welding	Screw Fasten	Welding	P.C.B		
Weight(gr)	35.0	45	450.0	18.0		
Dimensions(mm)	39.0×17.5×30.0	38.0×18.0×32.0	110.0×68.0×30.0	29.0×12.5×25.0		

Mounting Holes(mm)





RELAY SOCKETS



TP58X



TP511X



TP514X



PYF08



PYF11



PYF14



78750



78755



PF083A



PF113A



PF083A-E



PF113A-E



HH52A



HH53A



HH54A



13FA



14F-1Z



14F-2Z



PTF08A



PTF11A



PTF-14A



38F座



30F



RPML0024



US08



US11



RX78624-1Z



PX78625



PX78626