

Explosion Proof Photocell - 800 Watt Rated Day/Night Sensor - Dusk-to-Dawn Operation -

JAXX-DS20D-800W



JAXX-DS20D-800W Exp. Proof Photocell

Type: Explosion Proof Photocell
Dimensions: 4 5/8" x 3" x 3 1/8"
Watts: 800
Tungsten/Ballast Rating: 800 Watts
Voltage: 120V AC or 208-277V AC
Frequency Rating: 50/60 Hz
Volt-Ampere: 1,100 VA @ 120V AC, 1,800 VA @ 208-277V AC
On/Off Activation: 2-2.5 FC
Switch: SPST
Housing: Cast Aluminum
Materials: Feraloy Iron Alloy
Mount: (2) 3/4" or 1/2" Hubs
Termination: Feed-Thru or Dead End
Weight: 1 lb

Ratings/Approvals

Class I, Division 1 & 2, Groups C, D
 Class II, Division 1 & 2, Groups E, F, G
 Class III
 NEMA 7 CD, 9 EFG
 Compact Design

Special Orders- Requirements

Contact us for special requirements
Phone: 203-878-0400

E-mail: information@jaxxeninc.com

The JAXX-DS20D-800W from Jaxxen Incorporated is an Explosion Proof Photocell that functions as a day/night sensor for Indoor/Outdoor lighting systems. The 800-watt rated unit automates dusk-to-dawn lighting controls by turning on compatible lights at 2-2.5 footcandles. Featuring a compact design, the device is suitable for use in hazardous locations, indoor spaces and industrial facilities. When ordering this unit, please choose from the following voltage options: 120V AC or 208-277V AC.

The JAXX-DS20D-800W promotes safety by turning on Indoor/Outdoor luminaires in critical passageways at night. During operation, the device activates luminaries at 2-2.5 footcandles. Rated at 800 watts, the unit is compatible with indoor lighting systems only. The explosion proof photocell may also be used to conserve energy by only activating the luminaries when necessary. For durability, the EXP-DNS-800W is constructed of cast aluminum. Mounting may be completed via two, 1/2" or 3/4" hubs in choice of feed-thru or dead end termination.

Applications: Indoor/Outdoor lighting systems in hazardous locations, such as oil and gas facilities, chemical processing plants, food manufacturing establishments, mining sites and more.

At Jaxxen Incorporated, we do more than meet your lighting needs. We also provide replacement, retrofit, and upgrade parts as well as industrial grade power accessories. Our craftsmen can custom build any lighting system and/or accessories to fit the unique demands of your operation. A commitment to



350 Milford Point Rd. Milford, CT 06460 P.203-878-0400 F.203-878-0458
www.jaxxeninc.com info@jaxxeninc.com

honesty, quality, and dependability has made Jaxxen Incorporated an industry leader in the lighting and electronics business since 1982. Contact us today at 203-878-0400 or email us information@jaxxeninc.com for more information about our custom options tailored to meet your specific industry needs.

Options:

JAXX-DS20D-800W-Voltage-Hub Size-Termination

Example: JAXX-DS20D-800W-120VAC-0.5IN-FT

Voltage	
120V AC	-120VAC
208-277V AC	-277VAC

Hub Size	
-1/2"	-0.5IN
-3/4"	-0.75IN

Termination	
FEED THRU	-FT
DEAD END	-DE

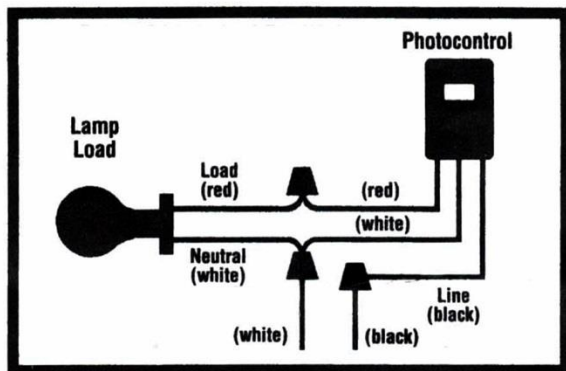
I° , , -D' ~ -800W

INSTALLATION INSTRUCTIONS

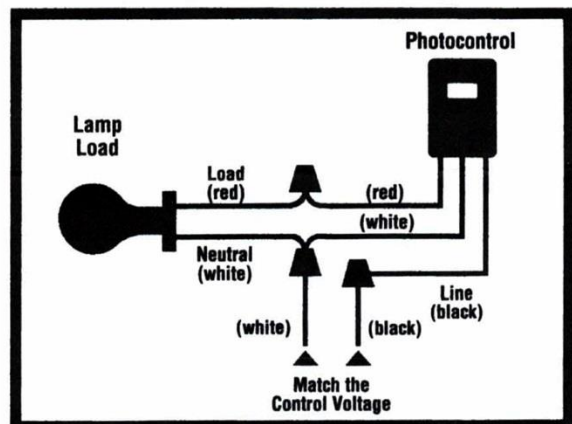
1. Be sure that the power is turned off at the fuse or breaker box.
2. Check line voltage with that of control to be used.
3. Location of the control is important. The “eye” of the control should be exposed to the most natural changes in daylight, away from any artificial lighting which could influence the control to turn off during night conditions.
4. Wire in as follows:
 - a. Black (hot line) wire of line is connected only to the black wire of the control.
 - b. White (common or neutral) wire of the line is connected to the white wire of the control and to white wires of all fixtures being controlled.
 - c. Red (switch hot at night) wire of the control is connected to all black wires of the fixtures being controlled.
5. Restore power to control.

IMPORTANT: Although the light sensitive element of the unit is sealed and moisture-proof, it is important that the unit body itself be mounted in a weatherproof enclosure to assure protection from water damage. Also, it is preferable that the unit is mounted with the “eye” at the top and wire leads extending downward.

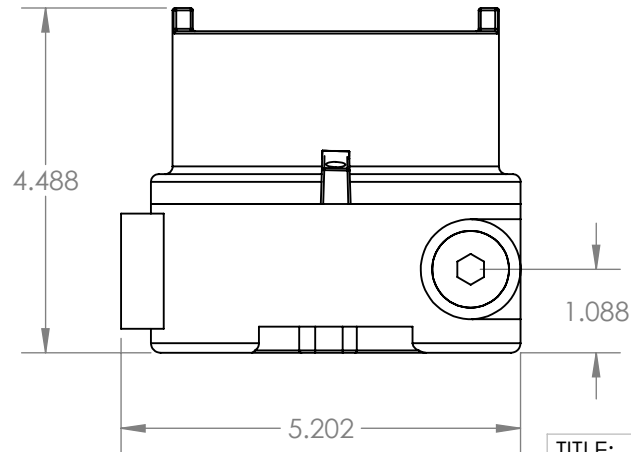
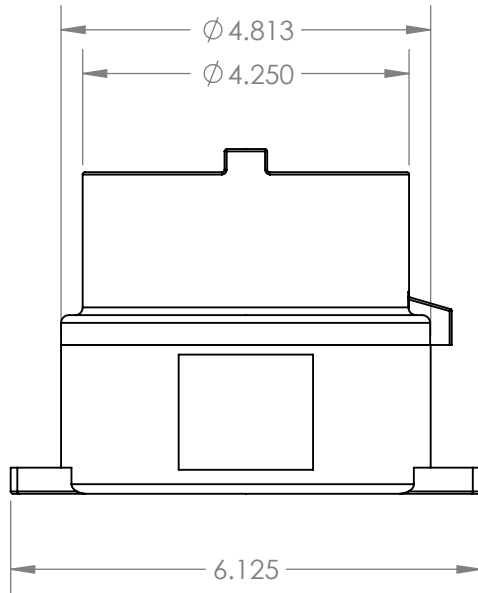
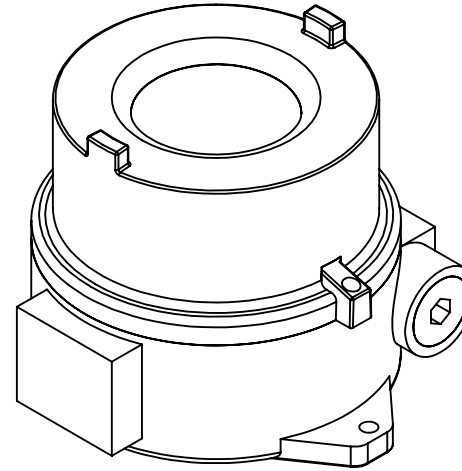
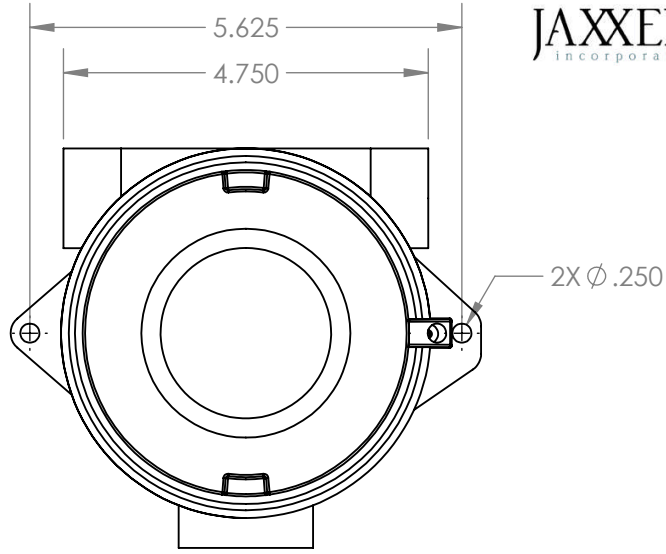
NOTE: The control has a time delay of approximately 15 to 120 seconds; therefore, the load will remain closed (lights on) when the control is first energized for about 15 to 120 seconds. To test the load: place a lightproof cover over the “eye” and allow 15 to 120 seconds for lights to turn on. If photocontrol blinks on and off in darkness, turn “eye” away from light source. If photocontrol blinks on and off in daylight, check for incorrect wiring.



120V WIRING DIAGRAM



208V—277V WIRING DIAGRAM



TITLE:
JAXX-DS20D-800W

PROPRIETARY AND CONFIDENTIAL
THE INFORMATION CONTAINED IN THIS DRAWING IS THE SOLE PROPERTY OF JAXXEN INCORPORATED. ANY REPRODUCTION IN PART OR AS A WHOLE WITHOUT THE WRITTEN PERMISSION OF JAXXEN INCORPORATED IS PROHIBITED.

UNLESS OTHERWISE NOTED:

Angle +/- .5 deg
.X +/- .02
.XX +/- .01
.XXX +/- .005

FINISH		NAME	
SURFACE AREA [sq. in]		DRAWN	CHRISTOPHER THAUER
DIMENSIONS ARE IN INCHES		CHECKED	N/A
MATERIAL		DATE	7/13/2018
DO NOT SCALE DRAWING			

SIZE	DWG. NO.	REV
A		
SCALE: NTS		SHEET 1 OF 1