

Automatic lighting control DS 20

PRODUCT IS OBSOLETE



- Light sensitive switch for automatic lighting control
- Robust aluminium die-cast housing
- Electronic delay to eliminate influence of short term light fluctuations
- Terminal strip with 2 cable glands PG 9
- Large temperature range
- Sealing IP 65
- EMC-tested according to IEC 801 and EN 50081-2/EN 50082-2



Product designation

Output

Connection

Optical data

Min. switching level

Electrical data

Supply voltage U_s

Power consumption (without load)

Max. switching power

Environmental data

Sealing

Temperature T_a
(operating and storage)

Weight

	DS 20 D
Output	Relay, 1 change over
Connection	Terminal strip / 2 cable glands PG 9
Min. switching level	> 2 Lux
Supply voltage U_s	200...264 V AC, 50...60 Hz
Power consumption (without load)	< 2 VA (daytime/light); < 7 VA (nighttime/dark)
Max. switching power	220 V AC / 6 A for incandescent lamps, 4 A for fluorescent lamps
Sealing	IP 65
Temperature T_a (operating and storage)	-40...+60 °C
Weight	ca. 520 g

When not otherwise noted, all technical data at $T_a = 25^\circ\text{C}$, $U_s = 220\text{VAC}$

Operating instructions

Installation outside

Direct the light entrance aperture northwards or otherwise protect it against direct sunlight (porch, etc.).

Installation inside

The light entrance aperture should face a window. If necessary, direct the daylight onto the light entrance aperture with the supplied angular reflector.

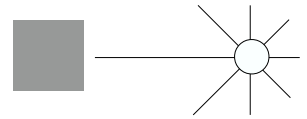
Sensitivity adjustment

Open aperture completely. In the evening, when the desired degree of twilight is reached, close the aperture gradually until the function indicator lights up. After about one minute, the output will be switched on.

If the function indicator is already on while the aperture is open, remove the cover and turn the potentiometer clockwise until the function indicator is switched off. Close the cover, and adjust the mechanical aperture as described above.

200...264 VAC

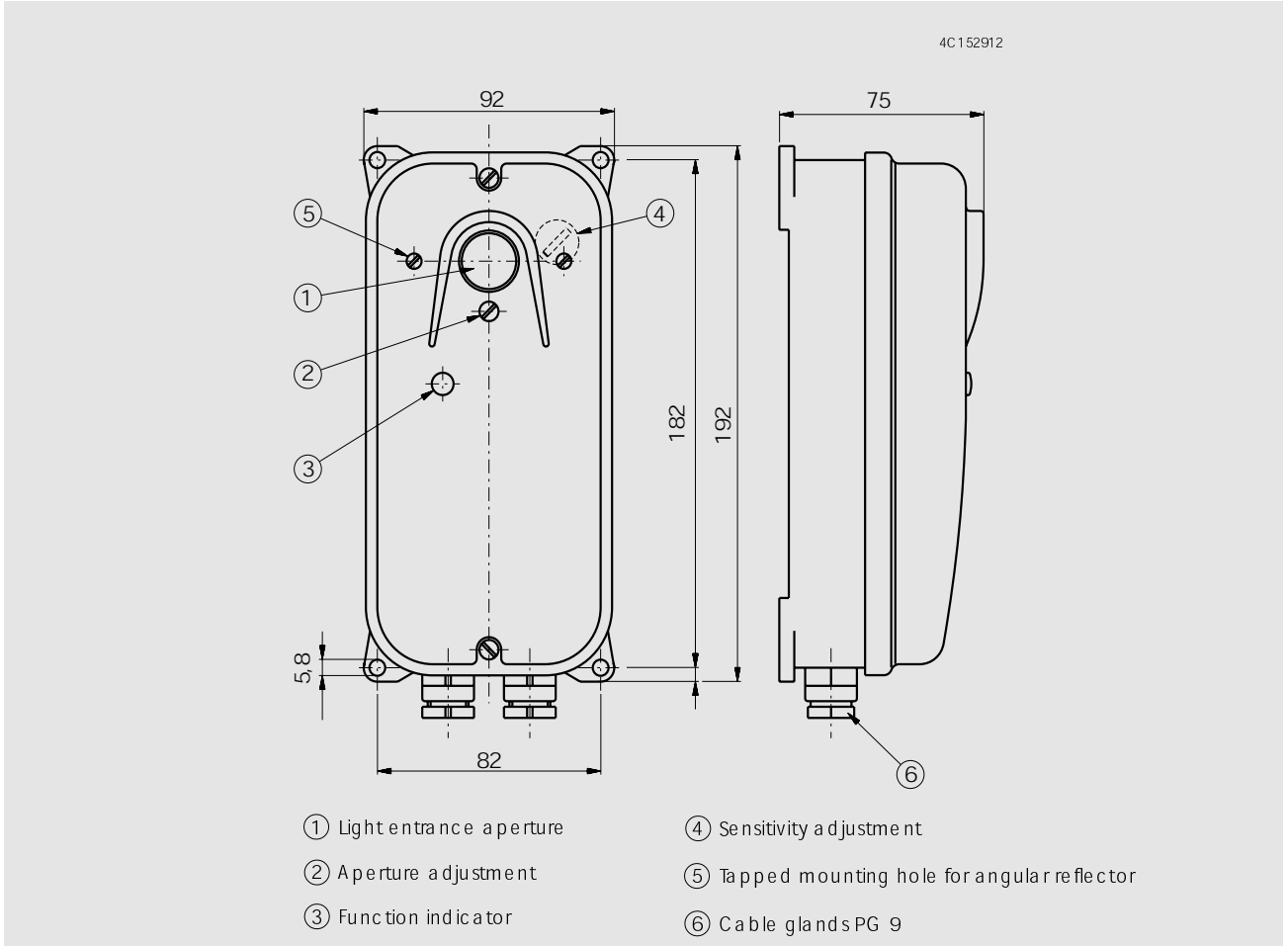
Relay,
1 change over
contact



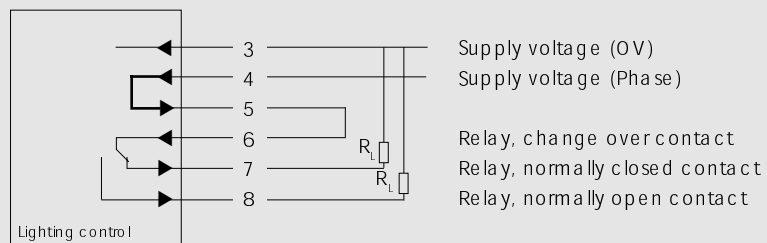
DS 20

PRODUCT IS OBSOLETE

Dimensions (192 mm x 92 mm x 75 mm)



Wiring diagram



When it is dark the relay is energized.

No protective isolation!