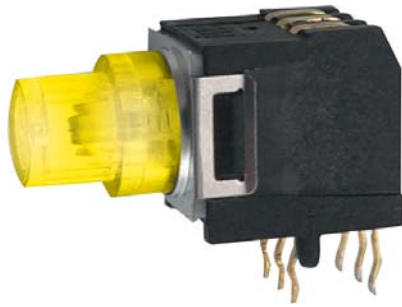


# TC006 SERIES

LED TACT SWITCH



**Feature -**


- small size
- bi-color LED illuminated available
- good tactile feeling

**Application -**

- consumer products
- network products
- instrumentation
- communication equipments

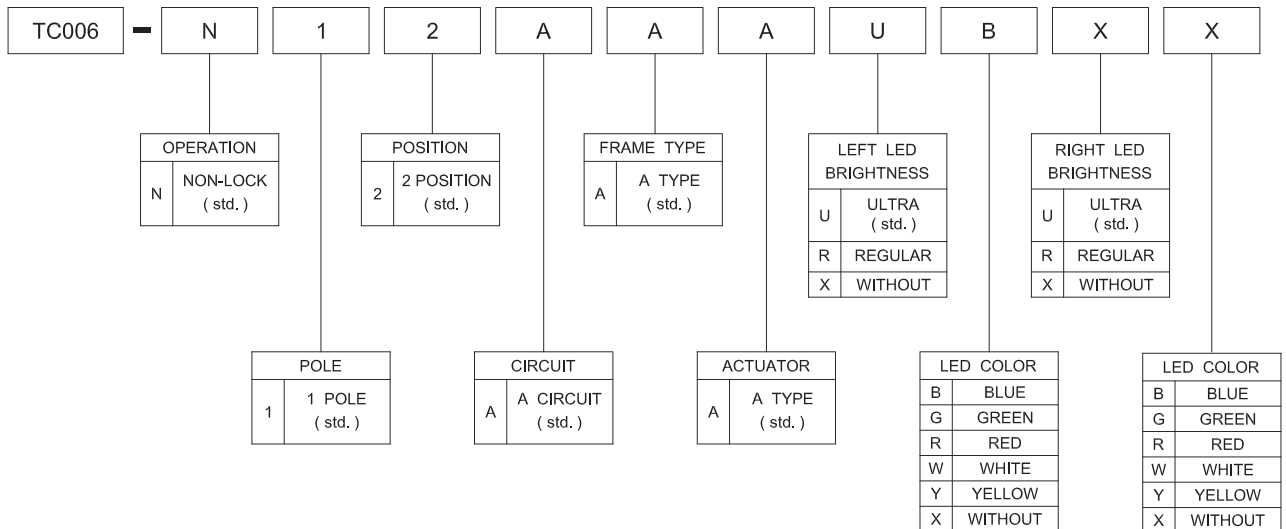
## ► SPECIFICATIONS

SWITCH SPECIFICATIONS	
POLE - POSITION	1P2T , Right Angle Push-on-on momentary Type , with or w/o LED are Available
RATING	POWER MIN. / MAX. : 0.02VA / 1.0VA CURRENT MIN. / MAX. : 0.1mA ~ 100mA VOLTAGE MIN. / MAX. : DC 20mV ~ DC 32V
CONTACT RESISTANCE	250 mΩ max. 1.5 V DC ; 100 mA , by Method of Voltage DROP
INSULATION RESISTANCE	100 MΩ min. 500 V DC
DIELECTRIC STRENGTH	Breakdown is not Allowable ; 250 V AC for 1 Minute
OPERATING FORCE	400 ± 125 gf
OPERATING LIFE	50,000 cycles
OPERATING TEMPERATURE RANGE	-20°C ~ 70°C
TOTAL TRAVEL	2.0 mm MAX.

LED SPECIFICATIONS						
ATTENTION  LEDs are Electrostatic Sensitive devices	Unit	Value / LED Color				
		Blue	Green	Red	Yellow	
FORWARD CURRENT	If	mA	20	20	20	20
REVERSE VOLTAGE	Vr	V	5.0	5.0	5.0	5.0
REVERSE CURRENT	Ir	μA	10	10	10	10
FORWARD VOLTAGE@20mA	Vf	V	3.3-4.0	2.1-2.5	2.0-2.5	2.0-2.5
LUMINOUS INTENSITY@20mA	Iv	mcd	1300	700	900	700

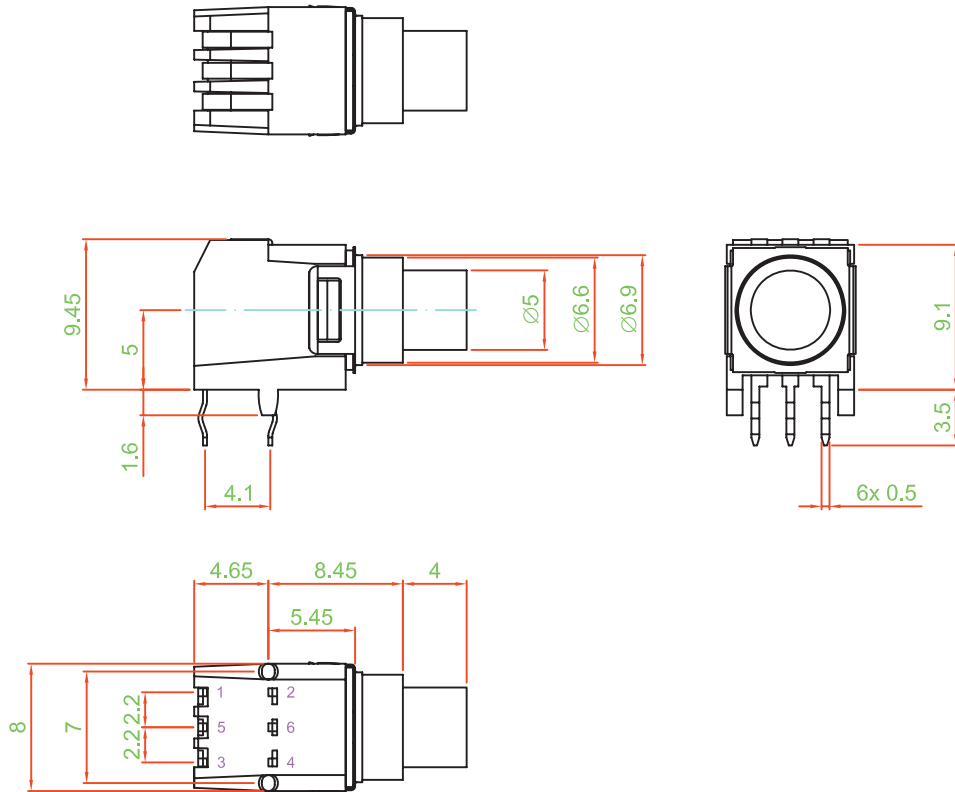
■ Physical and electrical information of LED will be provided upon customer's request on switches .

## ► HOW TO ORDER

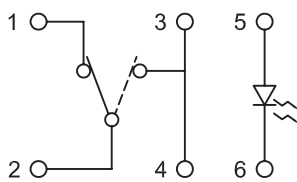


► DIMENSION

► TC006-N12AAA□□□□



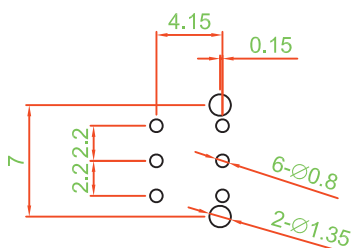
► CIRCUIT DIAGRAM



► MATERIAL

- FRAME : PA + GF
- ACTUATOR : PC
- TERMINAL : BRASS ; GOLD PLATING
- DOME : STAINLESS STEEL ; GOLD PLATING
- SPACER : SILICON

► P.C.B. LAYOUT



► UNIT WEIGHT

- TC006 : 0.95 ± 0.05 g / pc