



Feature -

DPST, two buttons in line, vertical PCB mount

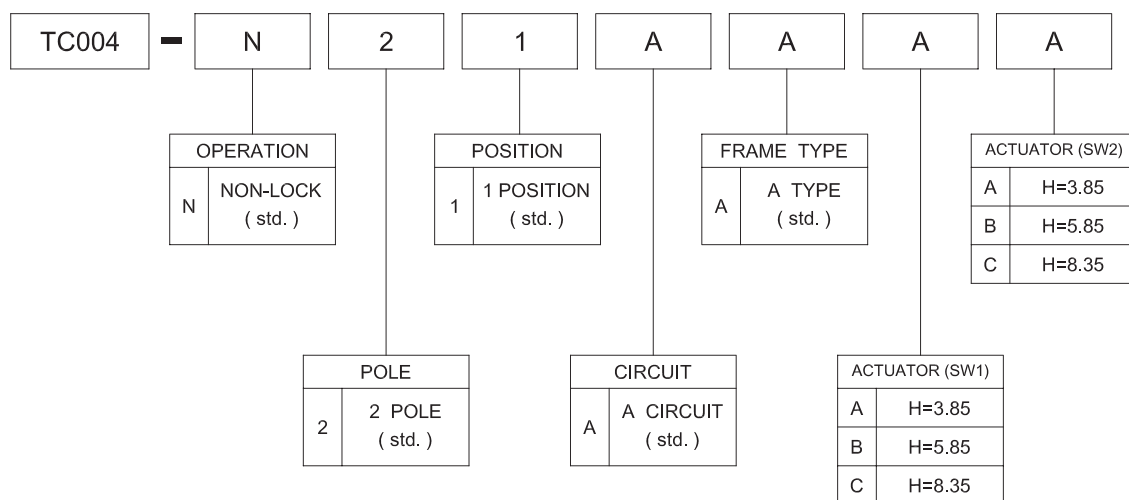
Applications -

office equipments
measuring instruments
audio, TV, VCRs
many types of electronic equipments

► SPECIFICATIONS

SWITCH SPECIFICATIONS	
POLE - POSITION	DPST
CONTACT RATING	12 V DC , 50 mA
CONTACT RESISTANCE	100 mΩ MAX. 5 V DC ; 1 A , by Method of Voltage DROP
INSULATION RESISTANCE	100 MΩ MIN. 100 V DC for 1 minute
DIELECTRIC STRENGTH	Breakdown is not Allowable ; 100 V AC for 1 Minute
OPERATING FORCE	160 ± 50 gf
OPERATING LIFE	500,000 cycles
OPERATING TEMPERATURE RANGE	-20°C ~ 70°C
TOTAL TRAVEL	0.25 ± 0.10 mm

► HOW TO ORDER

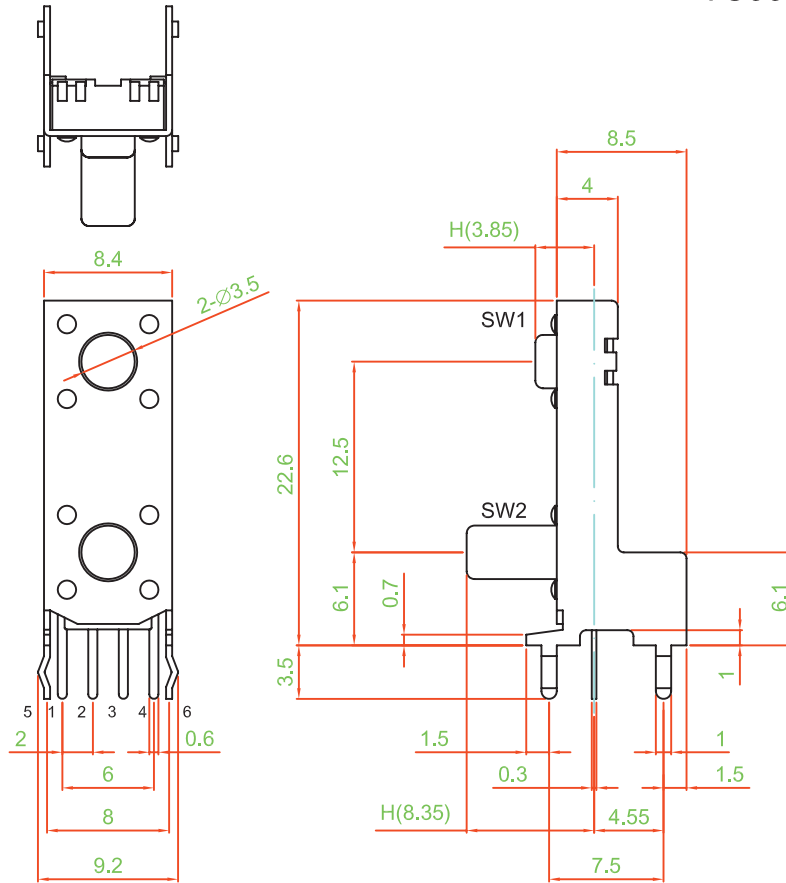


TC004 SERIES

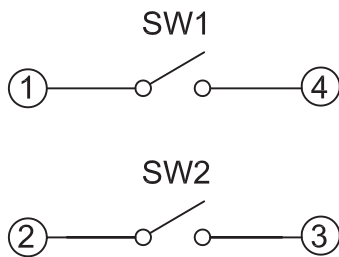
TACT SWITCH

DIMENSION

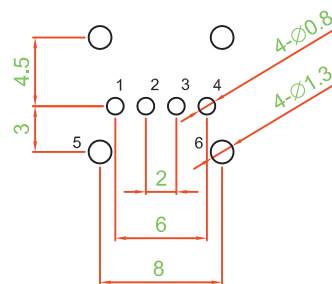
TC004-N21AAAC



SCHEMATIC



P.C.B LAYOUT



UNIT WEIGHT

- TC004-N21AAAA : 1.77 ± 0.05 g / pc
- TC004-N21AABB : 1.81 ± 0.05 g / pc
- TC004-N21AACC : 1.87 ± 0.05 g / pc

MATERIAL

- ACTUATOR : PA66
- TERMINAL : BRASS SILVER PLATING
- FRAME : STEEL PLATE
- SPRING PLATE : STAINLESS STEEL
- BASE FRAME : PA66