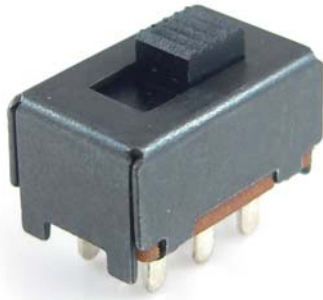


# SS002 SERIES

## SLIDE SWITCH



Feature -

3P2T, PCB terminal

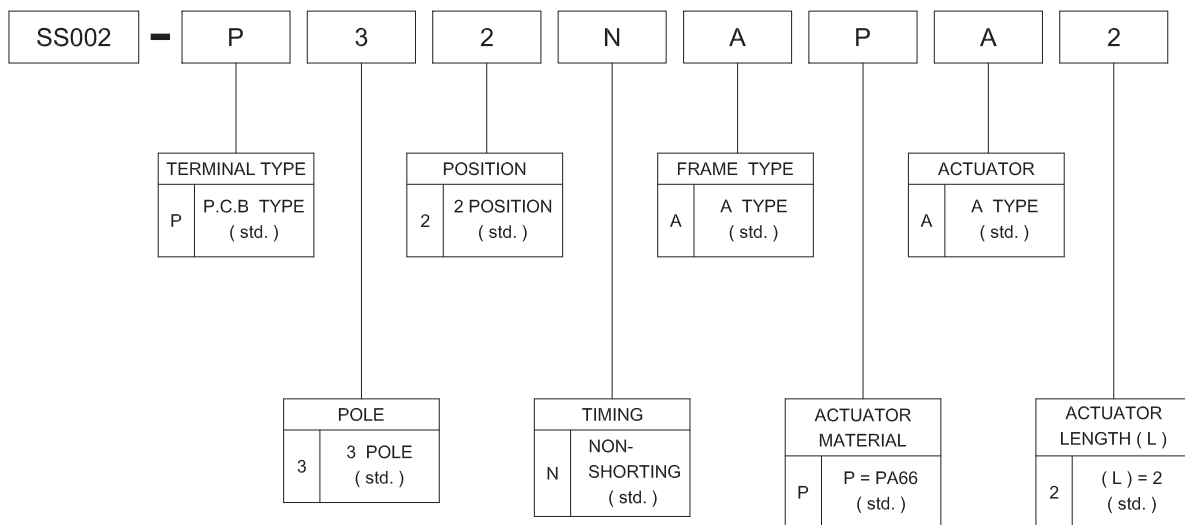
Application -

- consumer products
- computer products
- instrumentation
- communication equipments
- hand-held devices

### SPECIFICATIONS

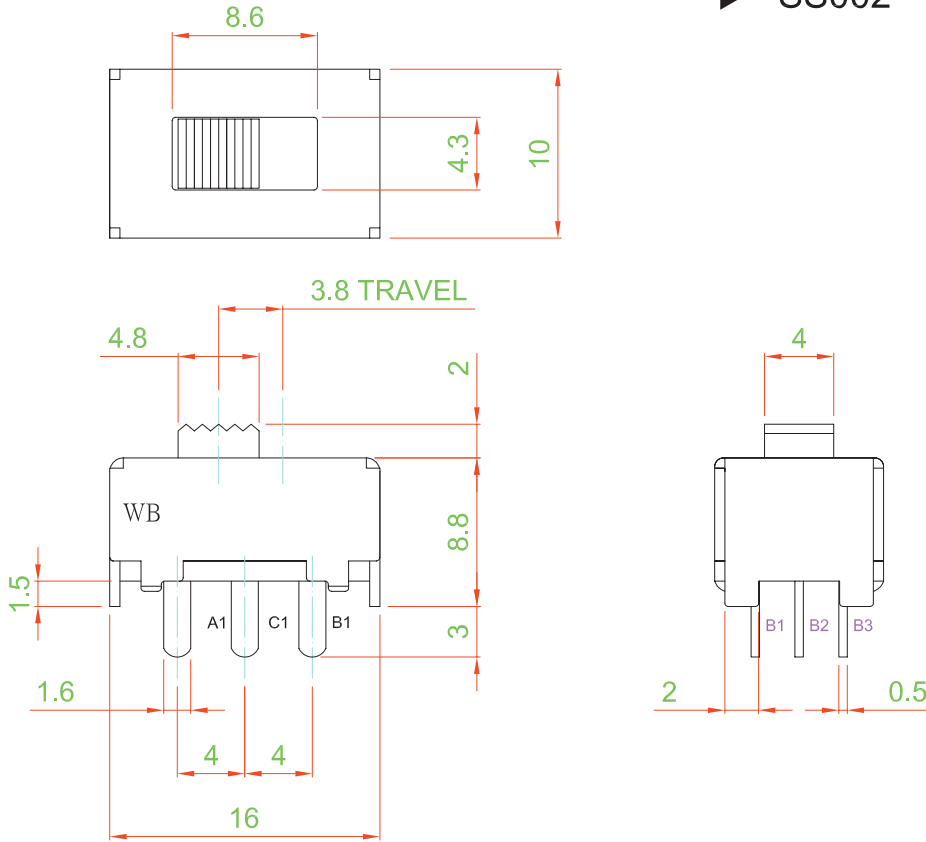
SWITCH SPECIFICATIONS	
POLE - POSITION	3P2T , P.C.B TYPE
CONTACT RATING	50 V DC , 0.5 A
CONTACT RESISTANCE	30 mΩ MAX. 1.5 V DC ; 100 mA , by Method of Voltage DROP
INSULATION RESISTANCE	100 MΩ MIN. 500 V DC
DIELECTRIC STRENGTH	Breakdown is not Allowable ; 500 V AC for 1 Minute
OPERATING FORCE	300 ± 150gf MAX.
OPERATING LIFE	10,000 cycles
OPERATING TEMPERATURE RANGE	-20°C ~ 70°C
TOTAL TRAVEL	3.8 ± 0.2 mm

### HOW TO ORDER



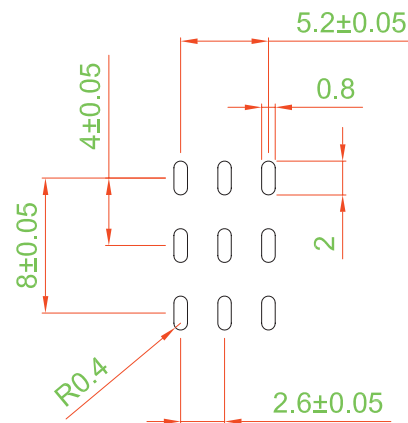
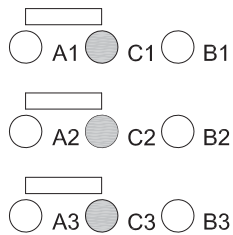
► DIMENSION

► SS002 - P32NAPA2



► CIRCUIT DIAGRAM

► P.C.B. LAYOUT



► MATERIAL

- FRAME : STAINLESS STEEL
- SLIDER : PA66 + GF
- TERMINAL : RED BRASS SILVER PLATING

► UNIT WEIGHT

- SS002 : 3.4 ± 0.05 g / pc