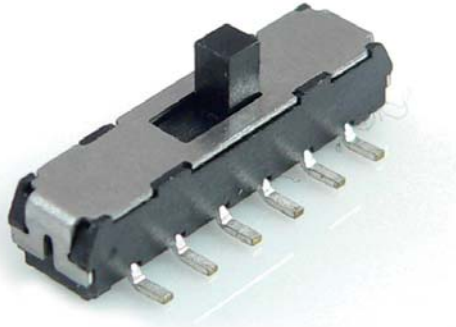


SS SERIES

MINIATURE SLIDE SWITCH



Feature -

- compact size
- reflow soldering available

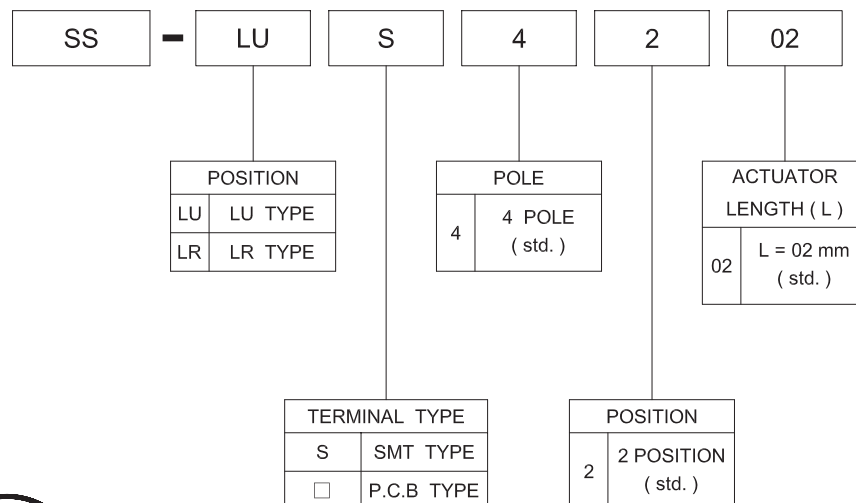
Application -

- consumer products
- computer products
- instrumentation
- communication equipments
- hand-held devices

► SPECIFICATIONS

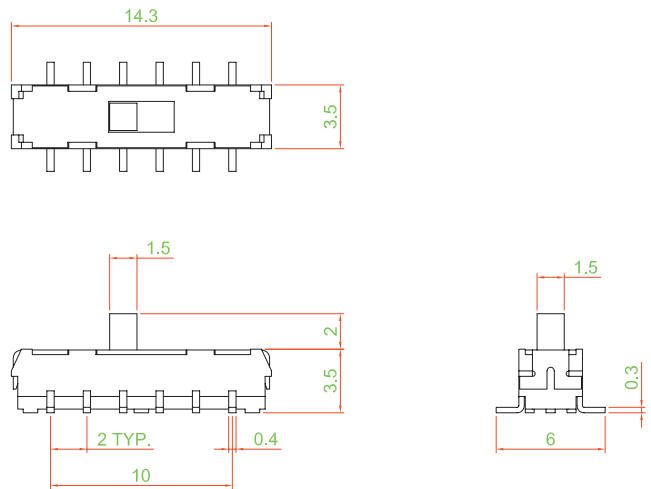
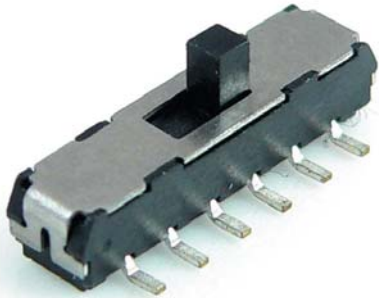
SWITCH SPECIFICATIONS	
POLE - POSITION	4P2T
CONTACT RATING	6 V DC , 0.3 A
CONTACT RESISTANCE	70 mΩ MAX. 5 V DC ; 1 A , by Method of Voltage DROP
INSULATION RESISTANCE	100 MΩ MIN. 500 V DC for 1 minute
DIELECTRIC STRENGTH	Breakdown is not Allowable ; 500 V AC for 1 Minute
OPERATING FORCE	200 ± 150 gf
OPERATING LIFE	10,000 cycles
OPERATING TEMPERATURE RANGE	-10°C ~ 60°C
TOTAL TRAVEL	2.0 ± 0.3 mm

► HOW TO ORDER

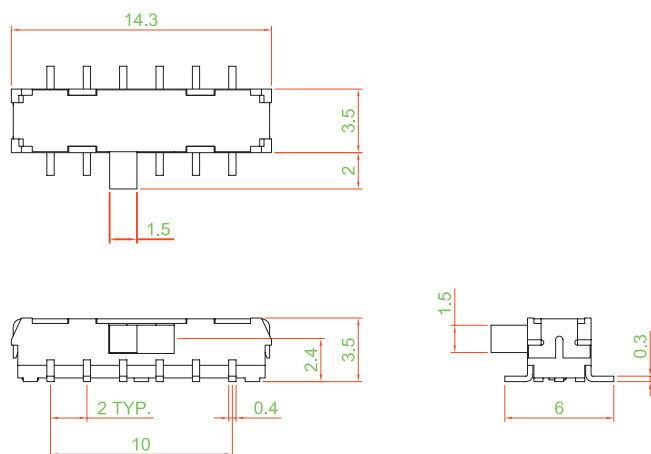
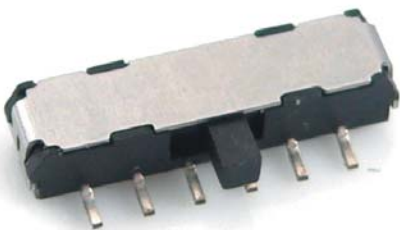


► DIMENSION

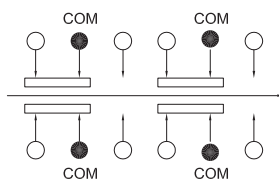
SS-LUS4202



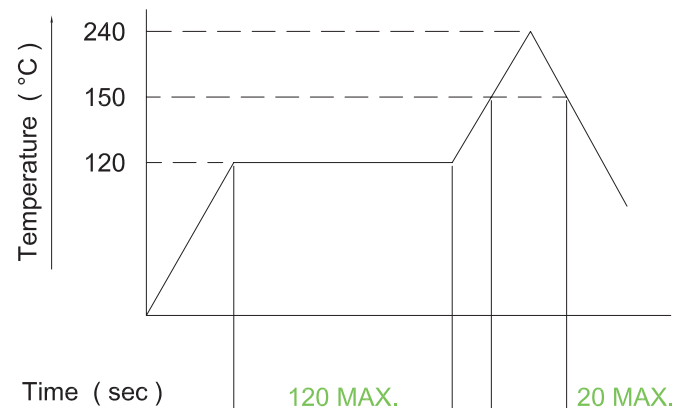
SS-LRS4202



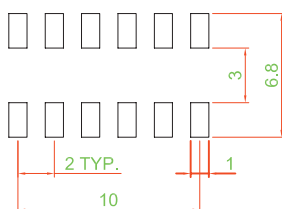
► CIRCUIT DIAGRAM



► REFLOW SOLDERING



► P.C.B LAYOUT

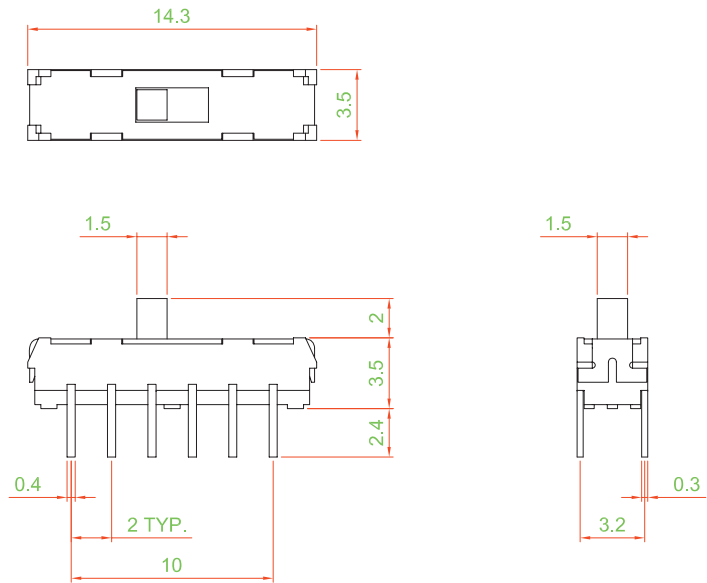
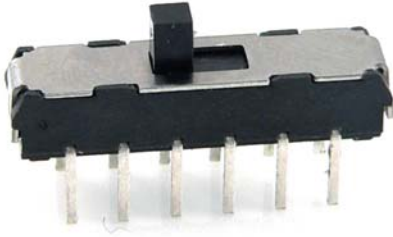


SS SERIES

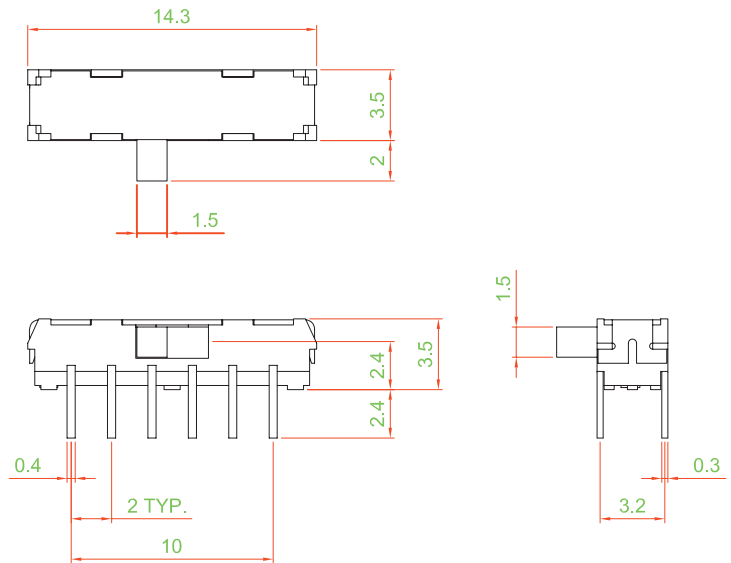
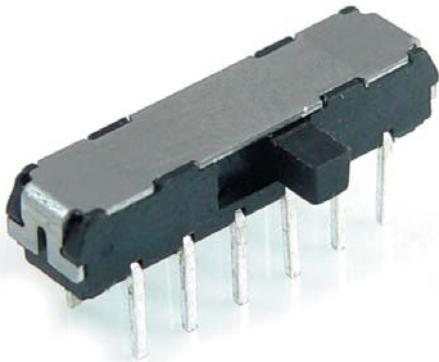
MINIATURE SLIDE SWITCH

► DIMENSION

SS-LU4202



SS-LR4202



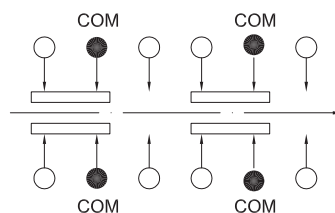
► MATERIAL

- COVER : STAINLESS STEEL
- ACTUATOR : PA9T + GF
- BASE FRAME : PA9T + GF
- TERMINAL : SILVER PLATING

► MATERIAL

- SS-LU(R) : 0.35 ± 0.05 g / pc

► CIRCUIT DIAGRAM



► P.C.B LAYOUT

