



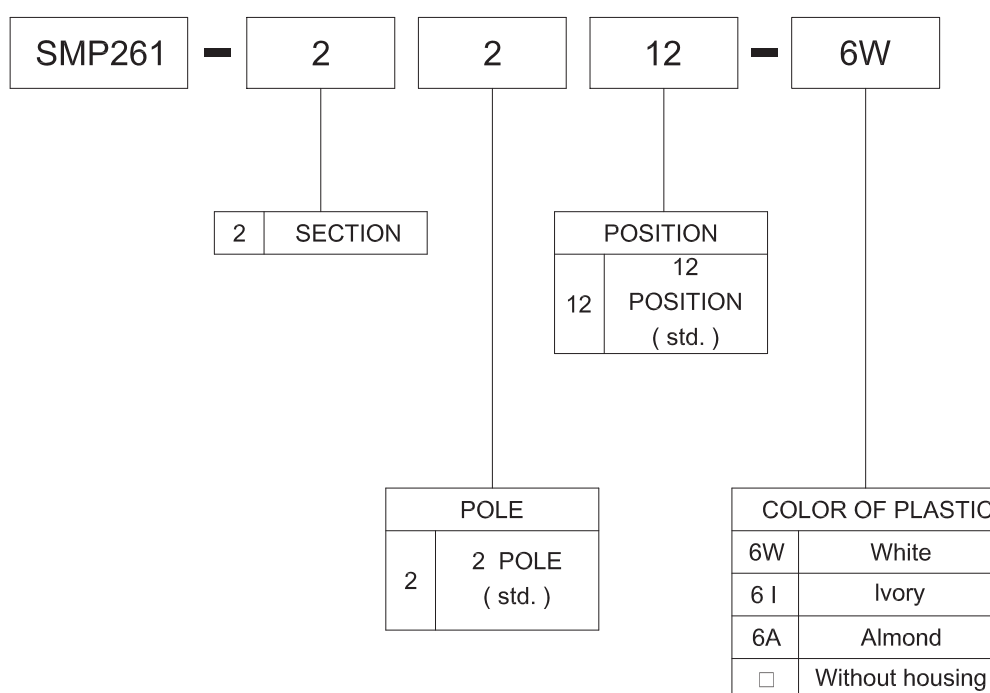
Feature -  
2P12T, with colored knob and plate

Application -  
slide type for volume control in-wall

### ► SPECIFICATIONS

SWITCH SPECIFICATIONS	
POLE - POSITION	2P12T , P.C.B TYPE
CONTACT RATING	30 V DC , 0.3 A
CONTACT RESISTANCE	25 mΩ MAX. 1.5 V DC ; 100 mA , by Method of Voltage DROP
INSULATION RESISTANCE	100 MΩ MIN. 500 V DC
DIELECTRIC STRENGTH	Breakdown is not Allowable ; 500 V AC for 1 Minute
OPERATING FORCE	300 ± 150 gf
OPERATING LIFE	10,000 cycles
OPERATING TEMPERATURE RANGE	-20°C ~ 70°C

### ► HOW TO ORDER

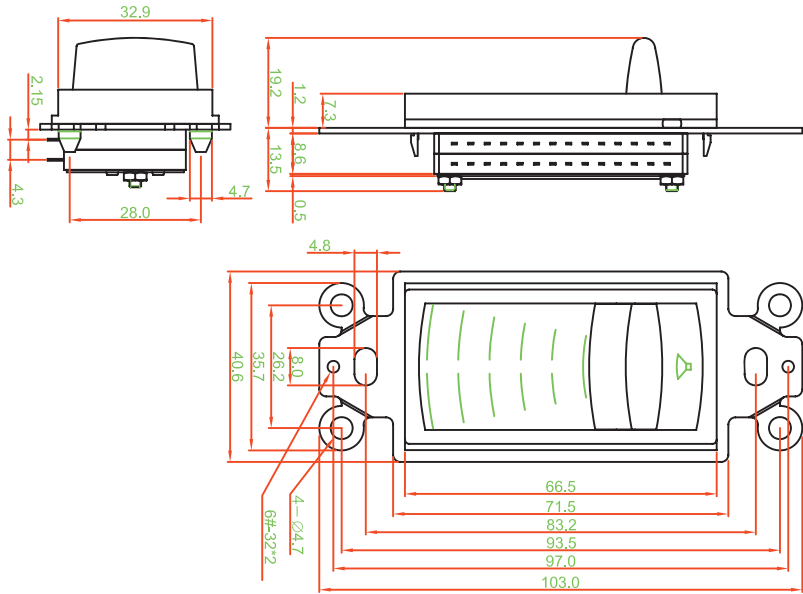


# SMP261 SERIES

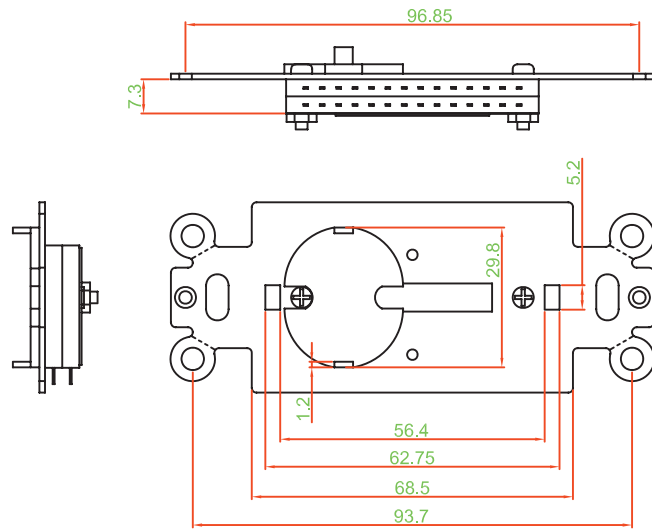
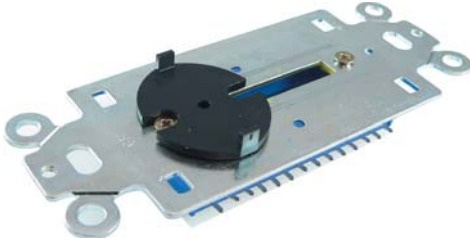
## SLIDE SWITCH

### DIMENSION

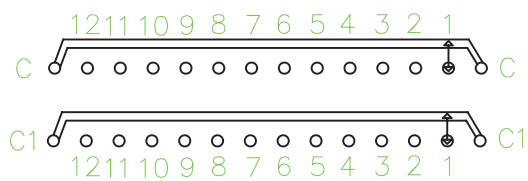
SMP261 - 2-2-12-6W



SMP261 - 2-2-12

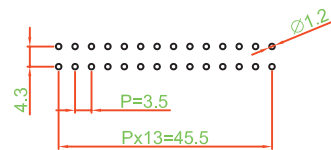


### CIRCUIT DIAGRAM



### P.C.B. LAYOUT

SMP261 - 2-2-12-6□



SMP261 - 2-2-12

