



Feature -

rotary switch with center push function
bi-color LED illuminated available

Application -

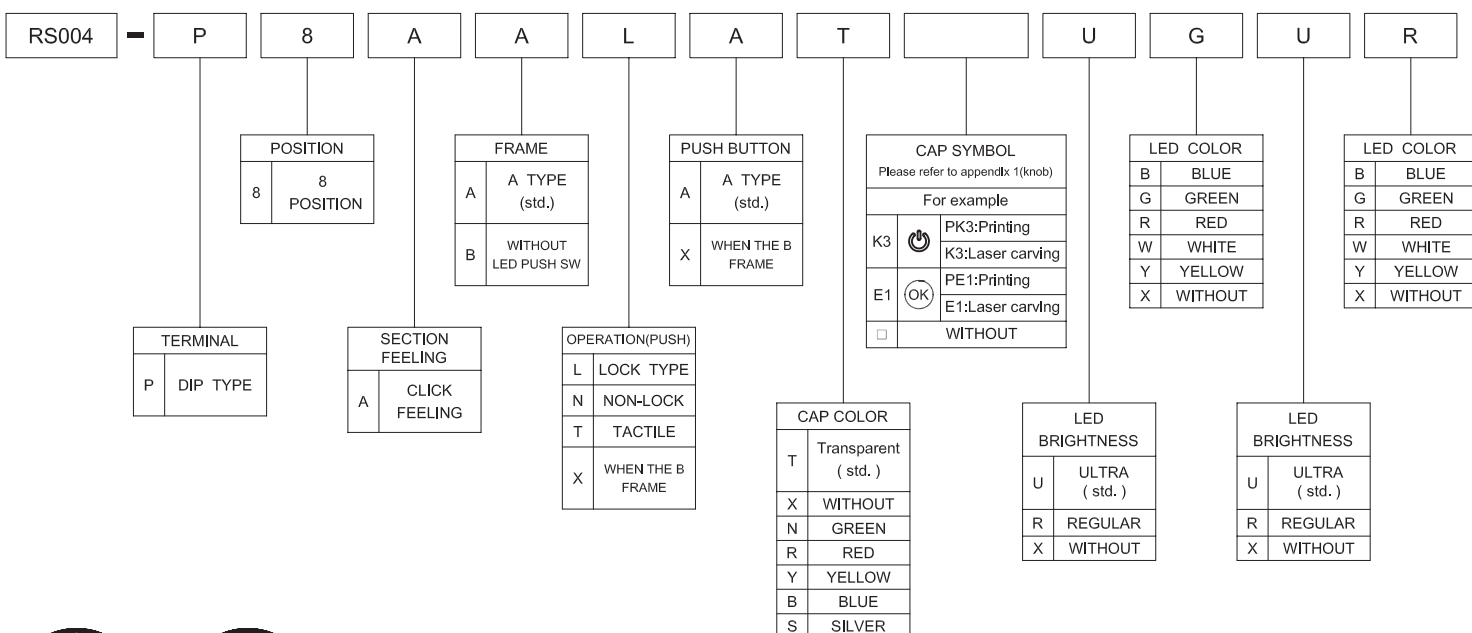
consumer products
audio / video products
instrumentation
communication equipments

► SPECIFICATIONS

SWITCH SPECIFICATIONS	
POLE - POSITION	ROTARY SWITCH : 1P8T PUSH SWITCH : 1P2T or 2P2T
CONTACT RATING	30 V DC , 0.1A / 5V DC , 0.1mA
CONTACT RESISTANCE	200 mΩ MAX. 5 V DC ; 100 mA by Method of Voltage DROP
INSULATION RESISTANCE	100 MΩ MIN . 500 V DC for 1 minute
DIELECTRIC STRENGTH	Breakdown is not Allowable 100 V AC for 1 Minute
OPERATING FORCE	ROTARY SWITCH : 250 ±100 gf.cm PUSH SWITCH : 250 ±100 gf
OPERATING LIFE	With movement click feeling : 10,000 cycles
OPERATING TEMPERATURE RANGE	-20°C ~ 70°C

LED SPECIFICATIONS		Unit	Value / LED Color				
ATTENTION LEDs are Electrostatic Sensitive devices	Symbol (+) ○ — ○ (-)		Blue	Green	Red	White	Yellow
		FORWARD CURRENT	I _f	mA	10	20	20
REVERSE VOLTAGE	V _r	V	5.0	5.0	5.0	5.0	5.0
REVERSE CURRENT	I _r	μA	10	10	10	10	10
FORWARD VOLTAGE	V _f	V	@ 10mA 3.0-4.0	2.1-2.5	2.0-2.5	@ 2mA 2.8-4.0	2.0-2.5
LUMINOUS INTENSITY	I _v	mcd	@ 10mA 200	800	1800	@ 2mA 12	1800

► HOW TO ORDER

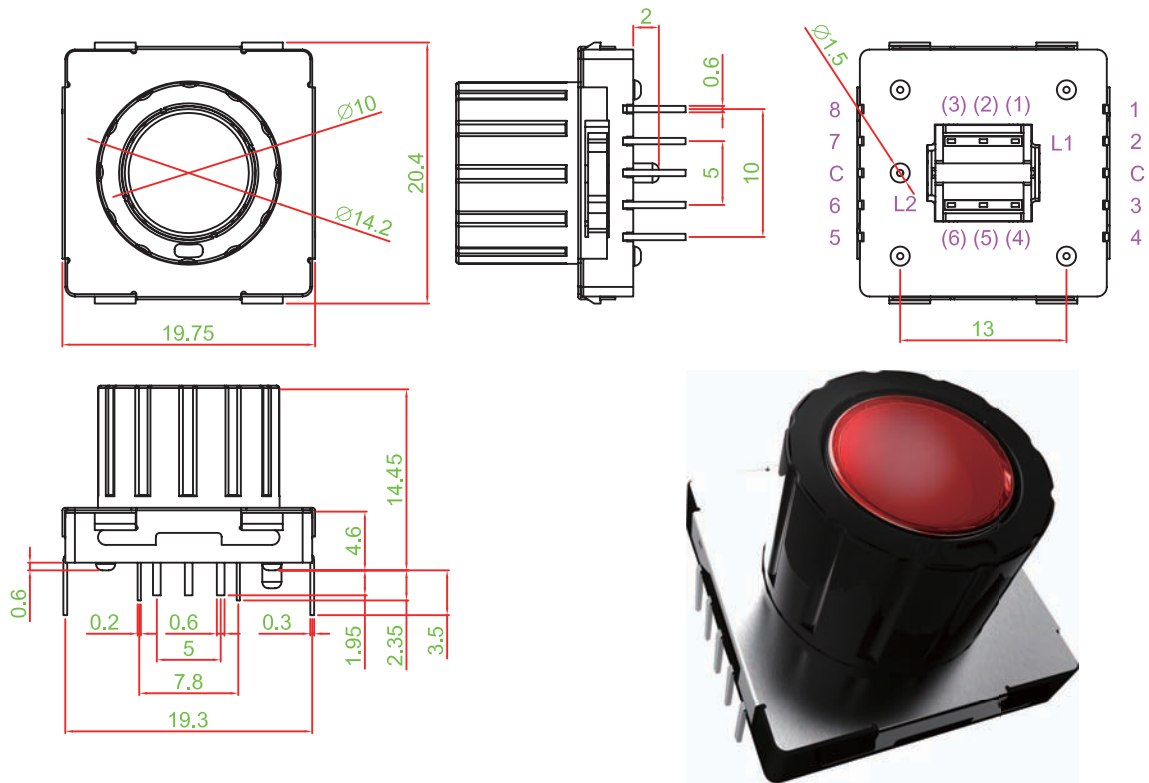


RS004 SERIES

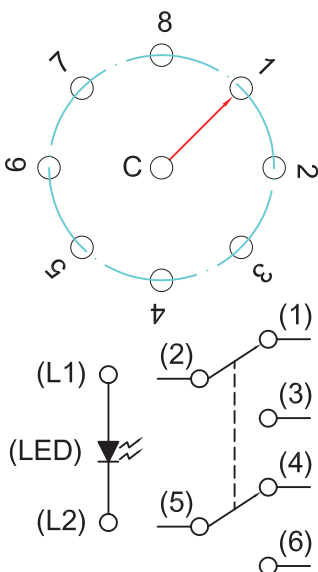
ROTARY + LED PUSH SWITCH

DIMENSION

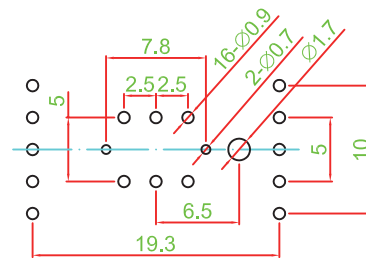
▶ RS004-P8AALAT □ □ □ □



SCHEMATIC



P.C.B. LAYOUT



MATERIAL

- COVER : PC
- FRAME : STAINLESS STEEL
- ACTUATOR : PA + GF
- BASE : PA + GF
- TERMINAL : BRASS ; SILVER PLATING
- MOVING CONTACT : PHOSPHOR BRONZE SILVER PLATING