



Feature -

function selection of multi-position products
signal selection of audios

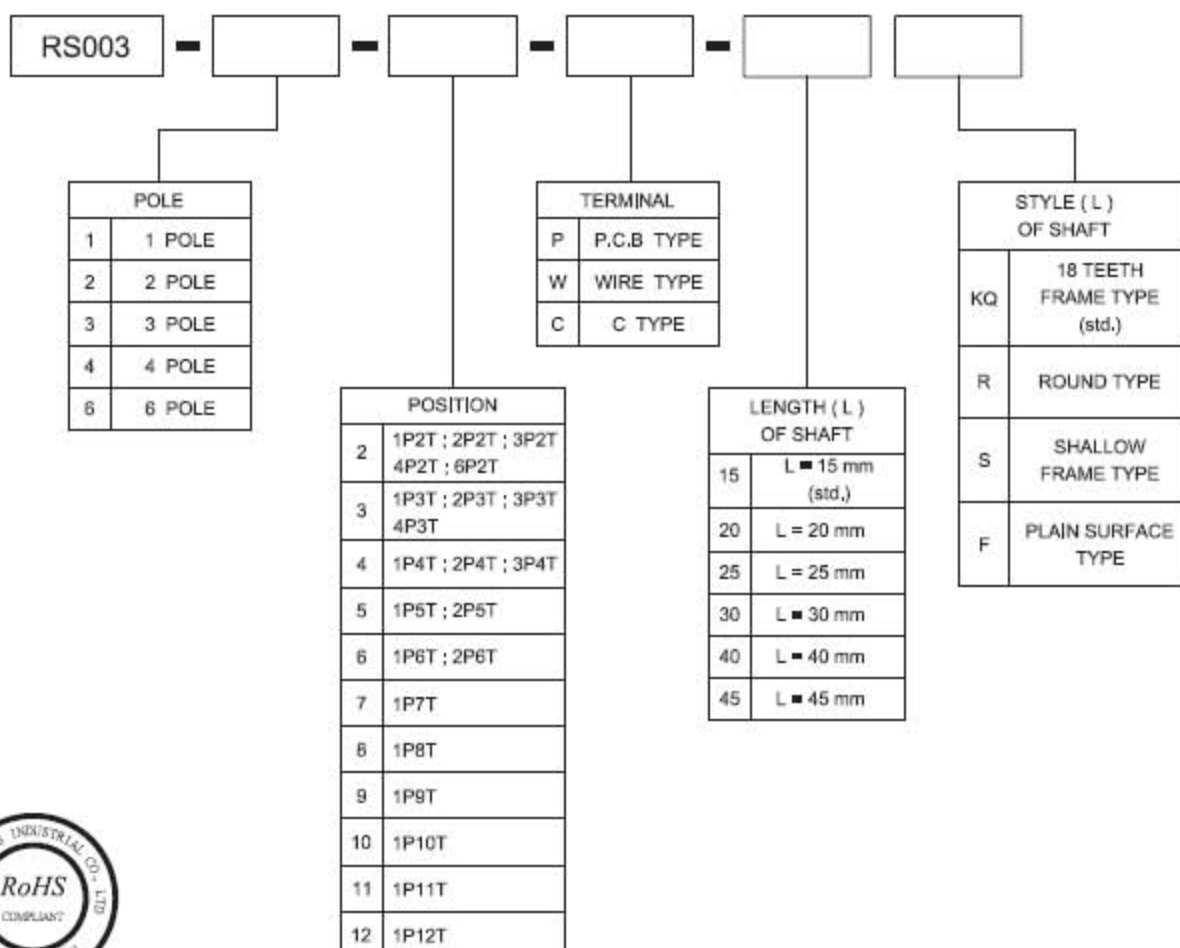
Application -

audio, public audio system

► SPECIFICATIONS

SWITCH SPECIFICATIONS	
POLE - POSITION	Function selection of multi-position products
CONTACT RATING	125 V AC , 0.3 A
CONTACT RESISTANCE	30 mΩ MAX. on DC 5V 1A Measured by Voltage Decreasing Method or Measured by 1 KHZ 2 mV MAX.
INSULATION RESISTANCE	100 MΩ MIN. 500 V DC for 1 minute
DIELECTRIC STRENGTH	Breakdown is not Allowable ; 500 V AC for 1 Minute
ROTATION TORQUE	1.0 ± 0.5 kgf.cm
OPERATING LIFE	10,000 cycles
OPERATING TEMPERATURE RANGE	-20°C ~ 70°C

► HOW TO ORDER

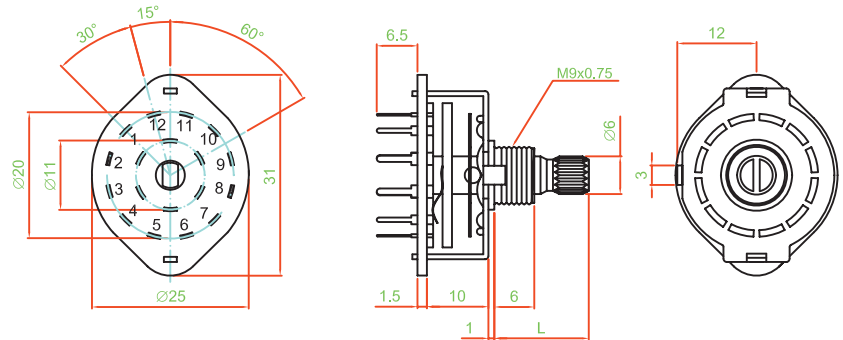


RS003 SERIES

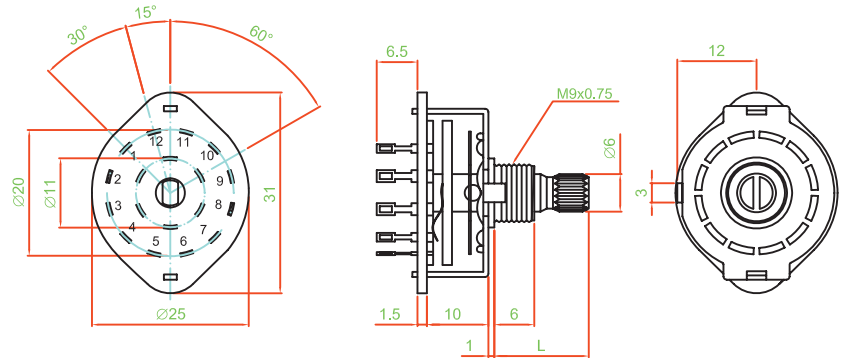
ROTARY SWITCH

► DIMENSION

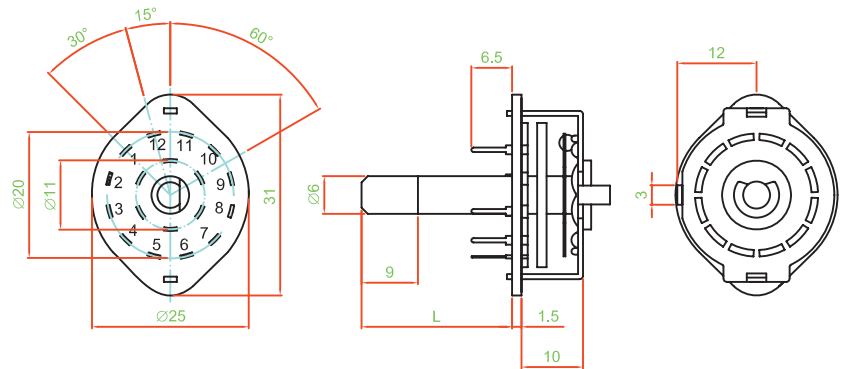
RS003 - 2 - 6 - P - KQ



RS003 - 2 - 6 - W - KQ



RS003 - 1 - 6 - C - F



► SHAFT

KQ	18 TEETH FRAME TYPE	R	ROUND TYPE	S	SHALLOW FRAME TYPE	F	PLAIN SURFACE TYPE
----	---------------------	---	------------	---	--------------------	---	--------------------

