



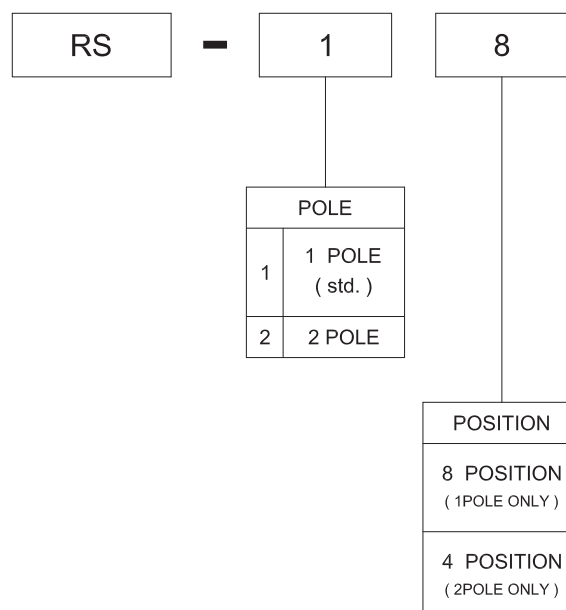
Feature -
small dimension
max. 8 positions

Application -
high value toy
power strip voltage selector
selection key on the application
AV machine, video recorder, air cleaner

► SPECIFICATIONS

SWITCH SPECIFICATIONS	
POLE - POSITION	1P8T , 2P4T
CONTACT RATING	30 V DC , 0.5 A
CONTACT RESISTANCE	25 mΩ MAX. 1.5 V DC ; 100 mA , by Method of Voltage DROP
INSULATION RESISTANCE	100 MΩ MIN. 500 V DC
DIELECTRIC STRENGTH	Breakdown is not Allowable ; 500 V AC for 1 Minute
OPERATING FORCE	1P8T : 1000 ± 300 gf.cm
OPERATING LIFE	10,000 cycles
OPERATING TEMPERATURE RANGE	-20°C ~ 70°C

► HOW TO ORDER

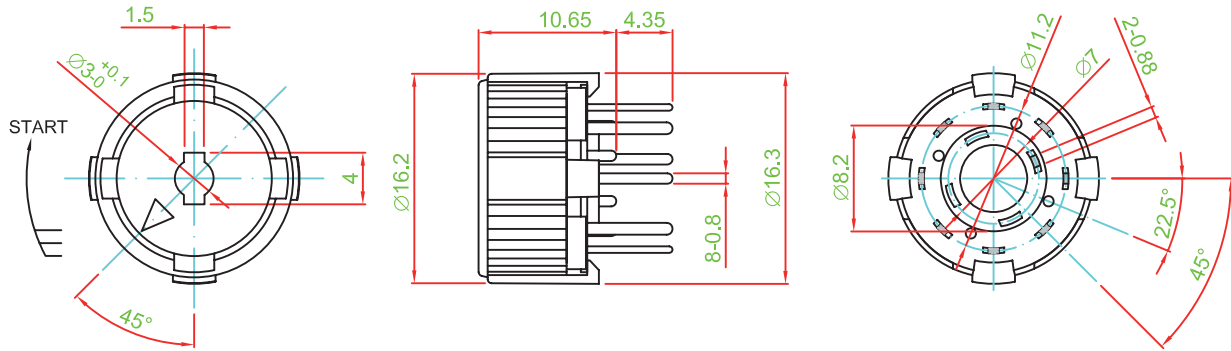


RS SERIES

ROTARY SWITCH

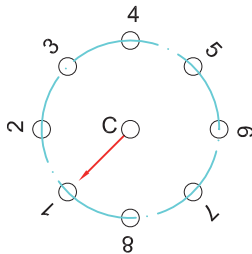
DIMENSION

▶ RS - 18

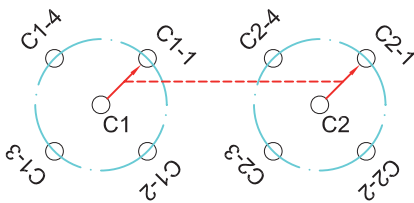


SCHEMATIC

RS-18

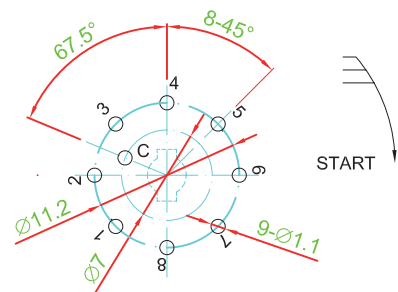


RS-24

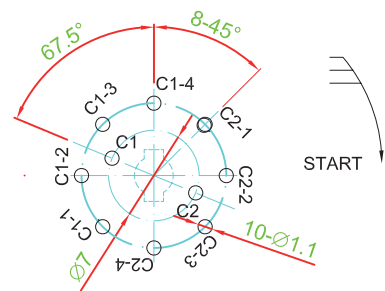


P.C.B. LAYOUT

RS-18



RS-24



UNIT WEIGHT

■ RS : 1.8 ± 0.05 g / pc

MATERIAL

- FRAME - PC
- BASE FRAME - PA + GF
- TERMINAL - BRASS SILVER PLATING