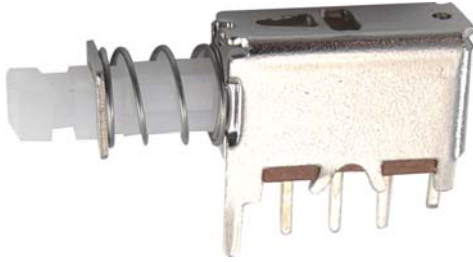


# MS SERIES

## PUSH BUTTON SWITCH



### Feature -

0.3A, 30 V DC for Power  
1 pole & 2 poles circuitry

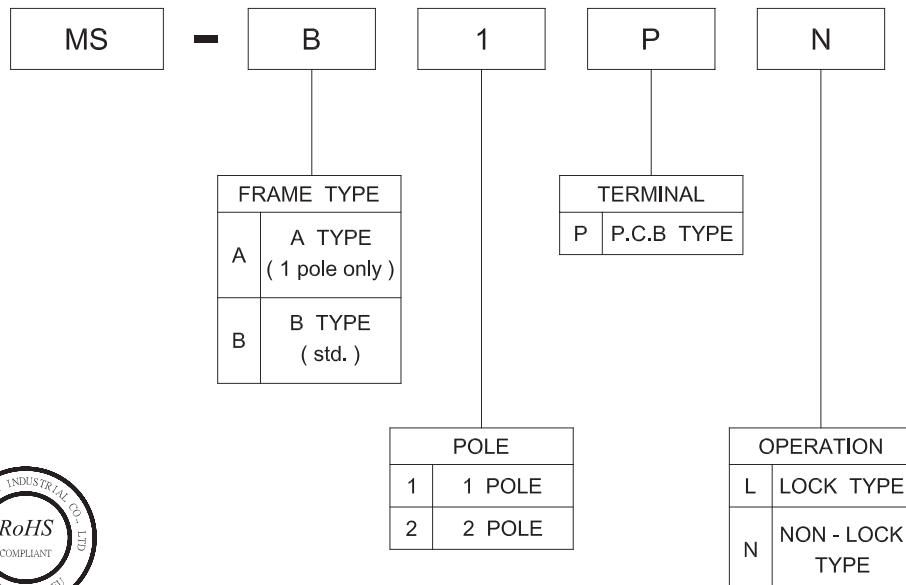
### Application -

home electronic equipments  
industrial electronic equipments  
audio system  
ADSL modem  
wireless AP

## ► SPECIFICATIONS

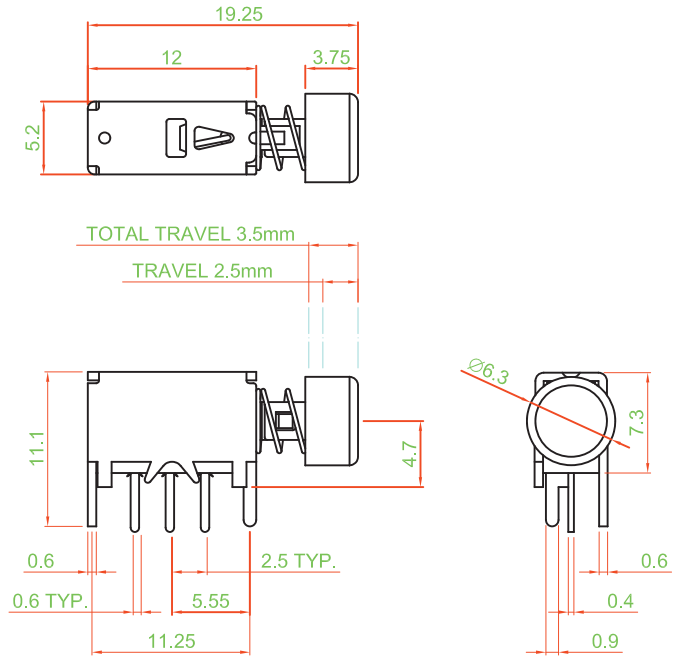
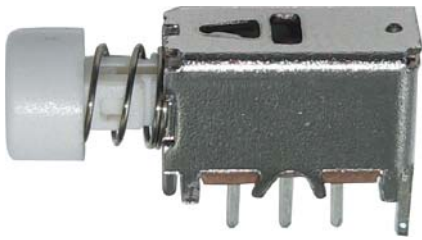
SWITCH SPECIFICATIONS	
POLE - POSITION	1P2T , 2P2T , Momentary and Lock Type are Available
CONTACT RATING	30 V DC , 0.3 A
CONTACT RESISTANCE	30 mΩ MAX. 1.5 V DC ; 100 mA , by Method of Voltage DROP
INSULATION RESISTANCE	100 MΩ MIN. 500 V DC
DIELECTRIC STRENGTH	Breakdown is not Allowable 500 V DC for 1 Minute
OPERATING FORCE	1P2T : 200 ± 100gf 2P2T : 250 ± 100gf
OPERATING LIFE	10,000 cycles
OPERATING TEMPERATURE RANGE	-20°C ~ 70°C
TOTAL TRAVEL	3.5 ± 0.3 mm

## ► HOW TO ORDER

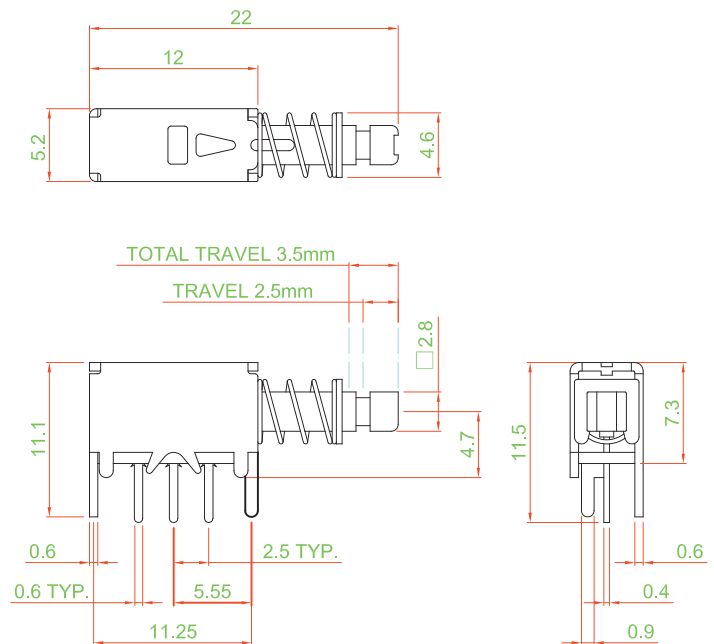


► DIMENSION

MS - A1PL



MS - B1PN

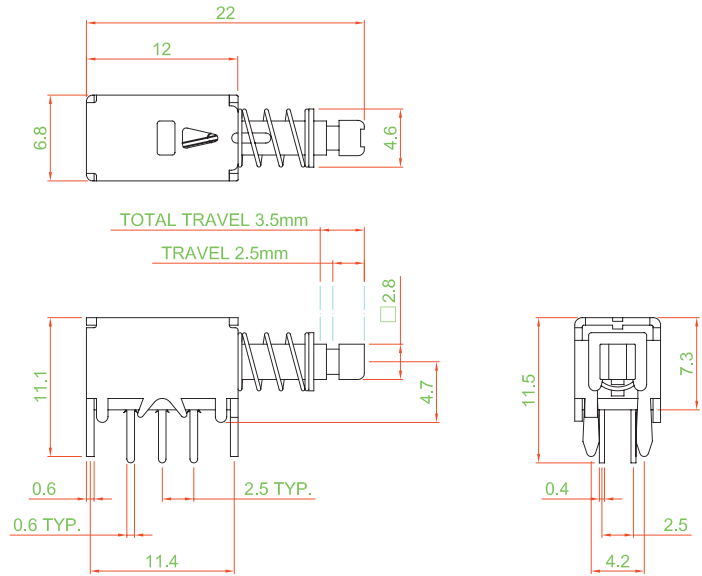


# MS SERIES

PUSH BUTTON SWITCH

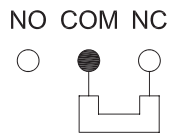
## DIMENSION

MS - B2PL



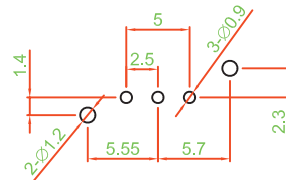
## CIRCUIT

MS - B1PN

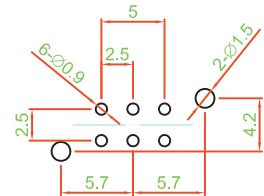


## P.C.B LAYOUT

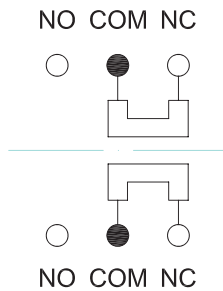
MS - B1PN



MS - B2PN



MS - B2PN



## MATERIAL

- ACTUATOR : PA + GF
- FRAME : STEEL PLATE
- TERMINAL : BRASS SILVER PLATING
- SPRING : STAINLESS STEEL

## UNIT WEIGHT

- MS - B1PN : 1.4 ± 0.05 g / pc
- MS - B2PN : 1.8 ± 0.05 g / pc