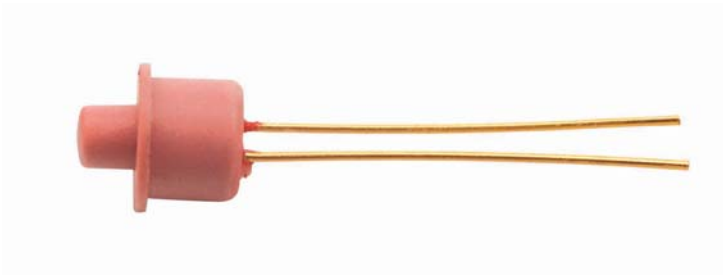


MP SERIES

MINI SIZE PUSH BUTTON SWITCH



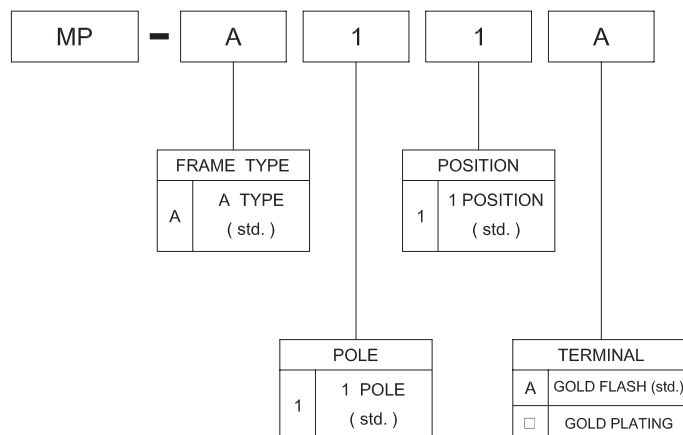
Feature -
mini size
SPST, momentary function

Application -
hearing aid
hand-held device

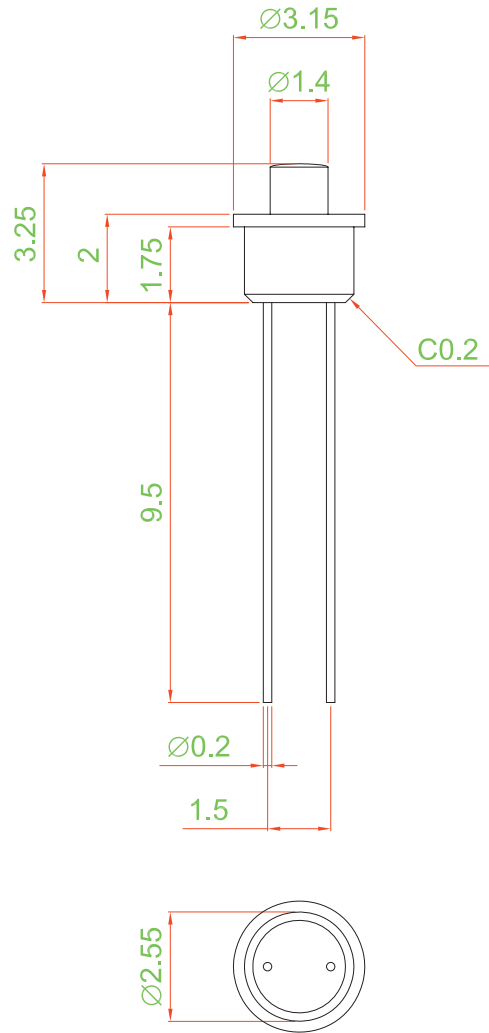
► SPECIFICATIONS

| SWITCH SPECIFICATIONS | |
|-----------------------------|--|
| POLE - POSITION | Momentary action , SPST |
| CONTACT RATING | 3 V DC , 100 mA |
| CONTACT RESISTANCE | 150 mΩ MAX. 1.5 V DC ; 100 mA , by Method of Voltage DROP |
| INSULATION RESISTANCE | 1 MΩ MIN. 100 V DC |
| DIELECTRIC STRENGTH | Breakdown is not Allowable ; 100 V AC for 1 Minute |
| OPERATING FORCE | 75 gf ~ 150 gf |
| OPERATING LIFE | 100,000 cycles |
| OPERATING TEMPERATURE RANGE | -20°C ~ 70°C |

► HOW TO ORDER

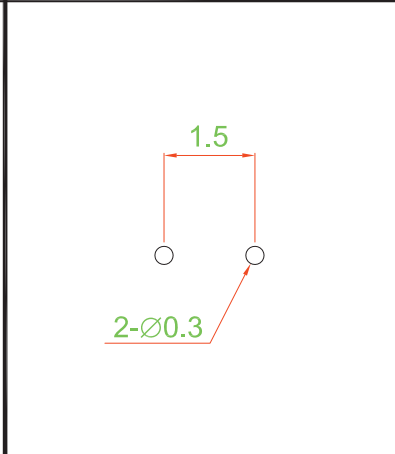
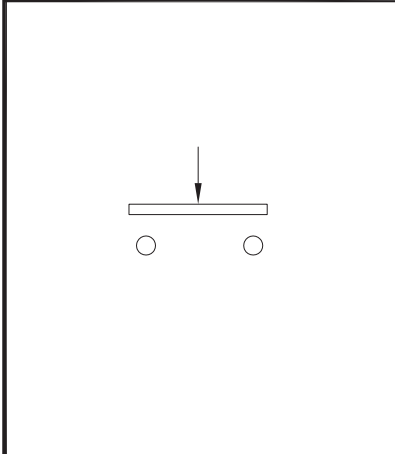


▶ DIMENSION



▶ MP-A11A

▶ CIRCUIT ▶ P.C.B LAYOUT ▶ MATERIAL



- COVER : PA + GF
- ACTUATOR : PA + GF
- BASE FRAME : PA + GF
- TERMINAL : BRONZE GOLD FLASH

▶ UNIT WEIGHT

- MP : 0.02 ± 0.05 g / pc