
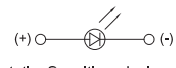


Feature -
bi-color LED illuminated available
SPST, lock / non-lock function

Application -
computer products
office appliances
communication equipments

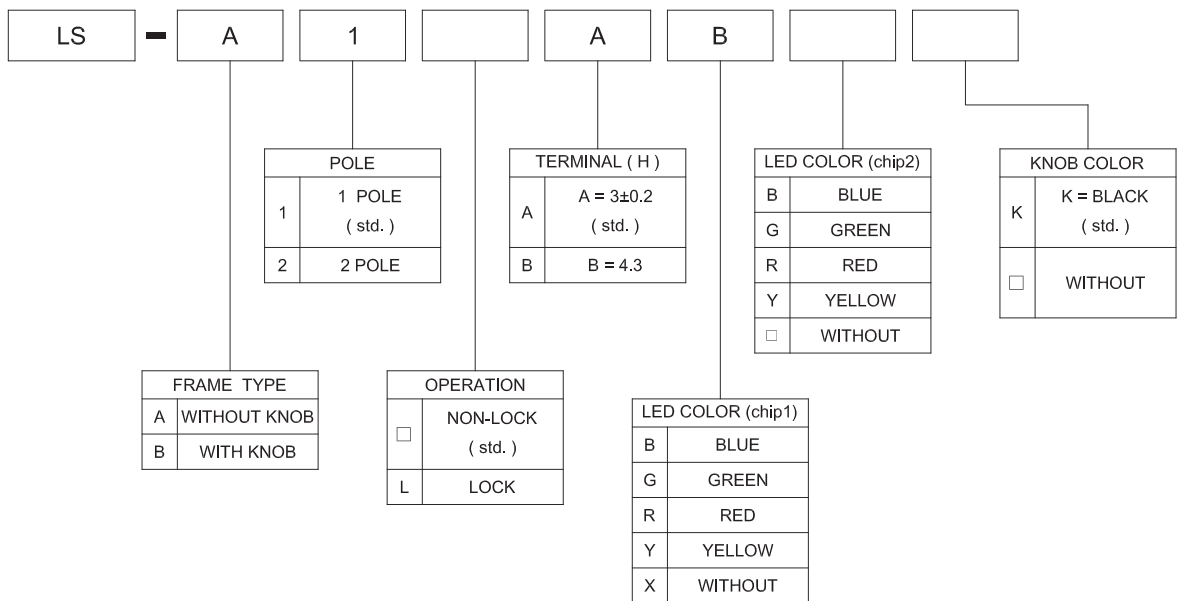
► **SPECIFICATIONS**

SWITCH SPECIFICATIONS	
POLE - POSITION	Momentary Type , LOCK Type with LED
CONTACT RATING	36 V DC , 0.2 A
CONTACT RESISTANCE	40 mΩ MAX. 1.5 V DC ; 100 mA , by Method of Voltage DROP
INSULATION RESISTANCE	100 MΩ MIN. 500 V DC
DIELECTRIC STRENGTH	Breakdown is not Allowable ; 500 V AC for 1 Minute
OPERATING FORCE	200 ± 100 gf
OPERATING LIFE	10,000 cycles
OPERATING TEMPERATURE RANGE	-20°C ~ 70°C
TOTAL TRAVEL	FULL TRAVEL : 2.2 ± 0.3 mm CONTACT TRAVEL : 1.6 ± 0.3 mm

LED SPECIFICATIONS						
 ATTENTION LEDs are Electrostatic Sensitive devices	 (+) ○ — ⊗ — ○ (-)	Unit	Value / LED Color			
			Blue	Green	Red	Yellow
FORWARD CURRENT	If	mA	20	20	20	20
REVERSE VOLTAGE	Vr	V	5.0	5.0	5.0	5.0
REVERSE CURRENT	Ir	μA	10	10	10	10
FORWARD VOLTAGE@20mA	Vf	V	3.3-4.0	2.1-2.5	2.0-2.5	2.0-2.5
LUMINOUS INTENSITY@20mA	Iv	mcd	1300	700	900	700

■ Physical and electrical information of LED will be provided upon customer's request on switches .

► **HOW TO ORDER**

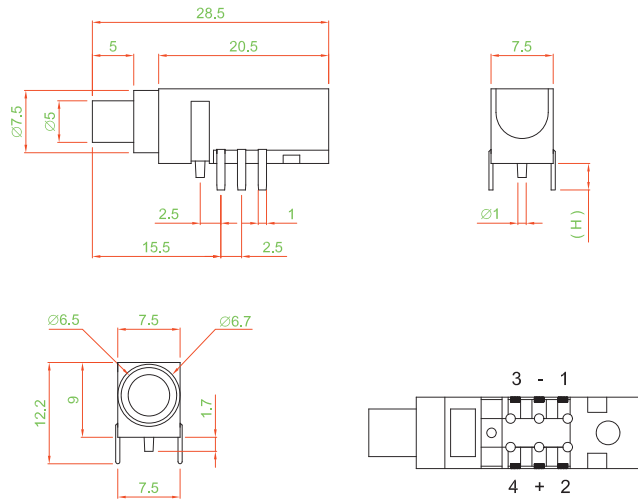


LS SERIES

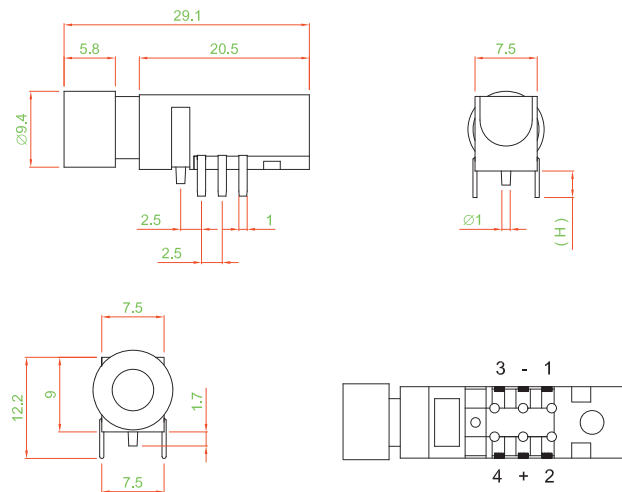
LED PUSH BUTTON SWITCH

► DIMENSION

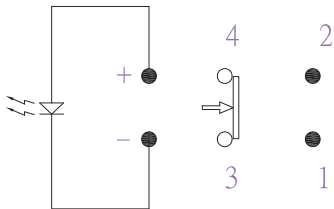
LS - A1A □ □



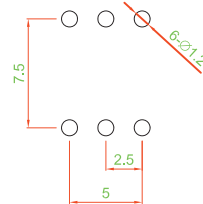
LS - B1A □ □ K



► SCHEMATIC



► P.C.B LAYOUT



► MATERIAL

- COVER : PA + GF
- ACTUATOR : PA + GF
- BASE FRAME : PA + GF
- TERMINAL : SILVER PLATING , GOLD PLATED

► UNIT WEIGHT

- LS - A1A □ □ : 1.7 ± 0.05 g / pc
- LS - B1A □ □ K : 2.0 ± 0.05 g / pc