



Feature -

- small size push switch (12x6 mm)
- bi-color LED illuminated available
- lock / non-lock function

Application -

- consumer products
- computer products
- instrumentation
- communication equipments

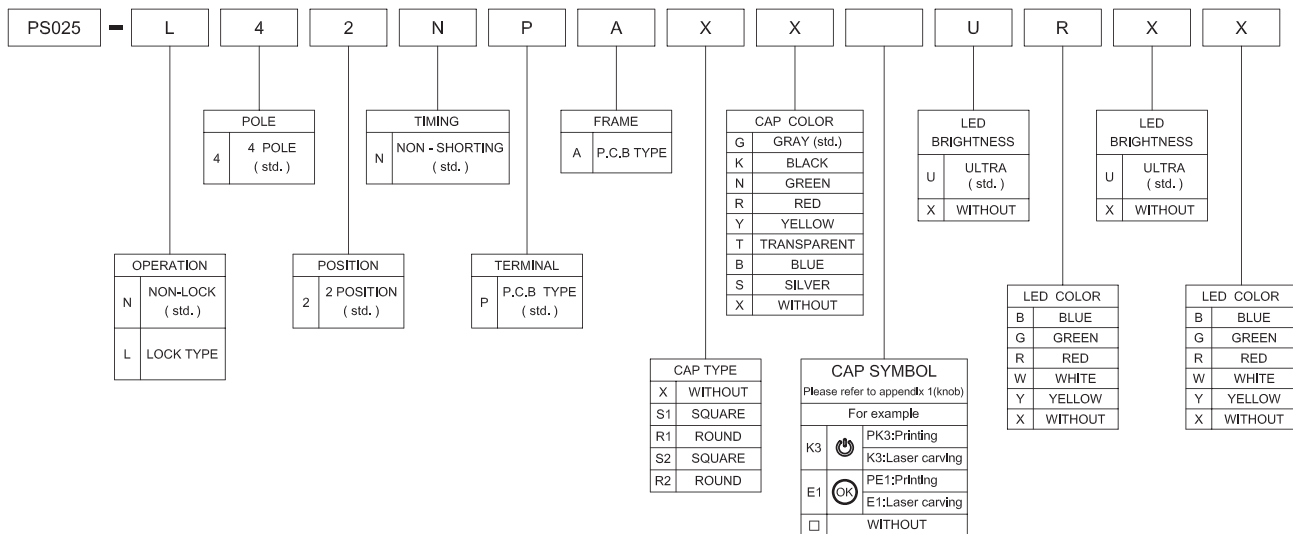
► SPECIFICATIONS

SWITCH SPECIFICATIONS	
POLE - POSITION	4P2T
CONTACT RATING	12 V DC , 50 mA
CONTACT RESISTANCE	100 mΩ MAX. 1.5 V DC ; 100 mA , by Method of Voltage DROP
INSULATION RESISTANCE	100 MΩ MIN. 500 V DC for 1 minute
DIELECTRIC STRENGTH	Breakdown is not Allowable ; 500 V AC for 1 Minute
OPERATING FORCE	300 ± 100 gf
OPERATING LIFE	50,000 cycles
OPERATING TEMPERATURE RANGE	-40°C ~ 85°C
TOTAL TRAVEL / OPERATING TRAVEL	2 ± 0.3 mm / 1.0 ± 0.3 mm

LED SPECIFICATIONS						
ATTENTION LEDs are Electrostatic Sensitive devices	Unit	Value / LED Color				
		Blue	Green	Red	Yellow	
FORWARD CURRENT	If	mA	20	20	20	20
REVERSE VOLTAGE	Vr	V	5.0	5.0	5.0	5.0
REVERSE CURRENT	Ir	µA	10	10	10	10
FORWARD VOLTAGE@20mA	Vf	V	3.3-4.0	2.1-2.5	2.0-2.5	2.0-2.5
LUMINOUS INTENSITY@20mA	Iv	mcd	1300	700	900	700

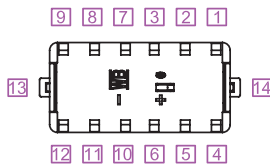
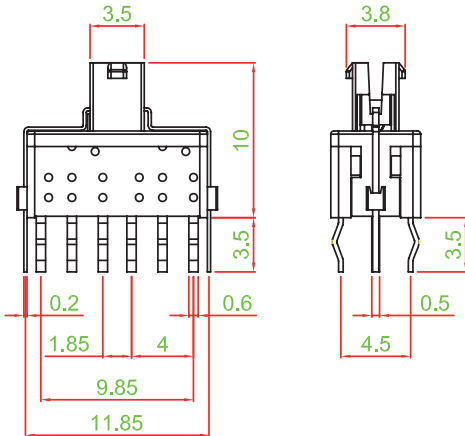
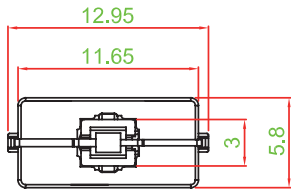
Physical and electrical information of LED will be provided upon customer's request on switches .

► HOW TO ORDER



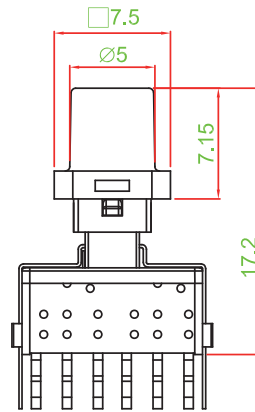
► DIMENSION

PS025-L42NPAXX □ □ □ □

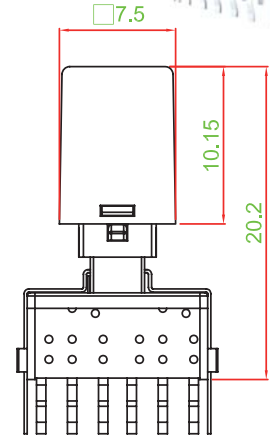


► CAP TYPE

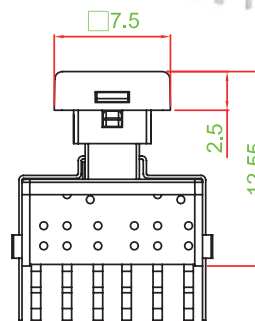
S1 TYPE



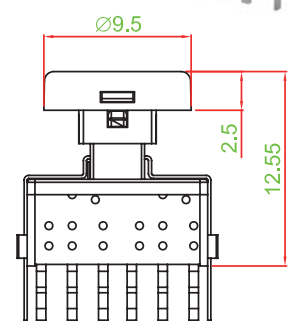
R1 TYPE



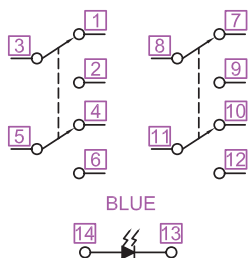
S2 TYPE



R2 TYPE

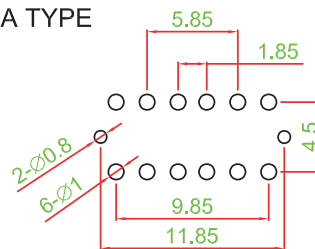


► SCHEMATIC



► P.C.B LAYOUT

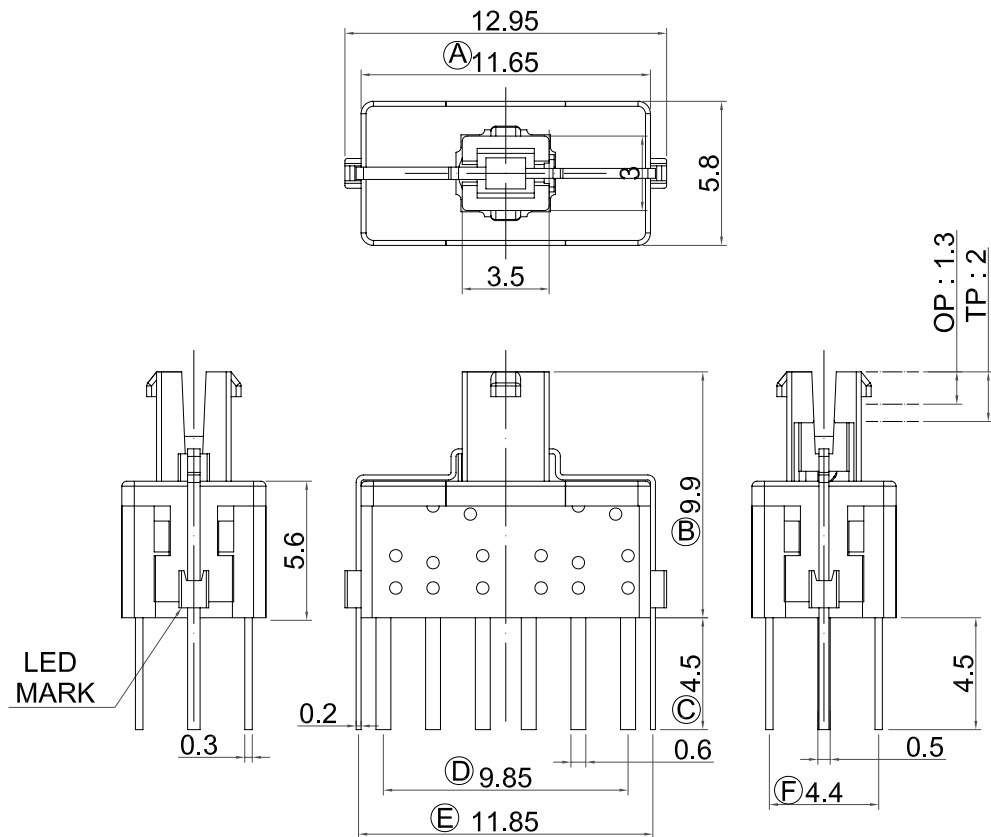
A TYPE



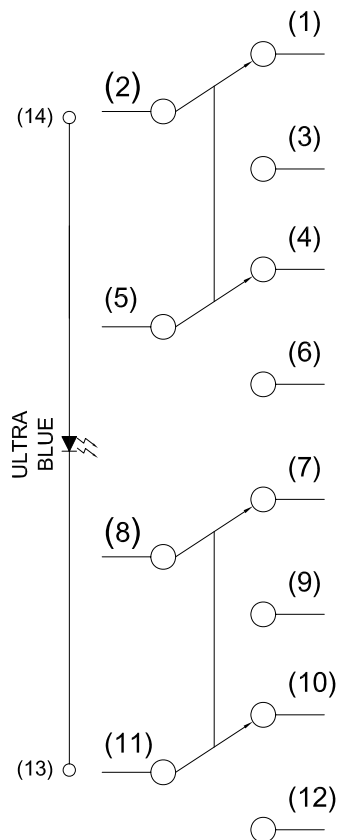
► MATERIAL

- COVER : PA + GF
- ACTUATOR : PA + GF
- TERMINAL : BRONZE SILVER PLATING
- FRAME : PA + GF
- SPRING : STAINLESS STEEL

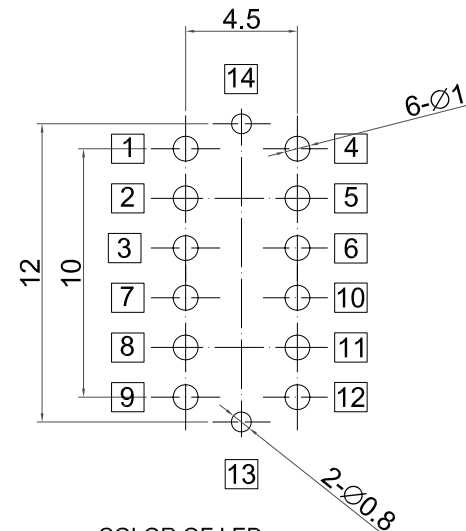
DIMENSION	TOLERANCE
BELOW 10 mm	± 0.3
10~100 mm	± 0.5
ABOVE 100 mm	± 0.8
ANGLE	± 3°



CIRCUIT DIAGRAM



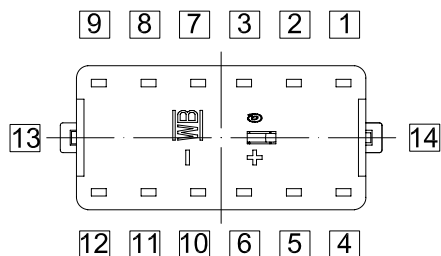
P.C.B LAYOUT



COLOR OF LED

G	Green	Y	Yellow
R	Red	B	Blue
O	Orange	W	White
X	Without		

1. OPERATION : LOCK TYPE
2. RATING : 12 V DC , 50 mA .
3. CONTACT RESISTANCE : 100 mΩ MAX .
4. INSULATION RESISTANCE : 500 V DC , 100MΩ MIN .
5. OPERATION FORCE : 250± 50 gf .
6. OPERATION TEMPERATURE RANGE : -20°C ~ +70°C .
7. OPERATION LIFE : 50,000 CYCLES .
8. CRITICAL DIMENSIONS: 'A' ~ 'F'



△				DATE	2014/06/11	UNIT	mm	MODE	PUSH SWITCH
△				APPROVAL	KAVEN	SCALE	1 : 1	PART	PS025
△				CONFIRM	TEREANCE	VIEW	⊕	2D FILE NAME	PS025
	DATE	APPROVAL	DESIGN	ENGINEERING CHANGE DESCRIPTION	DESIGN	ANDY	VER.	01	3D FILE NAME