

PS014 SERIES

PUSH BUTTON SWITCH



Feature -

push / pull switch
SPDT, DPDT, momentary function

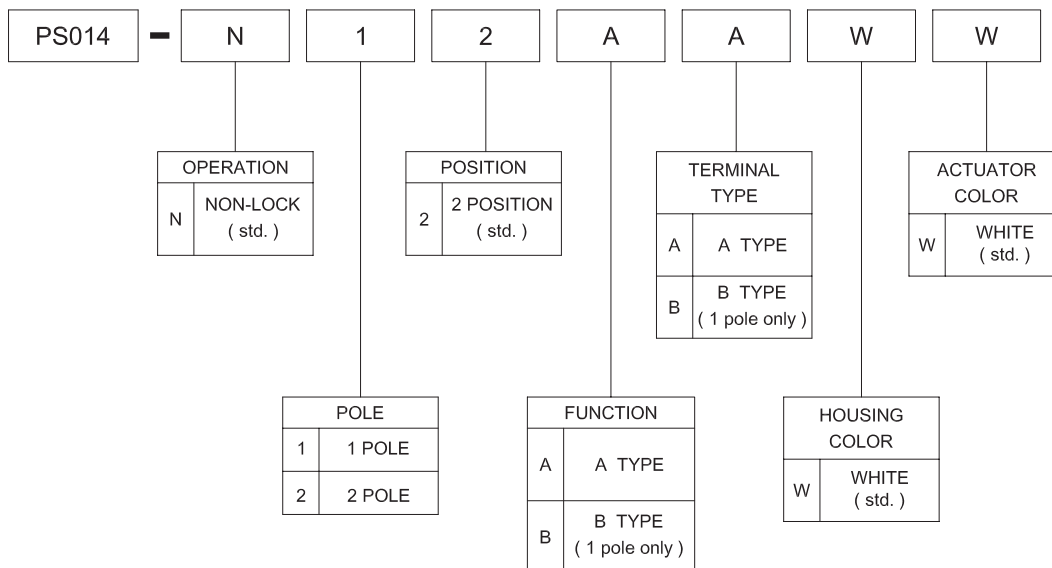
Application -

equipments
game machines
office appliances
electrical home appliances

SPECIFICATIONS

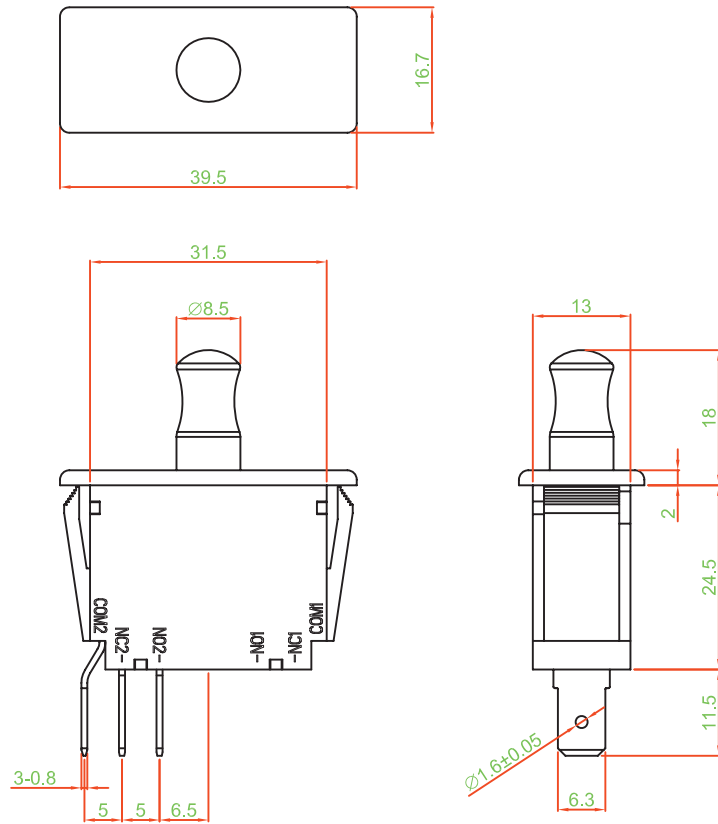
SWITCH SPECIFICATIONS	
POLE - POSITION	Momentary type , SPDT , DPDT
CONTACT RATING	250 V AC , 10(6) A
CONTACT RESISTANCE	100 mΩ MAX. 1.5 V DC ; 100 mA , by method of voltage DROP
INSULATION RESISTANCE	500 MΩ MIN. 500 V DC
DIELECTRIC STRENGTH	Breakdown is not allowable ; 1000 V AC for 1 minute
OPERATING FORCE	SPDT : PUSH : 400±100 PULL : 450±200 DPDT : PUSH : 500±200 PULL : 700±300
OPERATING LIFE	50,000 cycles
OPERATING TEMPERATURE RANGE	-20°C ~ 70°C
TOTAL TRAVEL	5.5 ± 0.3 mm

HOW TO ORDER

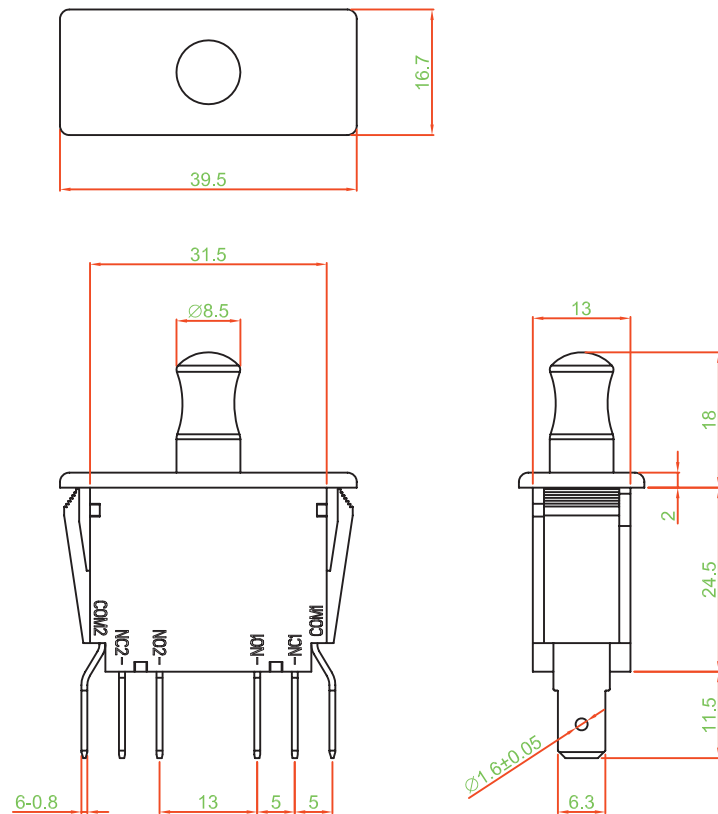


► DIMENSION

PS014-N12AAWW



PS014-N22AAWW

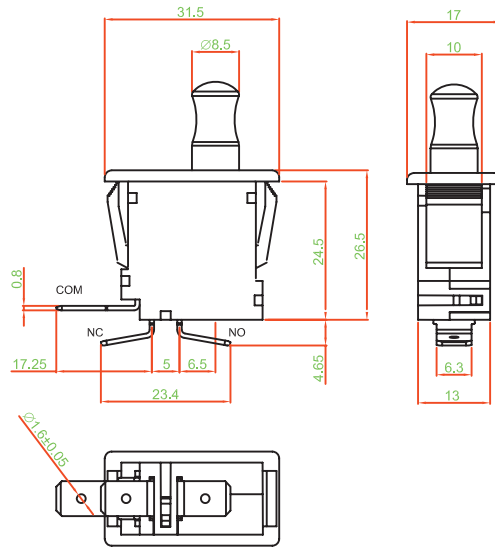


PS014 SERIES

PUSH BUTTON SWITCH

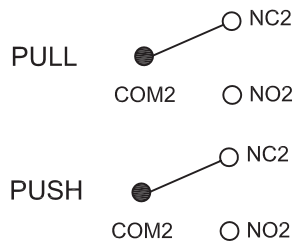
► DIMENSION

PS014-N12BBWW

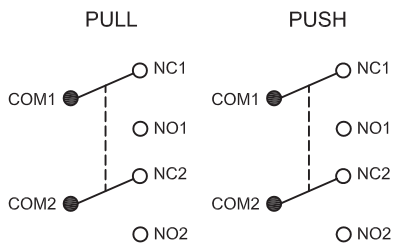


► CIRCUIT

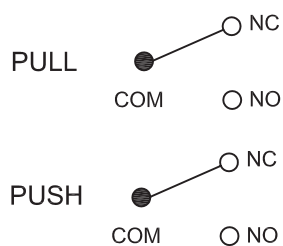
PS014-N12AAWW



PS014-N22AAWW



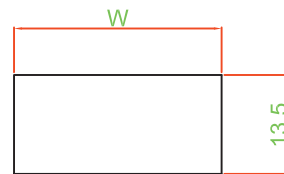
PS014-N12BBWW



► PANEL CUT OUT

PS014-N□2AA□□	
PANEL THICK	W
0.75 ~ 1.25	36
1.25 ~ 2.0	36.5
2.0 ~ 3.0	37

PS014-N12BB□□	
PANEL THICK	W
0.75 ~ 1.25	28
1.25 ~ 2.0	28.5
2.0 ~ 3.0	29



► MATERIAL

- ACTUATOR : PA66
- FRAME : PA66
- SPRING : STAINLESS STEEL
- TERMINAL : PHOSPHOR BRONZE SILVER PLATING
- MOVING CONTACT : PHOSPHOR BRONZE SILVER PLATING

► UNIT WEIGHT

- PS014-N12AAWW : 13.5 ± 0.1 g / pc
- PS014-N22AAWW : 18.9 ± 0.1 g / pc
- PS014-N12BBWW : 12.2 ± 0.1 g / pc