

PS007 SERIES

LCD DISPLAY PUSH SWITCH



Feature -

FSTN LCD display resolution: 64*32 pixels
 view size: 0.9"
 SPST, momentary function

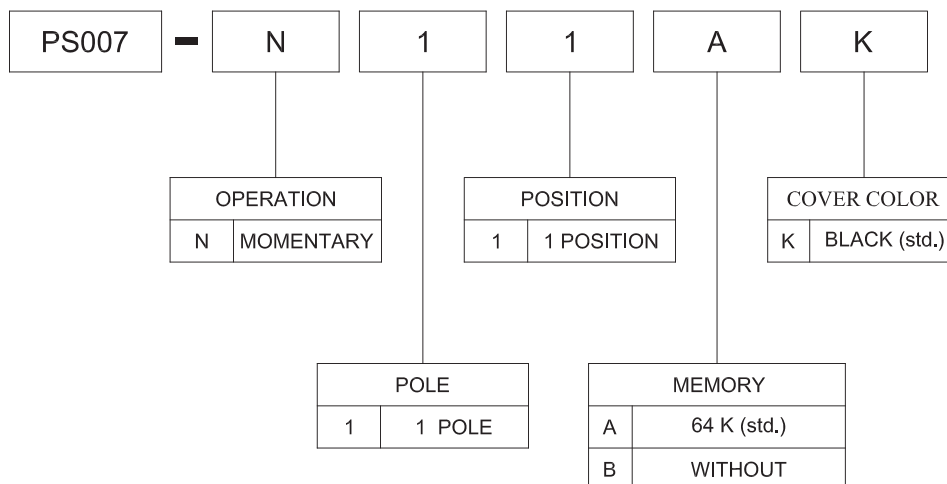
Application -

audio / video switchers
 instrumentation
 telecommunication
 broadcast system
 security system

► SPECIFICATIONS

SWITCH SPECIFICATIONS	
POLE - POSITION	OFF - <ON> for Momentary Type , SPST
CONTACT RATING	100mA 12V DC
CONTACT RESISTANCE	200 Ω MAX.
INSULATION RESISTANCE	100 MΩ MIN. 500 V DC
DIELECTRIC STRENGTH	Breakdown is not Allowable ; 500 V AC for 1 Minute
OPERATING FORCE	200 ± 100 gf
OPERATING LIFE	1,000,000 cycles
OPERATING TEMPERATURE RANGE	-10°C ~ 60°C
TOTAL TRAVEL	2.0 ± 0.2 mm

► HOW TO ORDER



▶ LCD ELECTRICAL CHARACTERISTICS

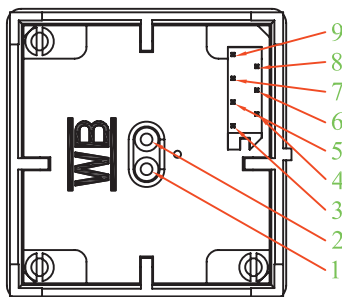
DISPLAY

ITEM	CHARACTERISTICS	Unit
LCD type	FSTN / Transflective / Positive	
Pixels	64 * 32	Dot
View area	17.8 * 13.0	mm ²
Dots size	0.235 * 0.335	mm ²
Dots pitch	0.25 * 0.35	mm ²
Viewing angle	6 O'clock	
Operating temperature	-10 to 70	°C
Storage temperature	-20 to 80	°C
Duty ratio	1/32	Duty
Bias	1/6	Bias

BACKLIGHT

COLOR : Over 32K color of backlight					
Dominant Wavelength :					
Device	MIN.	TYP.	MAX.	Units	Test Conditions
Hyper RED	620	650	640	mm	IF=20mA
GREEN	513	515	537		
BLUE	458	468	477		

PIN STRUCTURE



PIN NO.	SYMBOL	NAME	FUNCTION
1	SW1	Switch Pin	Normally open
2	SW2	Switch Pin	Normally open
3	ALARM	ALARM	Button is pushed
4	SCS	Slave Control Select	
5	SDO	Data Out	Data output line for SPI
6	SDI	Data In	Data input line for SPI
7	SCK	Serial Clock	Clock line to synchronize data write for SPI
8	GND	Ground	
9	VDD	Power	Power source for logic current and LCD

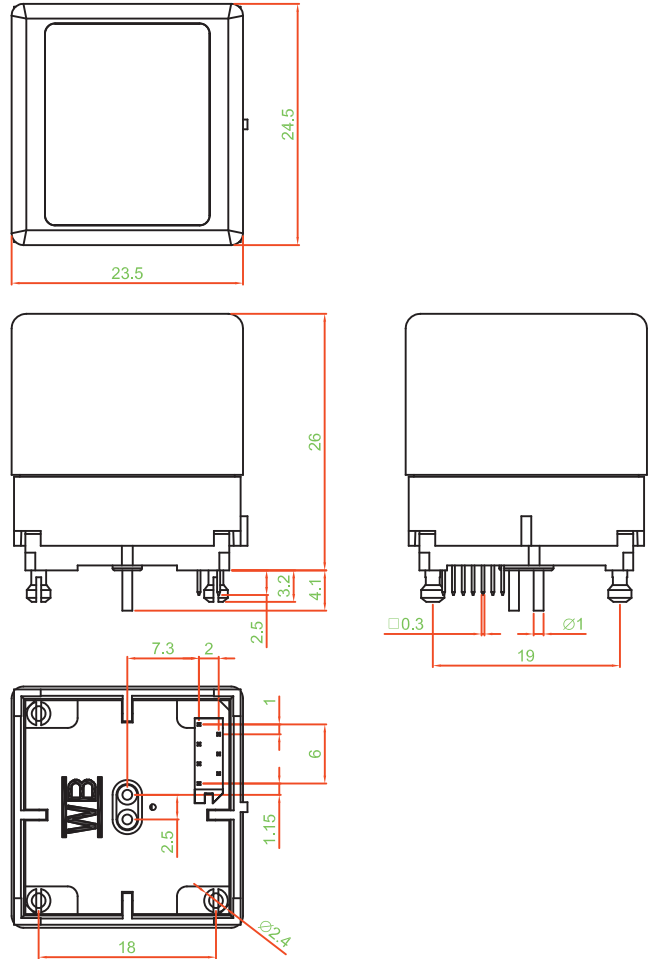
*.詳細資料請與公司業務聯繫 More details please contact with sales.

PS007 SERIES

LCD DISPLAY PUSH SWITCH

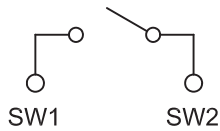
► DIMENSION & FRAME TYPE

PS007-N11AK

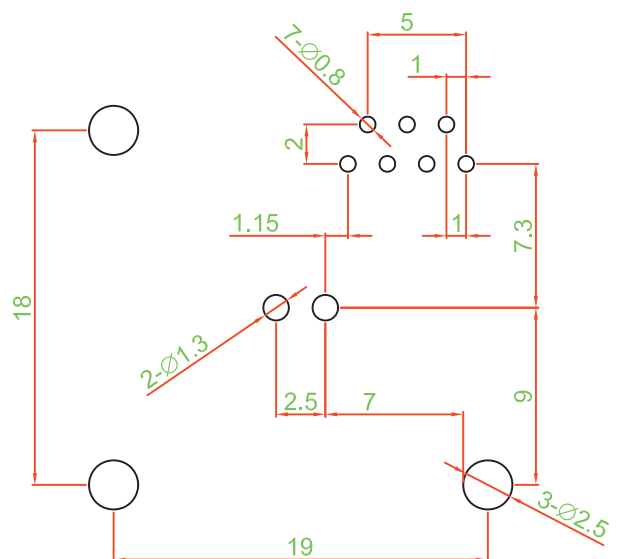


► SCHEMATIC

SWITCH



► P.C.B LAYOUT



► MATERIAL

- COVER : PC
- ACTUATOR : POM
- BASE FRAME : PA + GF
- TERMINAL : BRASS SILVER PLATING
- MOVING CONTACT : PHOSPHOR BRONZE SILVER PLATING