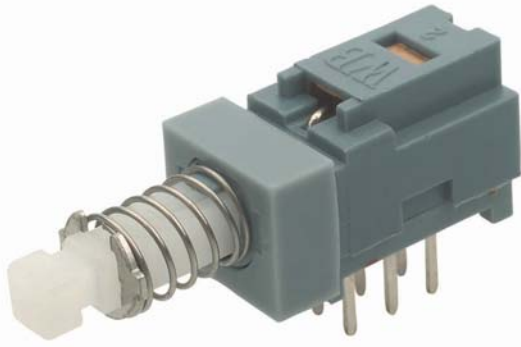


PD SERIES

PUSH BUTTON SWITCH



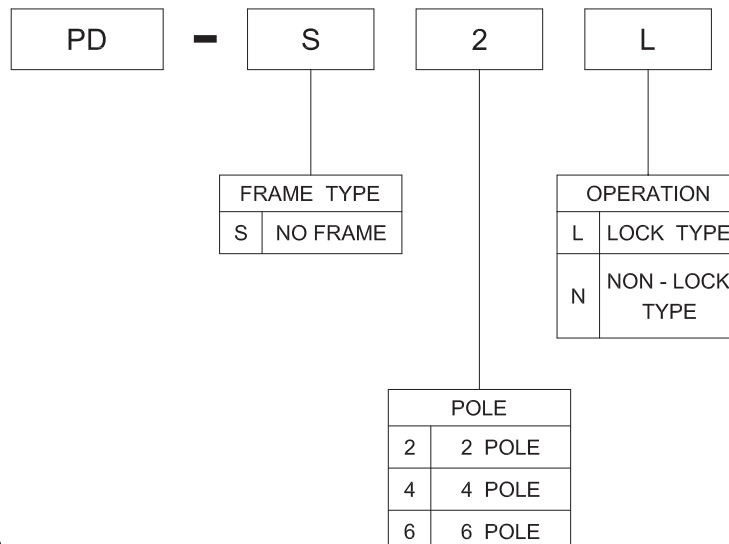
Feature -
multiple keys and poles
interlock and individual lock

Application -
various switching purpose
in all home electronic equipments
and industrial electronic equipments

► SPECIFICATIONS

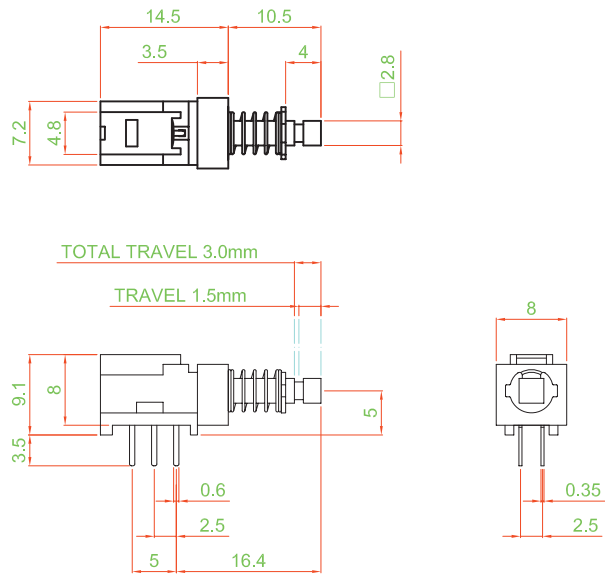
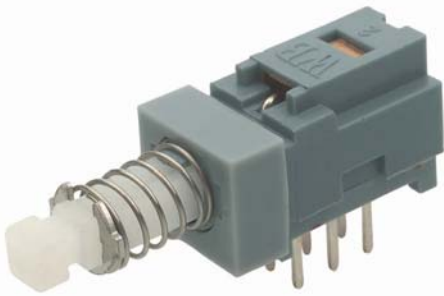
SWITCH SPECIFICATIONS	
POLE - POSITION	2P2T , 4P2T , 6P2T , Momentary and Lock Type are Available
CONTACT RATING	30 V DC , 0.1 A
CONTACT RESISTANCE	40 mΩ MAX. 1.5 V DC ; 100 mA , by Method of Voltage DROP
INSULATION RESISTANCE	100 MΩ MIN. 500 V DC
DIELECTRIC STRENGTH	Breakdown is not Allowable ; 500 V AC for 1 Minute
OPERATING FORCE	250 ± 150gf
OPERATING LIFE	10,000 cycles
OPERATING TEMPERATURE RANGE	-20°C ~ 70°C
TOTAL TRAVEL	TRAVEL : 1.5 ± 0.3 mm TOTAL TRAVEL : 3.0 ± 0.3 mm

► HOW TO ORDER

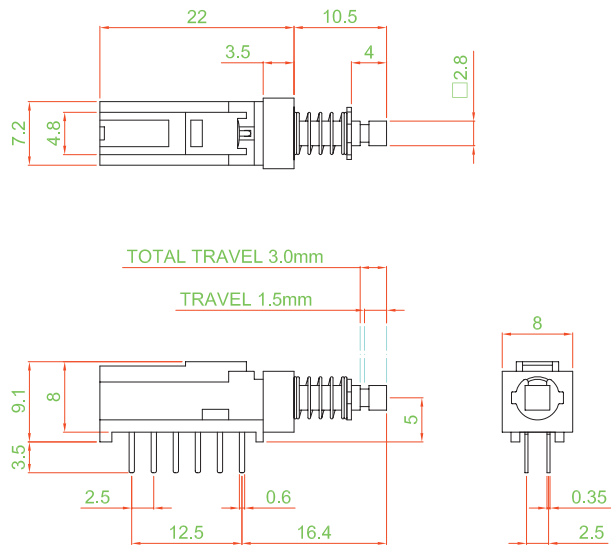


DIMENSION

PD - S2L

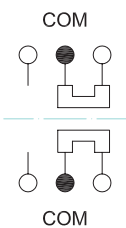


PD - S4L

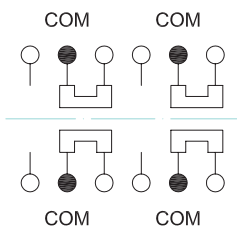


SCHEMATIC

PD - S2L

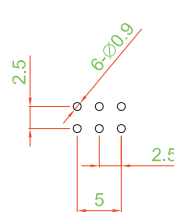


PD - S4L

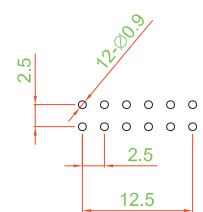


P.C.B LAYOUT

PD - S2L



PD - S4L

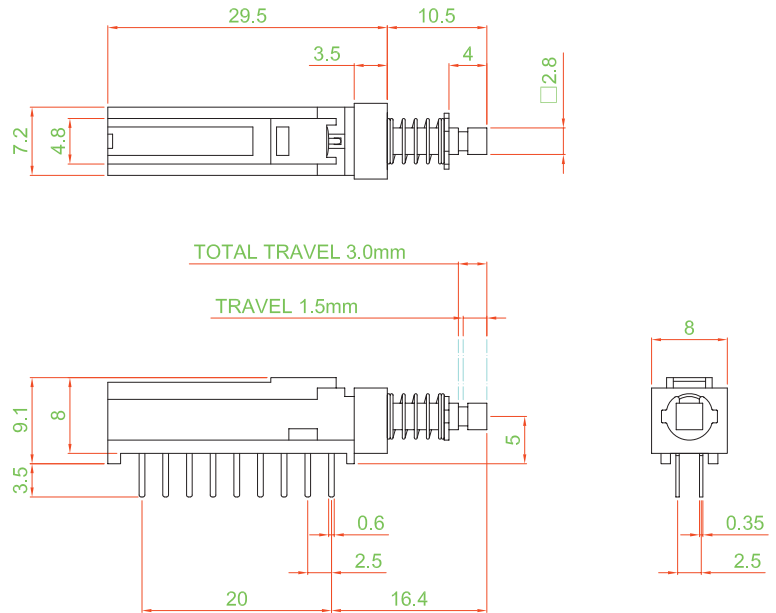
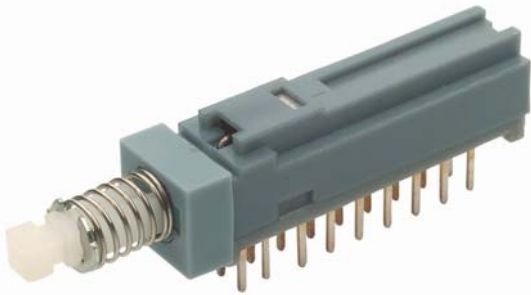


PD SERIES

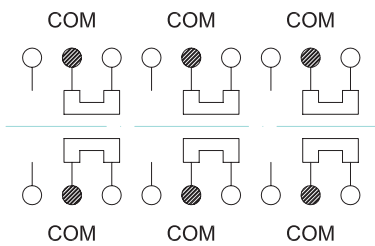
PUSH BUTTON SWITCH

DIMENSION

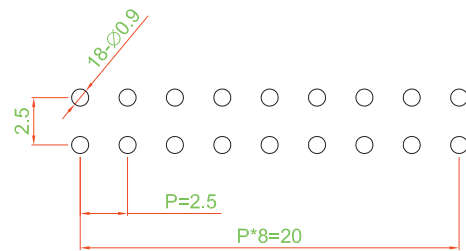
PD - S6L



SCHEMATIC



P.C.B LAYOUT



FRAME TYPE

- COVER : PA + GF
- ACTUATOR : PA + GF
- BASE FRAME : PA + GF
- TERMINAL : SILVER PLATING

UNIT WEIGHT

- PD - S2L : 1.1 ± 0.05 g / pc
- PD - S4L : 1.7 ± 0.05 g / pc
- PD - S6L : 2.3 ± 0.05 g / pc