

# IN001 SERIES

## INTERRUPTER



### Feature -

use together with electricity leak sensor to make the circuit break

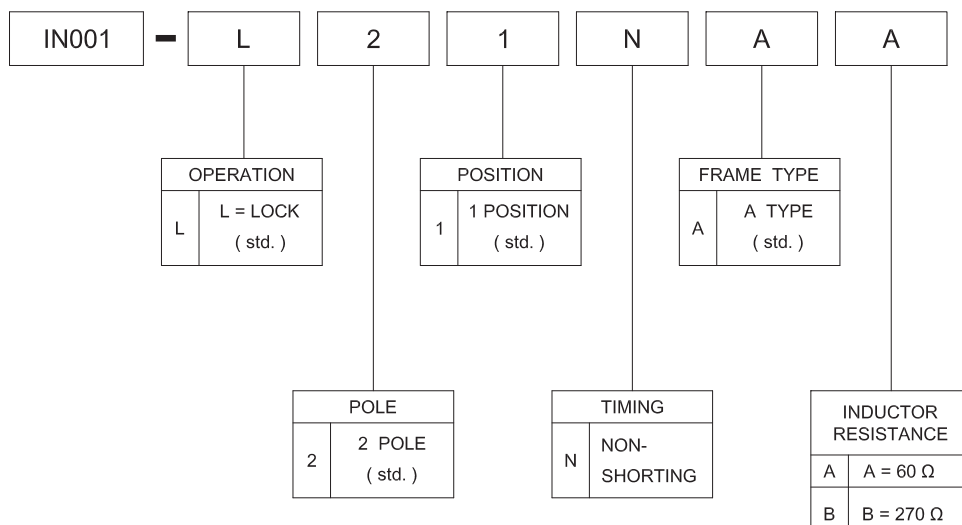
### Application -

outdoor application  
power strip  
outdoor machine

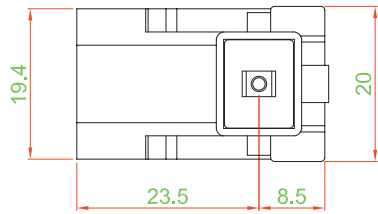
## ► SPECIFICATIONS

SWITCH SPECIFICATIONS	
POLE - POSITION	2P1T , LOCK Type
CONTACT RATING	125 V AC , 15 A
CONTACT RESISTANCE	30 mΩ MAX. 5 V DC ; 1 A by Method of Voltage DROP
INSULATION RESISTANCE	1,000 MΩ MIN. 500 V DC for 1 minute
DIELECTRIC STRENGTH	Breakdown is not Allowable ; 500 V AC for 1 Minute
OPERATING LIFE	6,000 cycles
OPERATING TEMPERATURE RANGE	-20°C ~ 70°C

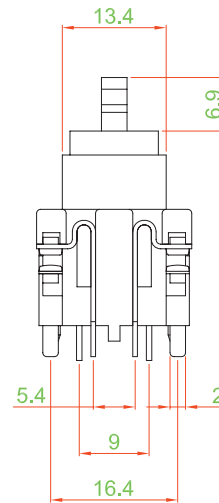
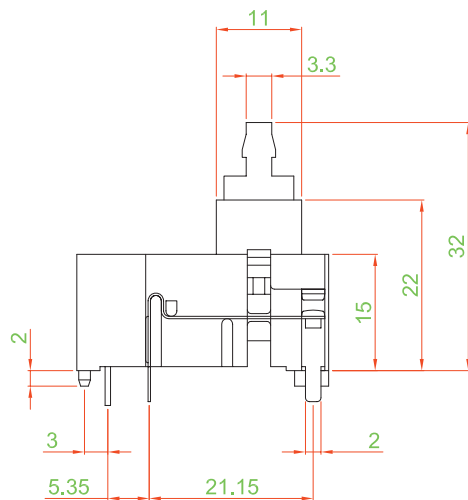
## ► HOW TO ORDER



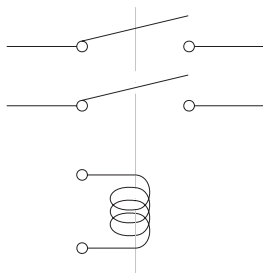
▶ **DIMENSION**



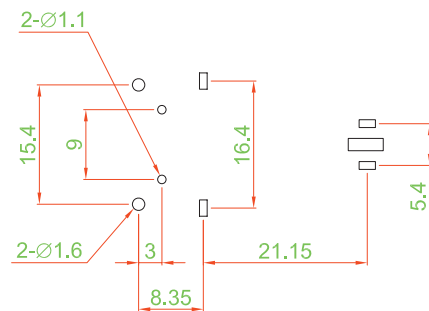
▶ **IN001 - L21NAA**



▶ **CIRCUIT DIAGRAM**



▶ **P.C.B. LAYOUT**



▶ **UNIT WEIGHT**

■ IN001 : 14.9 ± 0.05 g / pc

▶ **MATERIAL**

- FRAME : PA
- ACTUATOR : PA
- TERMINAL : SILVER PLATING