

RE SERIES

ENCODER



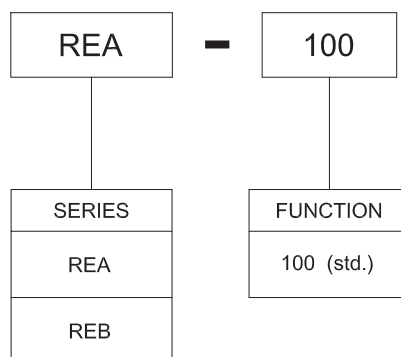
Feature -
small size rotary encoder
good operation feeling

Application -
notebook, digital frame, PDA,
various communication devices

► SPECIFICATIONS

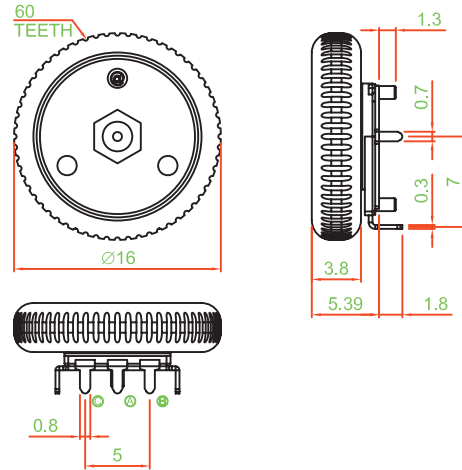
SWITCH SPECIFICATIONS	
CONTACT RATING	5 V DC , 1mA
INSULATION RESISTANCE	10 MΩ MIN. 500 V DC
DIELECTRIC STRENGTH	Breakdown is not Allowable ; 500 V AC for 1 Minute
OPERATING FORCE	3~60 gf.cm
OPERATING LIFE	20,000 cycles
OPERATING TEMPERATURE RANGE	-20°C ~ 70°C

► HOW TO ORDER

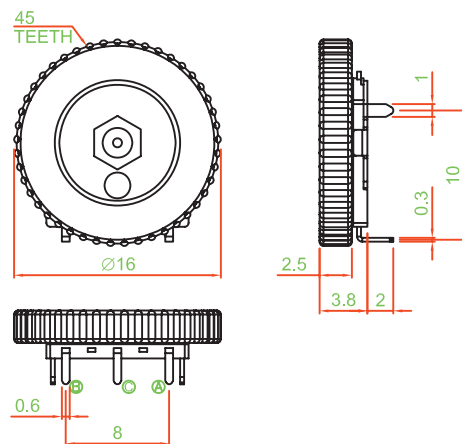


► DIMENSION

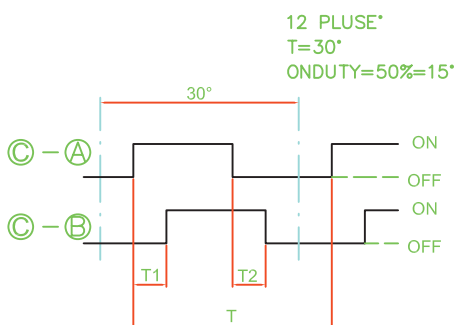
► REA-100



► REB-100

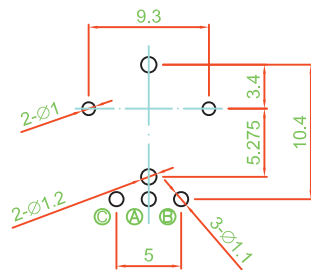


► SCHEMATIC

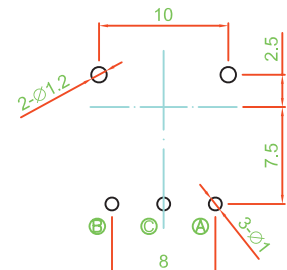


► P.C.B. LAYOUT

REA-100



REB-100



► UNIT WEIGHT

- REA-100 : 1.02 ± 0.05 g / pc
- REB-100 : 0.97 ± 0.05 g / pc

► MATERIAL

- FRAME : PA
- BASE FRAME : PA + GF
- TERMINAL : BRASS SILVER PLATING