



**Feature -**

- compact size
- SMT reflow soldering

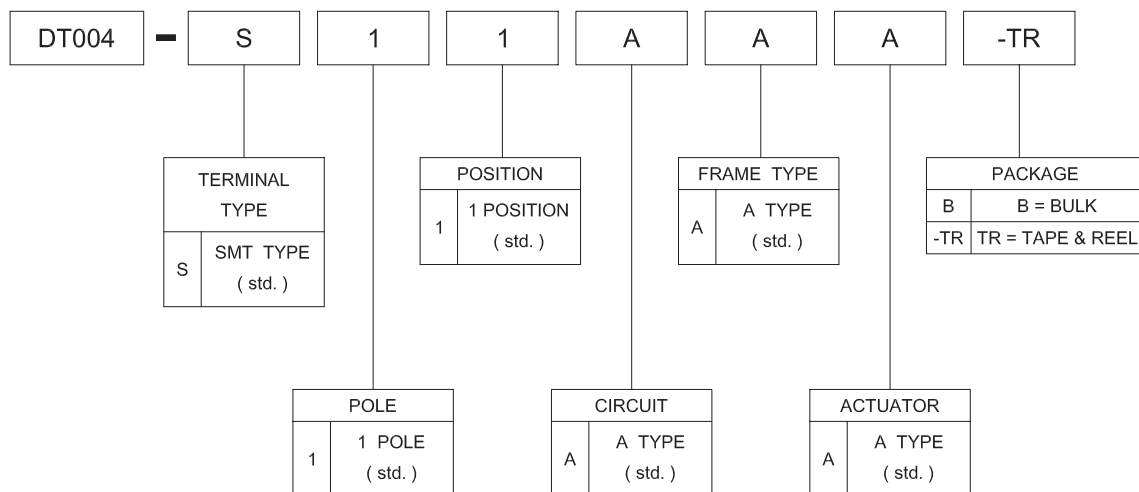
**Application -**

- ideal for various electronic applications

### ► SPECIFICATIONS

SWITCH SPECIFICATIONS	
POLE - POSITION	Momentary action , 1P1T
CONTACT RATING	5 V DC , 10 mA
CONTACT RESISTANCE	1 Ω MAX. 5 V DC ; 1 A , by Method of Voltage DROP
INSULATION RESISTANCE	100 MΩ MIN. 500 V DC
DIELECTRIC STRENGTH	Breakdown is not Allowable ; 500 V AC for 1 Minute
OPERATING FORCE	30 gf MAX.
OPERATING LIFE	100,000 cycles
OPERATING TEMPERATURE RANGE	-20°C ~ 70°C

### ► HOW TO ORDER

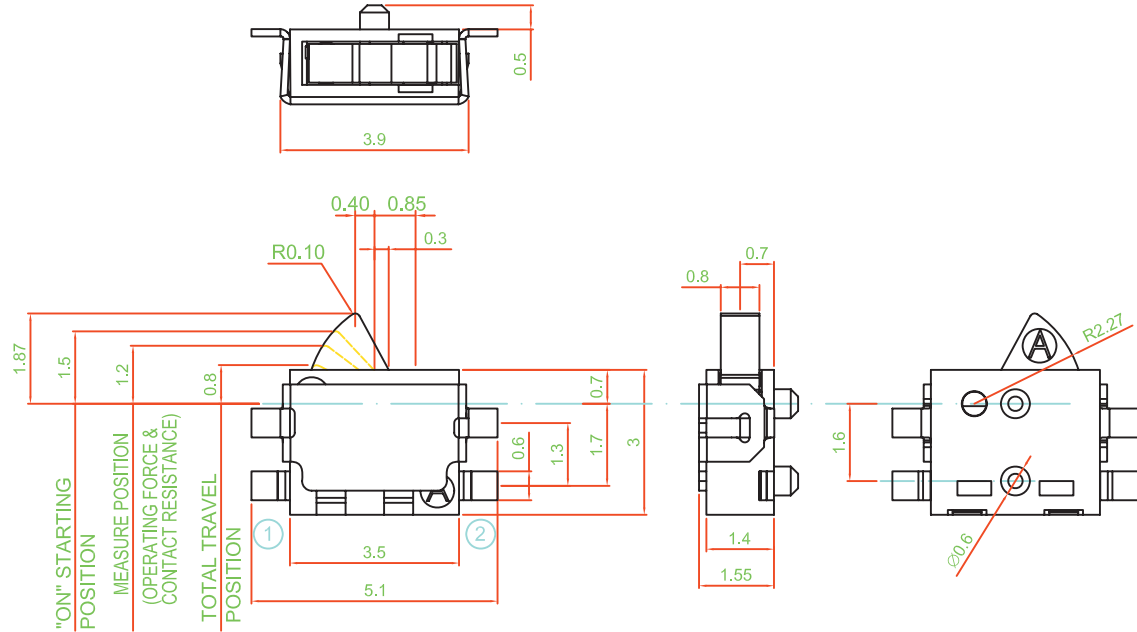


# DT004 SERIES

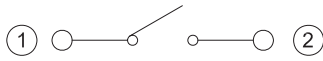
## DETECT SWITCH

### DIMENSION

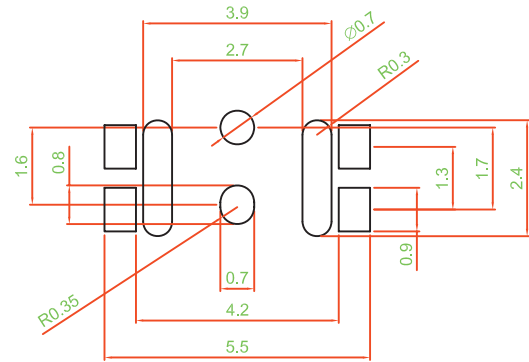
▶ DT004-S11AAA □



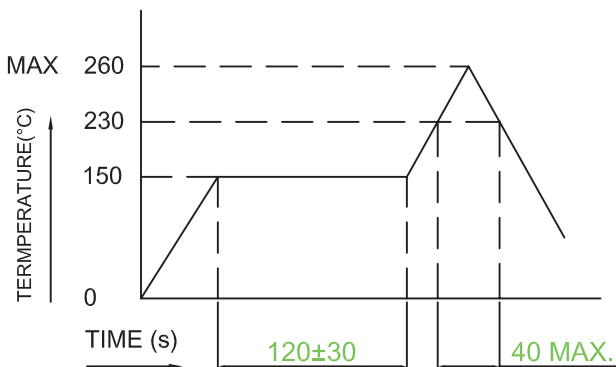
### CIRCUIT DIAGRAM



### P.C.B. LAYOUT



### REFLOW SOLDERING



### MATERIAL

- FRAME : LCP + GF
- ACTUATOR : PA + GF
- TERMINAL : SILVER PLATING , GOLD PLATED
- CONTACT : SILVER PLATING , GOLD PLATED

### UNIT WEIGHT

- DT004 : 0.02 ± 0.01 g / pc

### PACKAGING

- TAPE & REEL : 5000 pcs / reel