

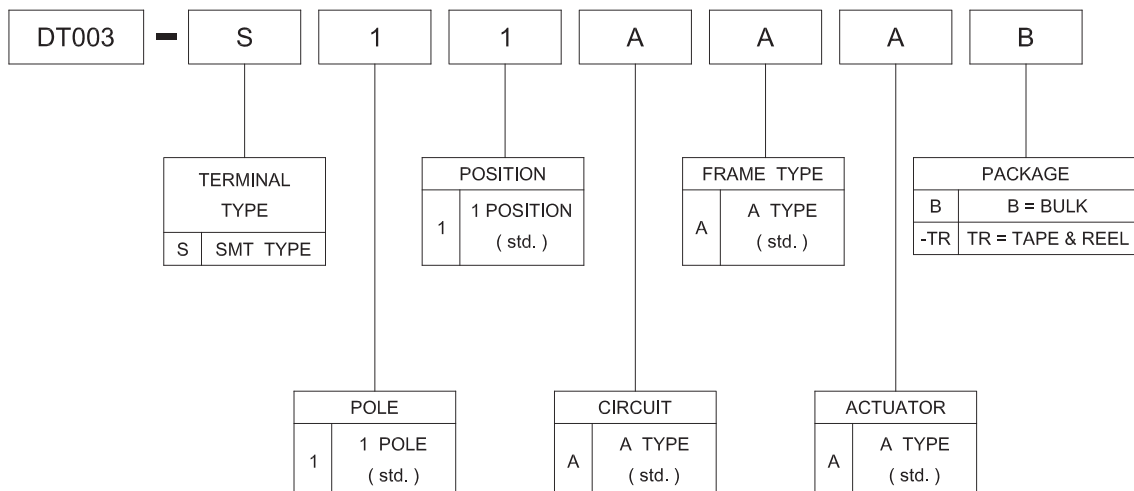
Feature -
 small size
 SMT reflow soldering

Application -
 detection of position
 mode of mechanism

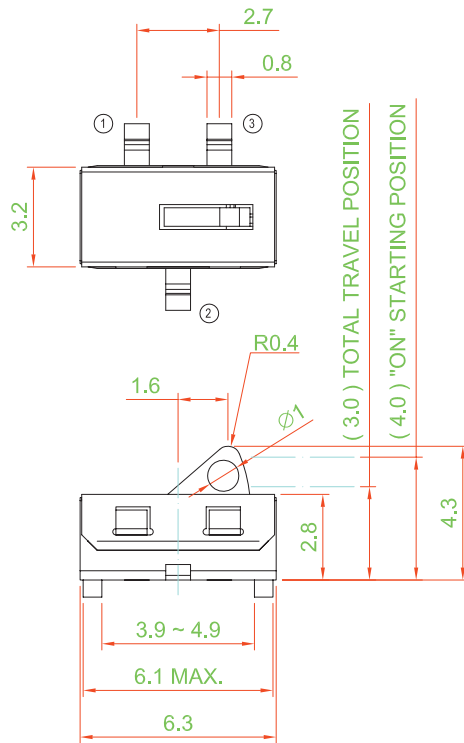
► SPECIFICATIONS

SWITCH SPECIFICATIONS	
POLE - POSITION	Momentary action , 1P1T
CONTACT RATING	5 V DC , 1 mA
CONTACT RESISTANCE	500 mΩ MAX. 5 V DC ; 1 A , by Method of Voltage DROP
INSULATION RESISTANCE	100 MΩ MIN. 500 V DC for 1 minute
DIELECTRIC STRENGTH	Breakdown is not Allowable ; 500 V AC for 1 Minute
OPERATING FORCE	50 gf MAX.
OPERATING LIFE	50,000 cycles
OPERATING TEMPERATURE RANGE	-20°C ~ 70°C

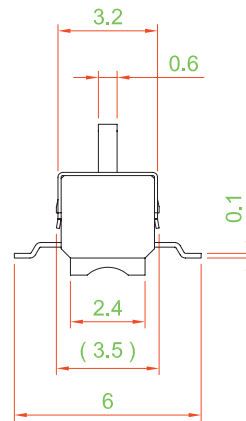
► HOW TO ORDER



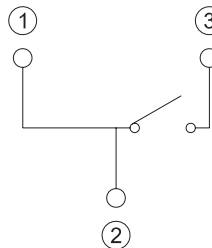
▶ DIMENSION



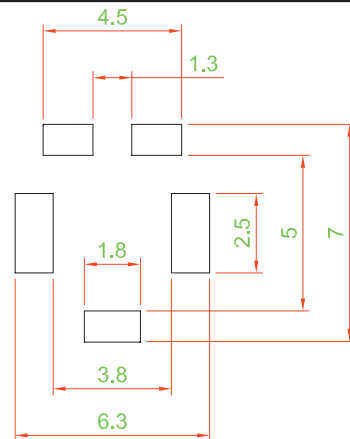
▶ DT003 - S11AAA□



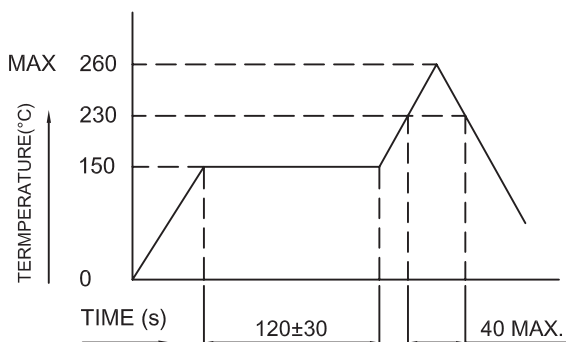
▶ CIRCUIT DIAGRAM



▶ P.C.B. LAYOUT



▶ REFLOW SOLDERING



▶ MATERIAL

- COVER : STAINLESS STEEL
- ACTUATOR : PA + GF
- BASE FRAME : PA + GF
- TERMINAL : SILVER PLATING

▶ PACKAGING

- TAPE & REEL : 1000 pcs / reel

▶ UNIT WEIGHT

- DT003 : 0.09 ± 0.01 g / pc