



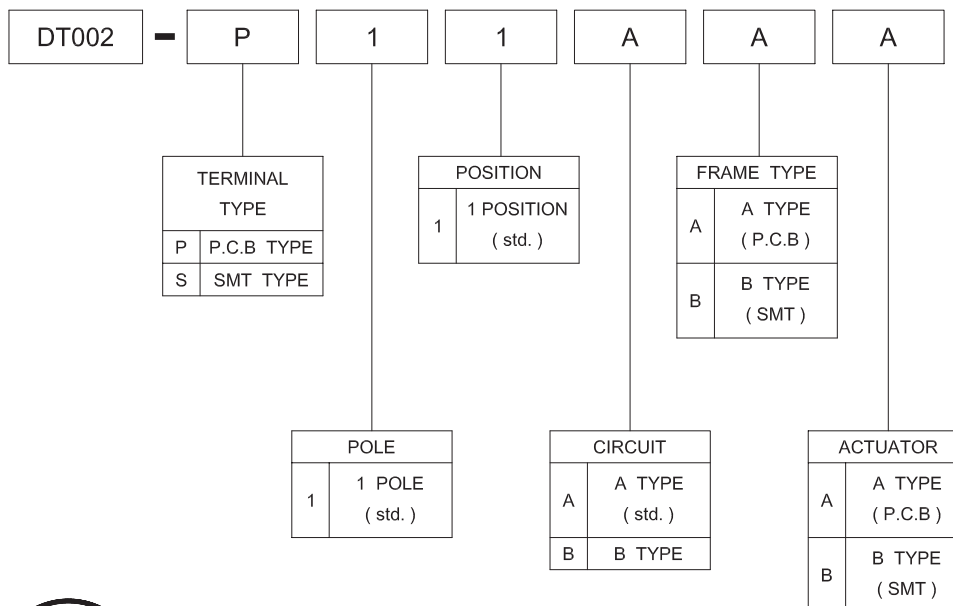
Feature -  
0.5 mm travel  
high reliability

Application -  
detection of position  
mode of mechanism

► SPECIFICATIONS

SWITCH SPECIFICATIONS	
POLE - POSITION	Momentary action , 1P1T
CONTACT RATING	30 V DC , 0.1 A
CONTACT RESISTANCE	1 Ω MAX. 1.5 V DC ; 1 A , by Method of Voltage DROP
INSULATION RESISTANCE	100 MΩ MIN. 100 V DC
DIELECTRIC STRENGTH	Breakdown is not Allowable ; 100 V AC for 1 Minute
OPERATING FORCE	35 gf MAX.
OPERATING LIFE	50,000 cycles
OPERATING TEMPERATURE RANGE	-20°C ~ 70°C

► HOW TO ORDER

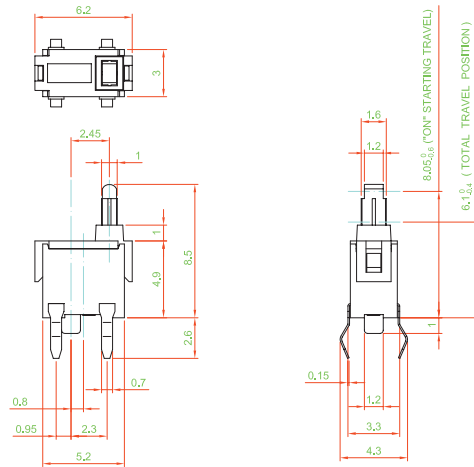


# DT002 SERIES

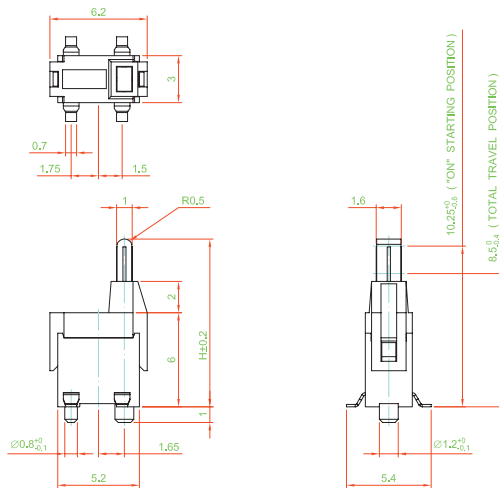
DETECT SWITCH

## DIMENSION

DT002 - P11AAA □

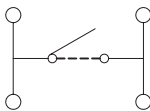


DT002 - S11ABB □

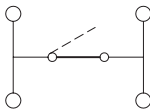


## CIRCUIT

A :

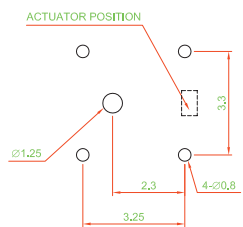


B :

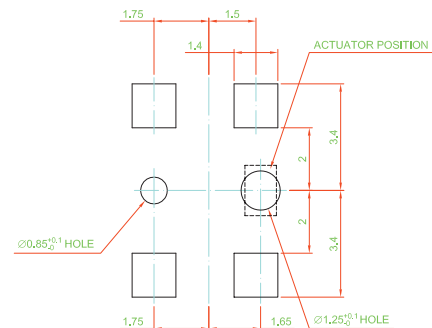


## P.C.B LAYOUT

DT002 - P11AAA



DT002 - S11ABB



## MATERIAL

DT002-P11□□□

- COVER : POM
- ACTUATOR : POM
- BASE FRAME : PA + GF
- TERMINAL : BRASS SILVER PLATING

DT002-S11□□□

- COVER : LCP+GF
- ACTUATOR : LCP+GF
- BASE FRAME : LCP+GF
- TERMINAL : BRASS SILVER PLATING