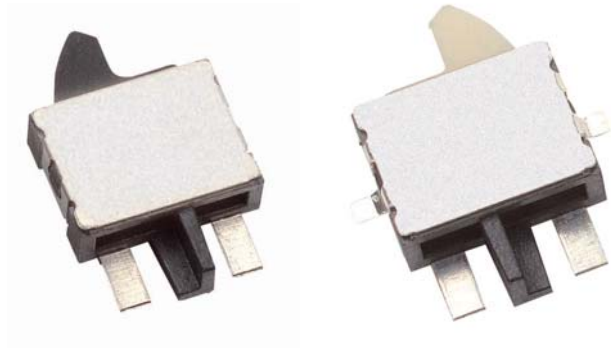


# DT001 SERIES

DETECT SWITCH



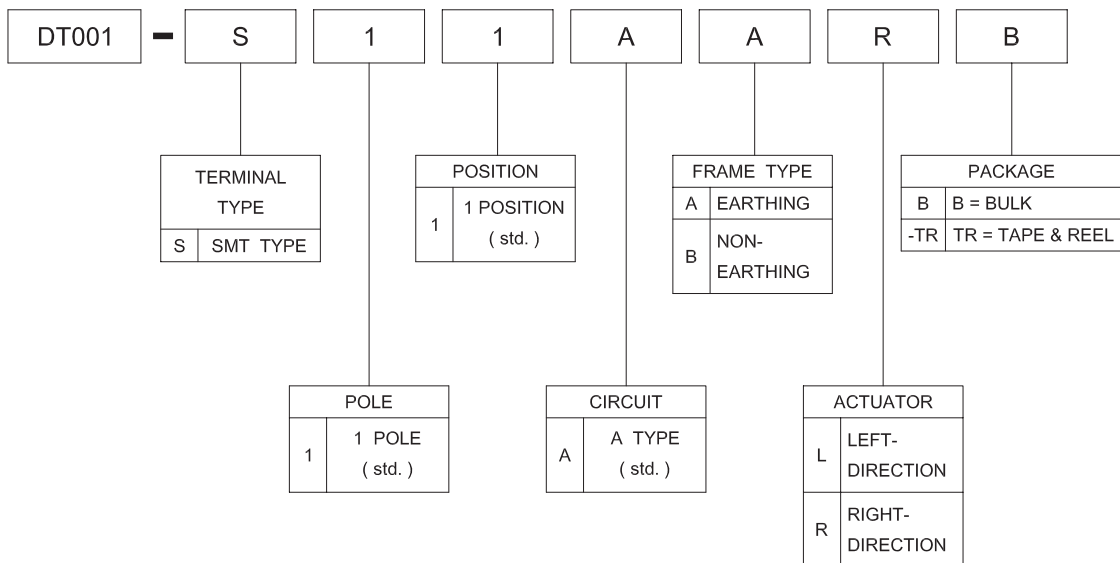
Feature -  
small size  
SMT reflow soldering

Application -  
mechanisms or detection of  
media in portable equipments  
(MD / CD-ROM / DVD players)  
operation switches

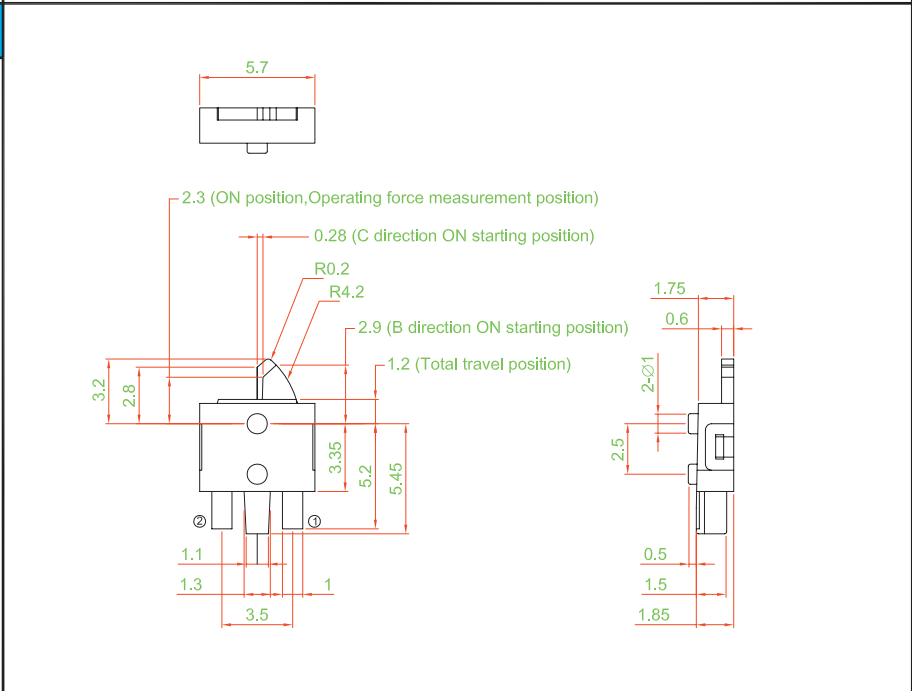
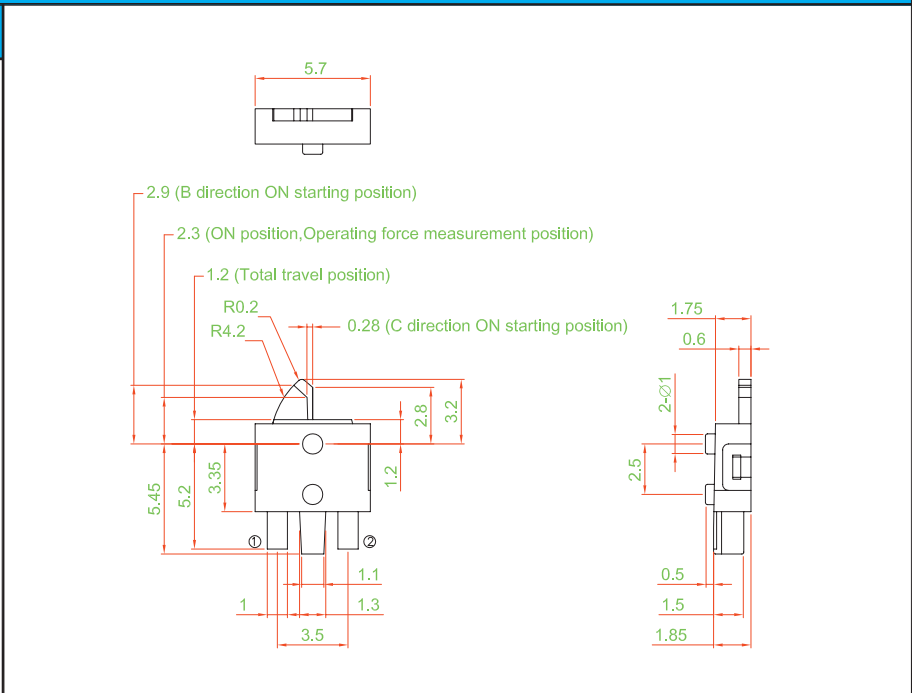
## ► SPECIFICATIONS

| SWITCH SPECIFICATIONS       |   |
|-----------------------------|---|
| POLE - POSITION             | Momentary action , 1P1T                                   |
| CONTACT RATING              | 5 V DC , 10 mA  |
| CONTACT RESISTANCE          | 1 Ω MAX. 1.5 V DC ; 100 mA ,<br>by Method of Voltage DROP |
| INSULATION RESISTANCE       | 100 MΩ MIN. 100 V DC                                      |
| DIELECTRIC STRENGTH         | Breakdown is not Allowable ;<br>100 V AC for 1 Minute     |
| OPERATING FORCE             | 30 gf MAX.  |
| OPERATING LIFE              | 50,000 cycles   |
| OPERATING TEMPERATURE RANGE | -20°C ~ 70°C  |

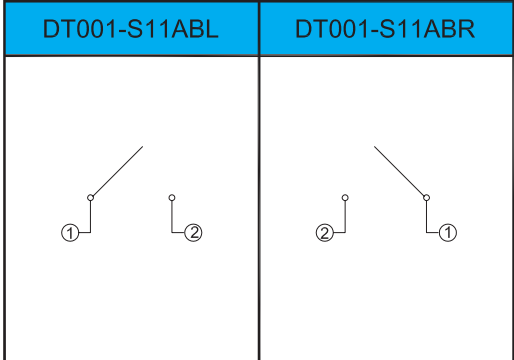
## ► HOW TO ORDER



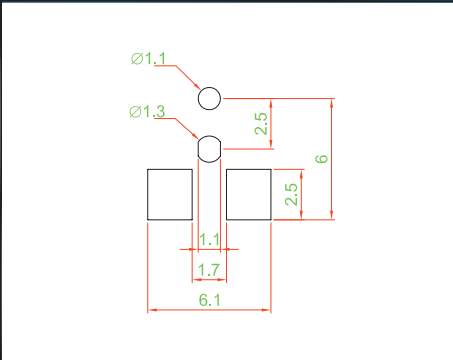
**► DIMENSION**



**► CIRCUIT DIAGRAM**



**► REFLOW PATTERN**

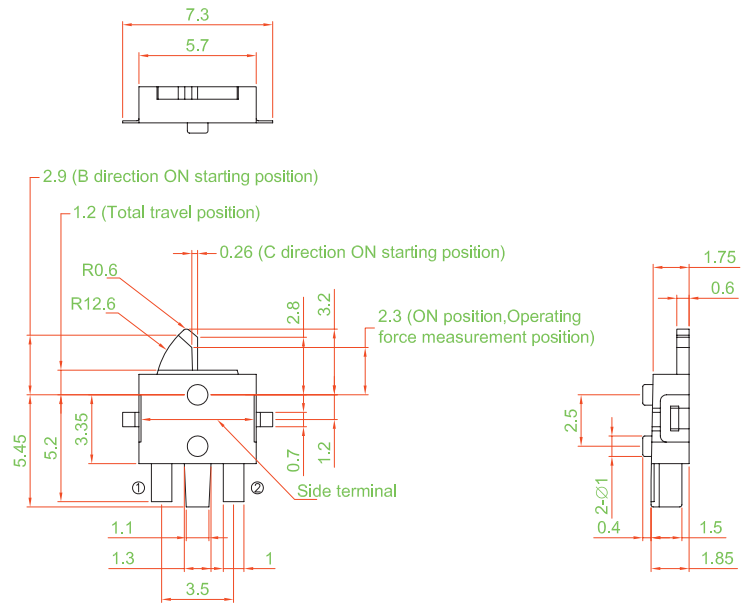


**► MATERIAL**

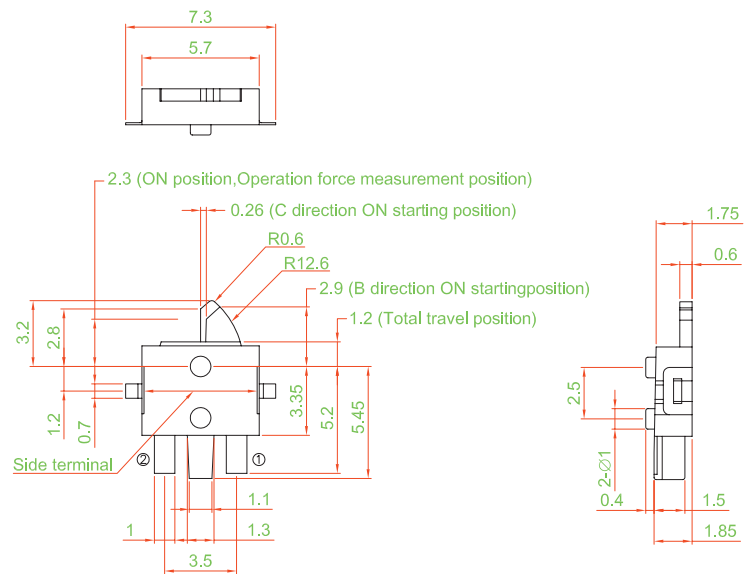
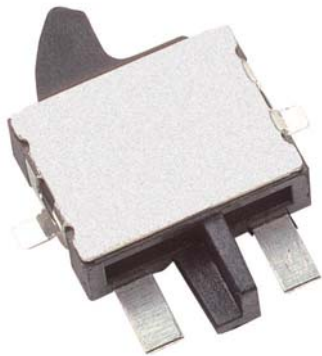
- COVER : PA
- ACTUATOR : PA
- BASE FRAME : PA
- TERMINAL : SILVER PLATING

## DIMENSION

DT001-S11AAL□

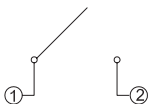


DT001-S11AAR□

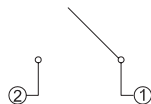


## CIRCUIT DIAGRAM

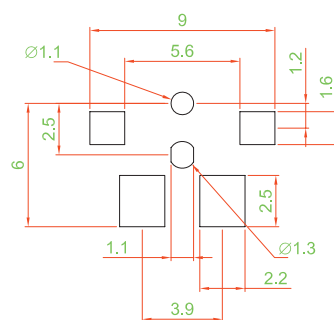
DT001-S11AAL



DT001-S11AAR



## REFLOW PATTERN



## UNIT WEIGHT

- DT001-S11ABL :  
0.09 ± 0.05 g / pc
- DT001-S11AAL :  
0.1 ± 0.05 g / pc

## PACKING

- TAPE & REEL : 1000 pcs / reel