



- High contact load.
- Easy Wiring connection.
- Long life.

## SPECIFICATIONS

Types	01, 02, 03, 04, 07
Contact Material	Silver alloy
Contact Resistive	Max.100mΩ
Rated Load	75A
Max. Switching Voltage	660VAC
Max. Switching Power	49500VA

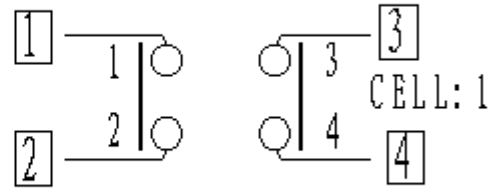
Angle	45°
Melt Current	10000A
Operating humidity	40 to 95% RH
Initial breakdown voltage	
Between open contact	2500VAC (50/60Hz) for 1 min.
Insulation Resistance	Min.500MΩ (500 VDC)
Ambient temperature	-40°C ~ +55°C

## ORDERING INFORMATION

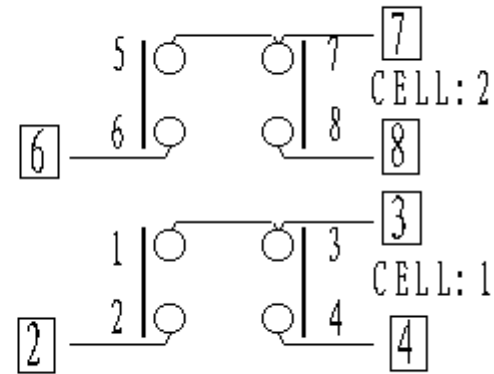
**LW8 - 75 A - 01**  
**1. 2. 3. 4.**

1. Series	2. Rated Current	3. Unit of Current	4. Type
LW8	75	A	01, 02, 02A, 03, 03A, 05, 07

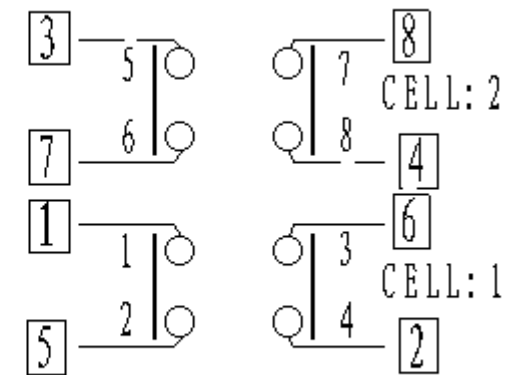
LW8-75A-01		POSITIONS		
CELLS	CONTACTS	0	1	
1	3 4	0	X	
	1 2	0	X	
X=CLOSED 0=OPEN				



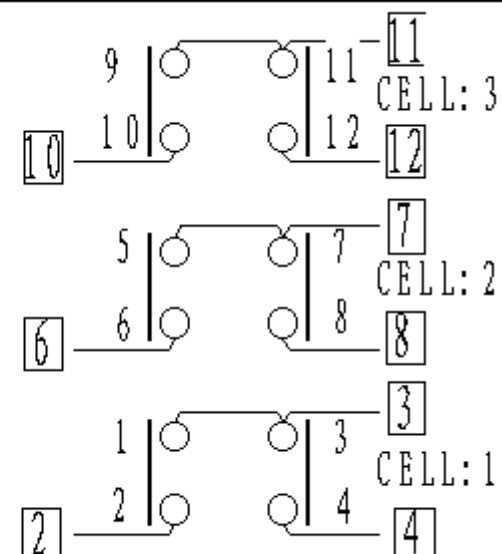
LW8-75A-02		POSITIONS		
CELLS	CONTACTS	1	0	2
2	7 8	0	0	X
	5 6	X	0	0
1	3 4	0	0	X
	1 2	X	0	0
X=CLOSED 0=OPEN				



LW8-75A-02A		POSITIONS		
CELLS	CONTACTS	0	1	
2	7 8	0	X	
	5 6	0	X	
1	3 4	0	X	
	1 2	0	X	
X=CLOSED 0=OPEN				



LW8-75A-03		POSITIONS		
CELLS	CONTACTS	1	0	2
3	11 12	0	0	X
	9 10	X	0	0
2	7 8	0	0	X
	5 6	X	0	0
1	3 4	0	0	X
	1 2	X	0	0
X=CLOSED 0=OPEN				



**LW8-75**

01, DPST, 1 Layer, Position on face-plate 0-1

02, DPDT, 2 Layer, Position on face-plate 1-0-2

02A, 4 Poles, 2 layers, Position on face-plate 0-1

03, 3 Poles, 3 Layers, Position on face-plate 1-0-2

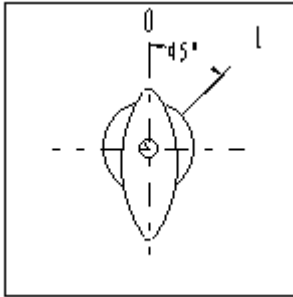
03A, 3 Poles? Layers, Position on face-plate 0-1

05, 1 Pole, 2 layers, Position on face-plate 0-1-2-3-4

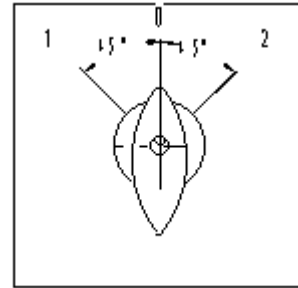
07, 1 Pole, 4 layers, Position on face-plate 0-1-2-3-4-5-6-7

**DIAGRAM**

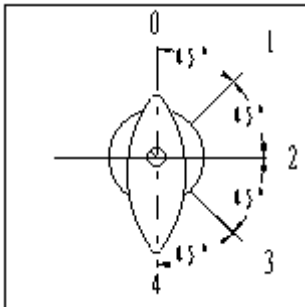
0-1



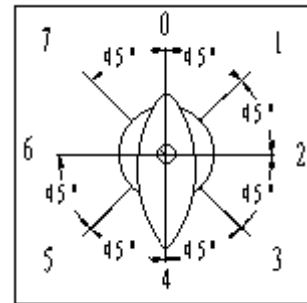
1-0-2



0-1-2-3-4-



0-1-2-3-4-5-6-7



LW8-75A-03A		POSITIONS		
CELLS	CONTACTS	0	1	
2	5 6	0	X	
	3 4	0	X	
1	1 2	0	X	

X=CLOSED		0=OPEN	
----------	--	--------	--

LW8-75A-05		POSITIONS				
CELLS	CONTACTS	0	1	2	3	4
2	7 8	0	0	0	0	X
	5 6	0	0	0	X	0
1	3 4	0	0	X	0	0
	1 2	0	X	0	0	0

X=CLOSED		0=OPEN	
----------	--	--------	--

LW8-75A-07		POSITIONS							
CELLS	CONTACTS	0	1	2	3	4	5	6	7
4	15 16	0	0	0	0	X	0	0	0
	13 14	0	0	0	0	0	0	0	0
3	11 12	0	0	0	0	0	0	0	X
	9 10	0	0	0	X	0	0	0	0
2	7 8	0	0	0	0	0	0	X	0
	5 6	0	0	X	0	0	0	0	0
1	3 4	0	0	0	0	0	X	0	0
	1 2	0	X	0	0	0	0	0	0

X=CLOSED		0=OPEN	
----------	--	--------	--