



# WANJIA

Switches for advanced technology

## Cam Switch Changeover Switch

## LW8-32 -RELAYS



- High contact load.
- Easy Wiring connection.
- Long life.

### SPECIFICATIONS

Types	01, 02, 02A, 03, 03A, 07	Angle	45°
Contact Material	Silver alloy	Melt Current	10000A
Contact Resistive	Max.100mΩ	Operating humidity	40 to 95% RH
Rated Load	32A	Initial breakdown voltage	
Max. Switching Voltage	660VAC	Between open contact	2500VAC (50/60Hz) for 1 min.
Max. Switching Power	21120VA	Insulation Resistance	Min.500MΩ (500 VDC)
		Ambient temperature	-40°C ~ +55°C

### ORDERING INFORMATION

**LW8 - 32 A - 01**  
**1.            2.    3.            4.**

1. Series	2. Rated Current	3. Unit of Current	4. Type
LW8	32	A	01, 02, 02A, 03, 03A, 05, 07

LW8-32

01, DPST, 1 Layer, Position on face-plate 0-1

02, DPDT, 2 Layer, Position on face-plate 1-0-2

02A, 4 Poles, 2 layers, Position on face-plate 0-1

03, 3 Poles, 3 Layers, Position on face-plate 1-0-2

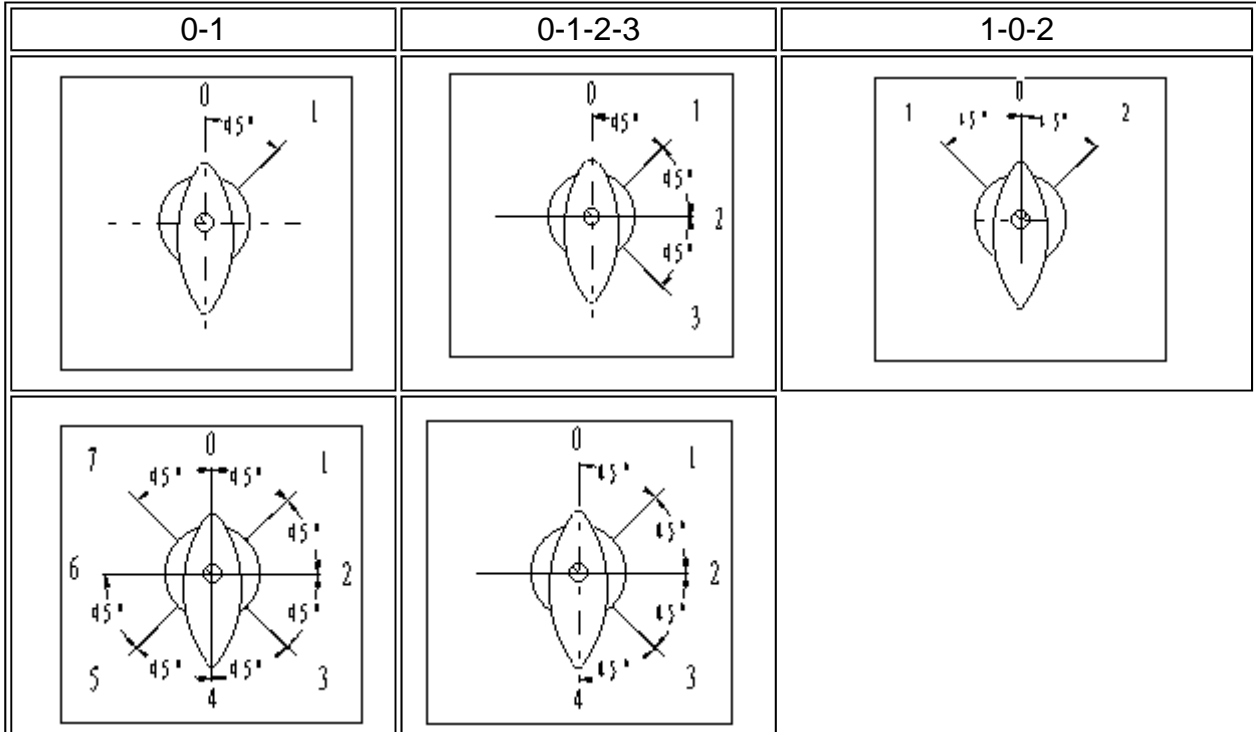
03A, 3 Poles, 3 Layers, Position on face-plate 1-0-2

04, 3 Poles, 6 Layers, Position on face-plate 0-1-2-3

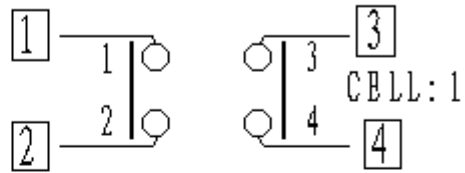
05, 1 Pole, 2 layers, Position on face-plate 0-1-2-3-4

07, 1 Pole, 4 layers, Position on face-plate 0-1-2-3-4-5-6-7

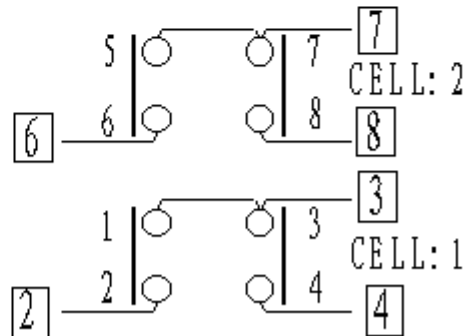
## DIAGRAM



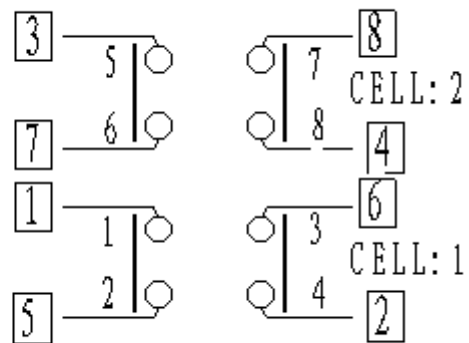
LW8-25A-01		POSITIONS		
CELLS	CONTACTS	0	1	
1	3 4	0	X	
	1 2	0	X	
X=CLOSED 0=OPEN				



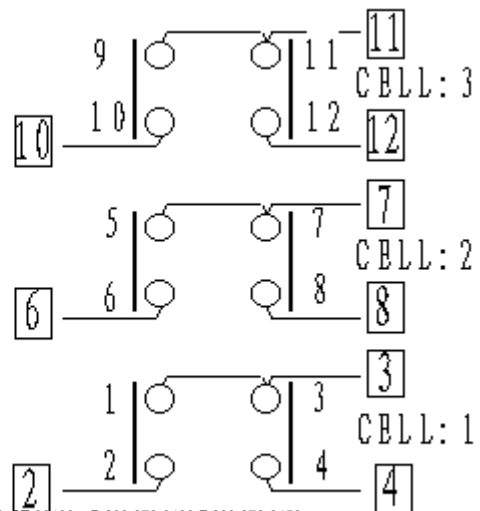
LW8-25A-02		POSITIONS		
CELLS	CONTACTS	1	0	2
2	7 8	0	0	X
	5 6	X	0	0
1	3 4	0	0	X
	1 2	X	0	0
X=CLOSED 0=OPEN				



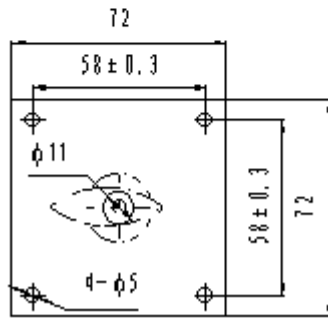
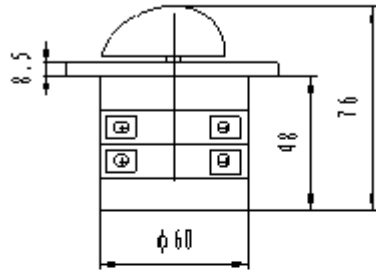
LW8-25A-02A		POSITIONS		
CELLS	CONTACTS	0	1	
2	7 8	0	X	
	5 6	0	X	
1	3 4	0	X	
	1 2	0	X	
X=CLOSED 0=OPEN				



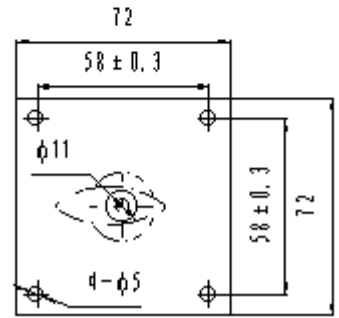
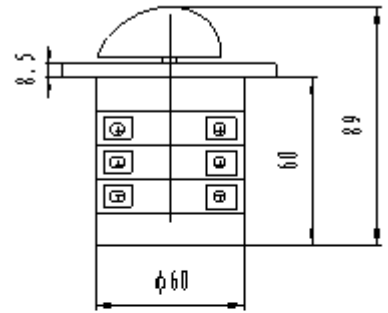
LW8-25A-03		POSITIONS		
CELLS	CONTACTS	1	0	2
3	11 12	0	0	X
	9 10	X	0	0
2	7 8	0	0	X
	5 6	X	0	0
1	3 4	0	0	X
	1 2	X	0	0
X=CLOSED 0=OPEN				



LW8-25A-02, LW8-25A-02A  
LW8-25A-03A, LW8-25A-05



LW8-25A-03



LW8-25A-07

