



- High contact load.
- Easy Wiring connection.
- Long life.

SPECIFICATIONS

Types	01, 02, 02A, 03, 03A, 07
Contact Material	Silver alloy
Contact Resistive	Max.100mΩ
Rated Load	20A
Max. Switching Voltage	660VAC
Max. Switching Power	13200VA

Angle	45°
Melt Current	10000A
Operating humidity	40 to 95% RH
Initial breakdown voltage	
Between open contact	2500VAC (50/60Hz) for 1 min.
Insulation Resistance	Min.500MΩ (500 VDC)
Ambient temperature	-40°C ~ +55°C

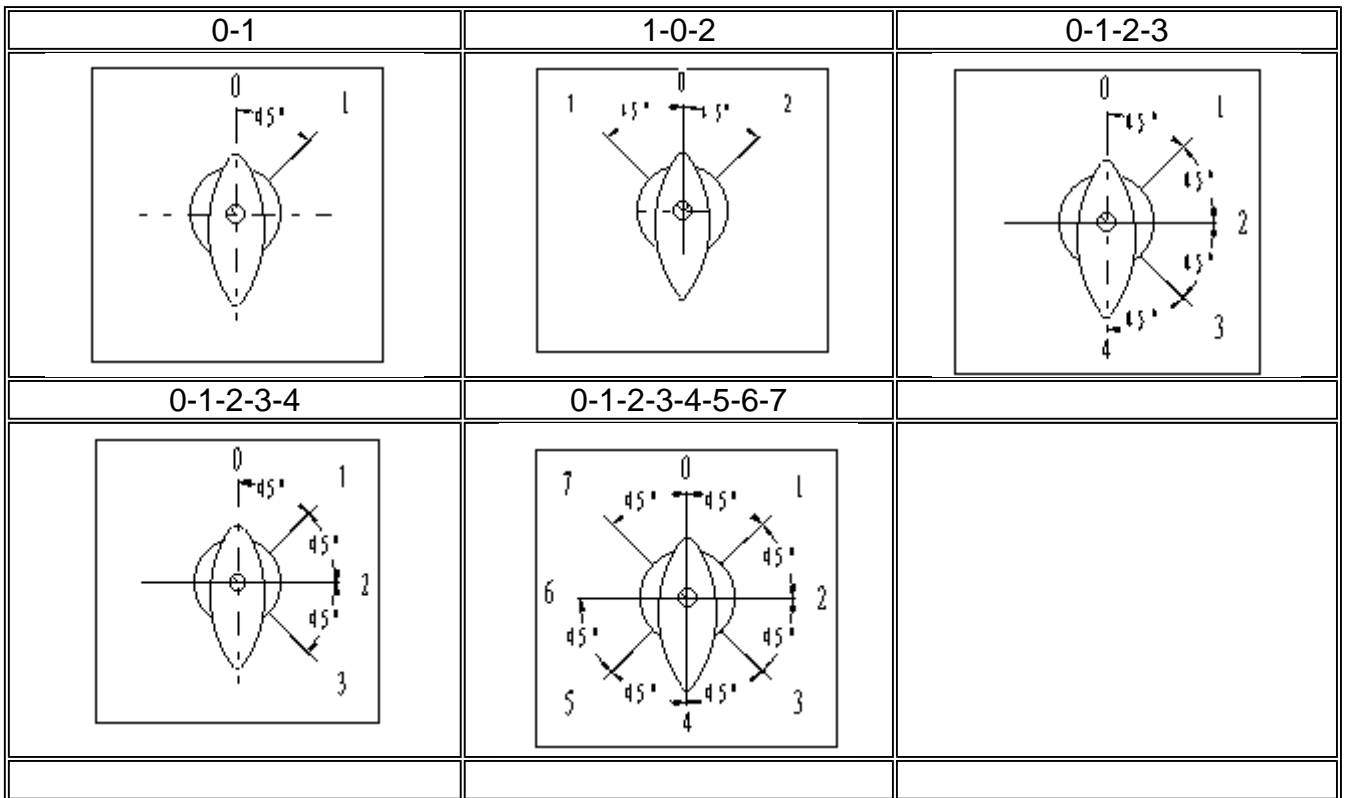
ORDERING INFORMATION

LW8- 20 A - 01
1 2 3 4

1. Series	2. Rated Current	3. Unit of Current	4. Type
LW8	20	A	01, 02, 02A, 03, 03A, 05, 07

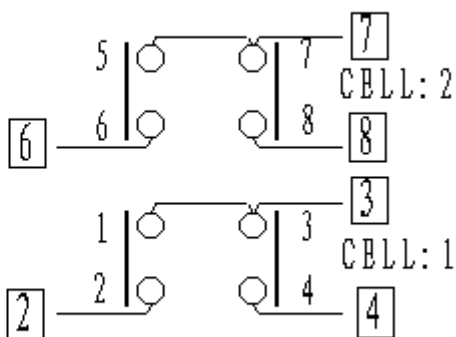
LW8-20A
01, DPST 1 Layer, Position on face-plate 0-1
02, DPDT 2 Layer, Position on face-plate 1-0-2
02A, 4 Poles 2 layers, Position on face-plate 0-1
03, 3 Poles 3 Layers, Position on face-plate 1-0-2
03A, 3 Poles 3 Layers, Position on face-plate 1-0-2
04, 3 Poles 6 Layers, Position on face-plate 0-1-2-3
05, 1 Pole 2 layers, Position on face-plate 0-1-2-3-4
07, 1 Pole 4 layers, Position on face-plate 0-1-2-3-4-5-6-7

DIAGRAM

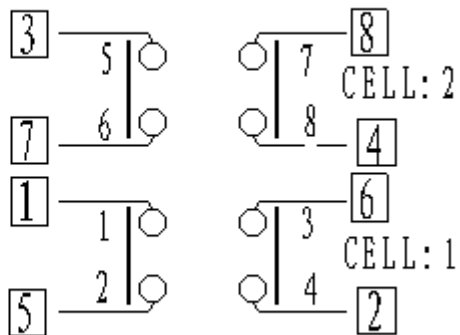


LW8-20A-01		POSITIONS				
CBLLS	CONTACTS	0	1			
1	3 4	0	X			
	1 2	0	X			
X=CLOSED 0=OPEN						

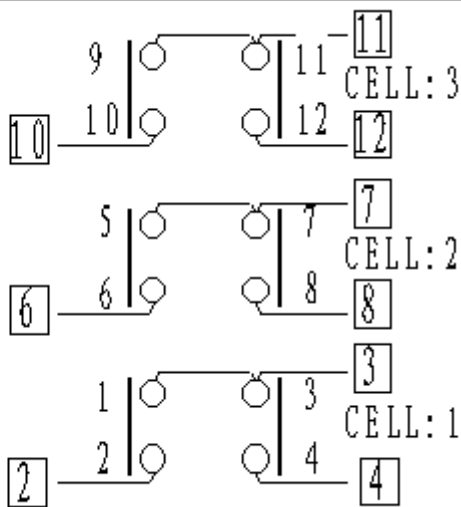
LW8-20A-02		POSITIONS		
CELLS	CONTACTS	1	0	2
2	7 8	0	0	X
	5 6	X	0	0
1	3 4	0	0	X
	1 2	X	0	0
X=CLOSED 0=OPEN				



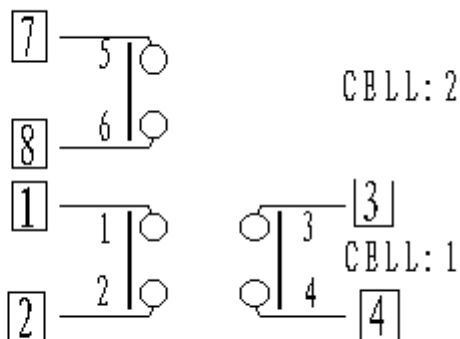
LW8-20A-02A		POSITIONS		
CELLS	CONTACTS	0	1	
2	7 8	0	X	
	5 6	0	X	
1	3 4	0	X	
	1 2	0	X	
X=CLOSED 0=OPEN				



LW8-20A-03		POSITIONS		
CELLS	CONTACTS	1	0	2
3	11 12	0	0	X
	9 10	X	0	0
2	7 8	0	0	X
	5 6	X	0	0
1	3 4	0	0	X
	1 2	X	0	0
X=CLOSED 0=OPEN				

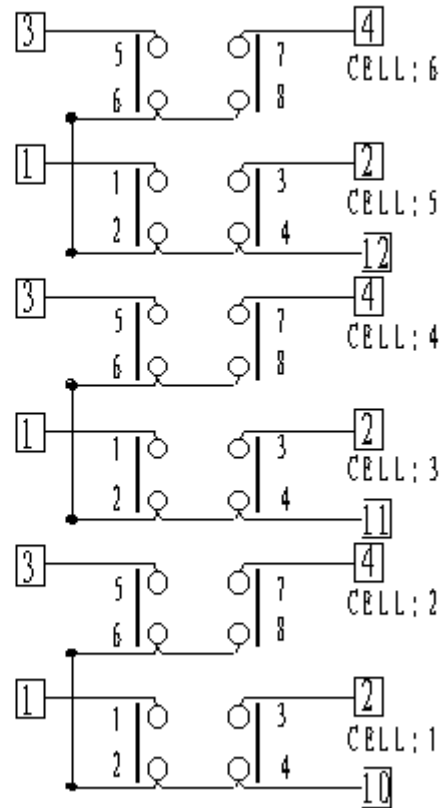


LW8-20A-03A		POSITIONS		
CELLS	CONTACTS	0	1	
2				
	5 6	0	X	
1	3 4	0	X	
	1 2	0	X	
X=CLOSED 0=OPEN				



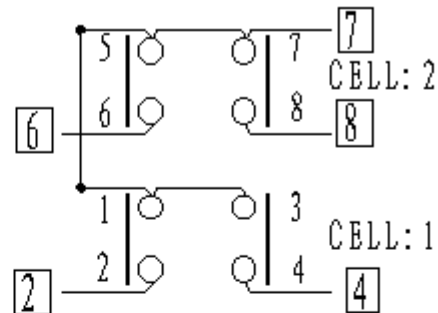
LW8-20A-04		POSITIONS				
CELLS	CONTACTS	0	1	2	3	
6	23 24	0	0	0	X	
	21 22	0	0	X	0	
5	19 20	0	X	0	0	
	17 18	X	0	0	0	
4	15 16	0	0	0	X	
	13 14	0	0	X	0	
3	11 12	0	X	0	0	
	9 10	X	0	0	0	
2	7 8	0	0	0	X	
	5 6	0	0	X	0	
1	3 4	0	X	0	0	
	1 2	X	0	0	0	

X=CLOSED 0=OPEN



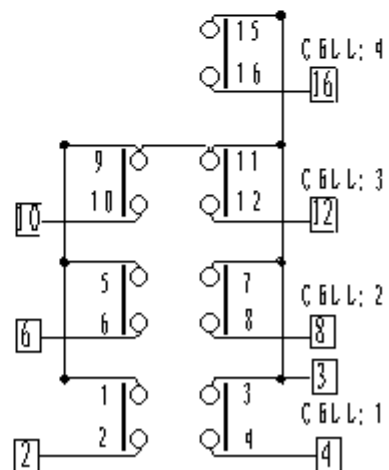
LW8-20A-05		POSITIONS				
CELLS	CONTACTS	0	1	2	3	4
2	7 8	0	0	0	0	X
	5 6	0	0	0	X	0
1	3 4	0	0	X	0	0
	1 2	0	X	0	0	0

X=CLOSED 0=OPEN

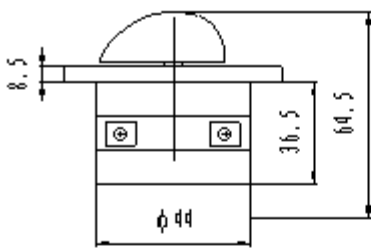


LW8-20A-07		POSITIONS							
CELLS	CONTACTS	0	1	2	3	4	5	6	7
4	15 16	0	0	0	0	X	0	0	0
	13 14	0	0	0	0	0	0	0	0
3	11 12	0	0	0	0	0	0	0	X
	9 10	0	0	0	X	0	0	0	0
2	7 8	0	0	0	0	0	0	X	0
	5 6	0	0	X	0	0	0	0	0
1	3 4	0	0	0	0	0	X	0	0
	1 2	0	X	0	0	0	0	0	0

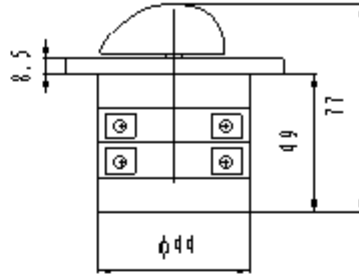
X=CLOSED 0=OPEN



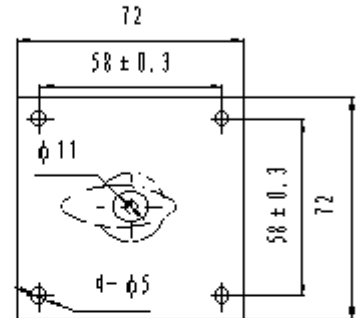
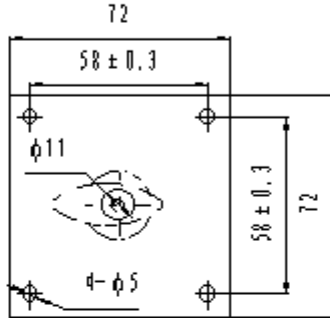
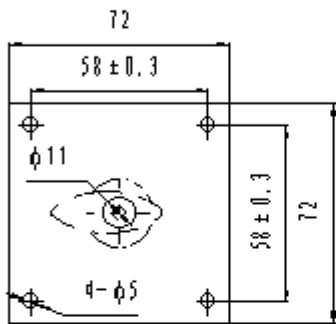
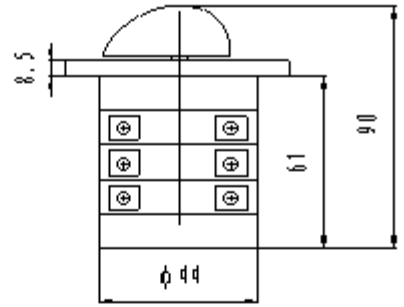
LW8-20A-01



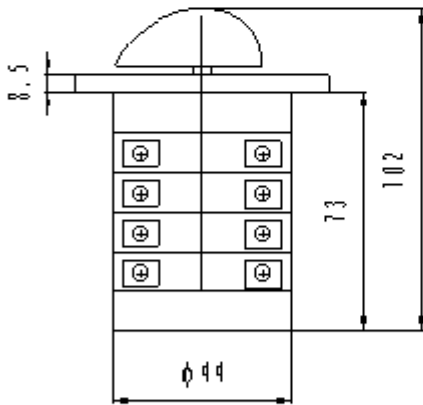
LW8-20A-02, LW8-20A-02A
LW8-20A-03A, LW8-20A-05



LW8-20A-03



LW8-20A-07



LW8-20A-04

