



Relays for advanced technology

ULTRA-MINIATURE
PC BOARD TYPE
TELECOM RELAY

WJ104 - SERIES



- Ultra sensitivity-150mW nominal operating power.
- Compact size suitable for high mounting density on PCB.
- Dip-2C type matching 16 pin IC socket.
- Sealed construction.
- Reliable bifurcated crossbar contacts.
- Conform to FCC part 68.

SPECIFICATIONS

Contact

Arrangement	2A 2 C
Contact Material	Silver alloy
Contact Resistance (By voltage drop 6V 1A)	Max.50mΩ
Rating	
Nominal switching capacity	1A 30VDC 1A 120VAC
Resistive load	0.3A 120VDC
Max. Switching Voltage	125VAC 120VDC
Max. Switching Current	1A
Max. Switching power	40VA 36W
Expected life (min.ope)	
Mechanical (at 180 cpm)	1×10 ⁷
Electrical (at 30 cpm)	1×10 ⁵

Characteristics

Operate Time	Max.10msec.	
Release Time	Max.4msec.	
Initial breakdown voltage Between coil & contact Between open contacts Between contact sets	1000VAC(50/60Hz)for 1 min. 500 VAC(50/60Hz)for 1 min. 1000VAC(50/60Hz)for 1 min.	
Insulation Resistance	Min. 100MΩ (500 VDC)	
Ambient temperature	-35°C ~ +70°C	
Operating humidity	45 to 85% RH	
Shock	Functional	Min. 10G
	Destruction	Min. 100G
Vibration	Functional	10 to 55 Hz at double Amplitude of 1.5mm
	Destruction	10 to 55 Hz at double Amplitude of 1.5mm
Resistance	Destruction	10 to 55 Hz at double Amplitude of 1.5mm
Unit weight	Approx.4g	

COIL DATE

Coil Consumption	sensitive: 0.36W Hi-Sensitivity: 0.2W
Coil Voltage	3 - 48VDC
Coil Resistance	see COIL SPECIFICATION below

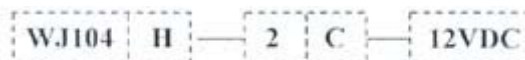
UL/C-UL Rating

Resistive load (cosφ=1)	1A 30VDC 1A 120VAC 0.3A 120VDC
----------------------------	--------------------------------------

COIL SPECIFICATION (at 20°C)

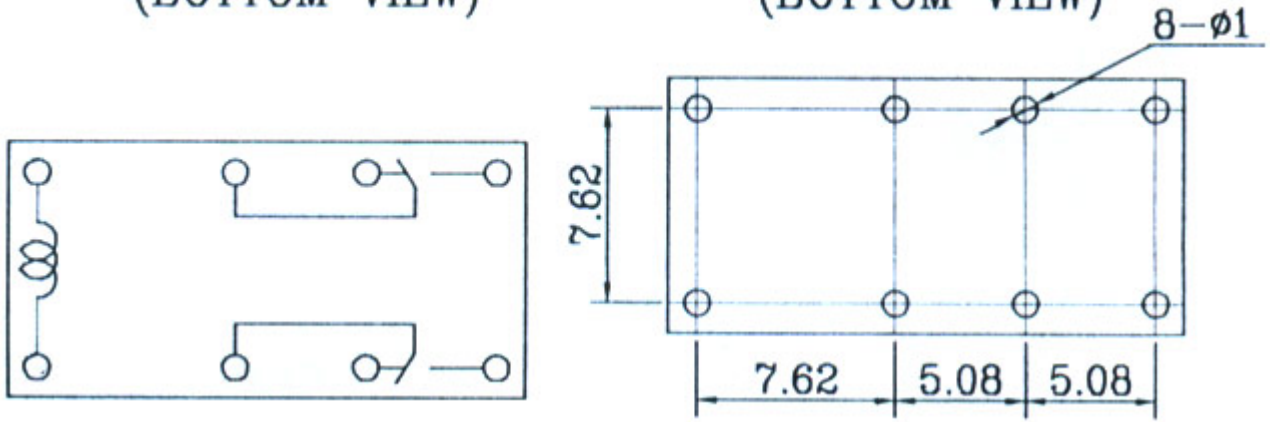
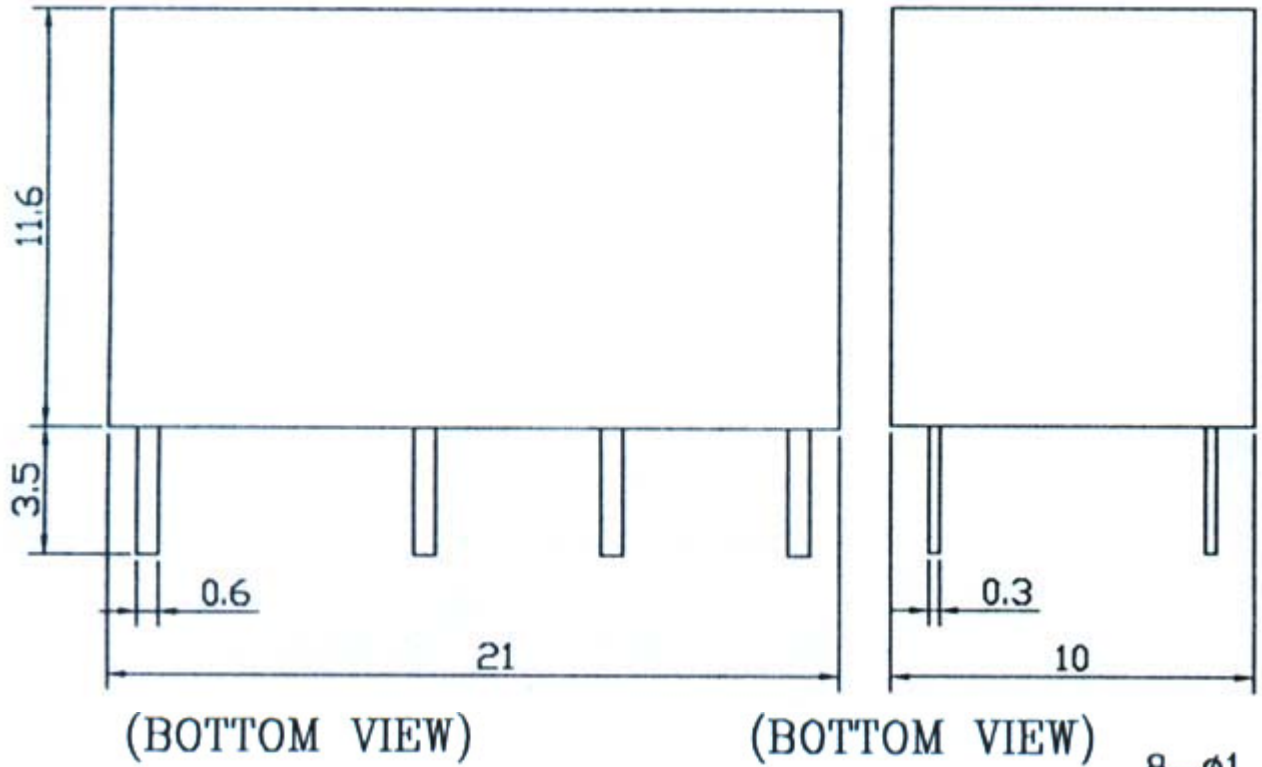
Nominal Voltage (VDC)	Coil Resistance (Ω)±10%	Nominal operating power (W)	Coil Resistance (Ω)±10%	Nominal operating power (W)	Pick-up Voltage VDC	Drop-out Voltage VDC	Max.Allowable Voltage
3	45	0.2	25	0.36	75%Max.	10%Min.	130%of nominal Voltage
5	125		70				
6	180		100				
9	405		225				
12	720		400				
24	2880	0.45	1600	0.45			
48	4600		4600				

ORDERING INFORMATION

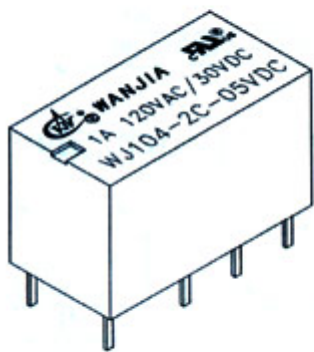


① Type	② Coil sensitivity	③ Number of pole	④ Contact form	⑤ Coil voltage(DC)
WJ104	Nil: 0.36W H: 0.2W	2 : 2pole	A: form A C: form C	3, 5, 6, 9, 12, 24, 48V

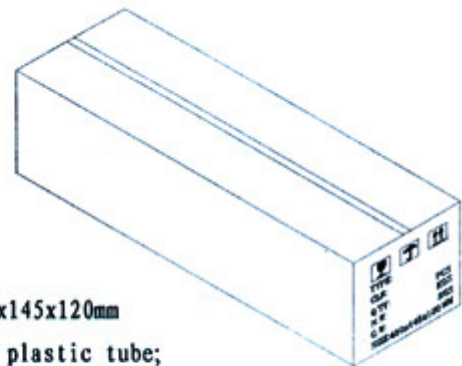




pattern of printing



Packing



MBAS: 450x145x120mm
20pcs per plastic tube;
50pcs plastic tubes per carton;
1000pcs Relay for total per carton;
weight: Approx 12.2Kg;

Quality policy:

Today's quality is our future market;
 Vendors'satisfaction is our pursuing goal.

Environment policy:

Keeping the system,Abiding by laws;
 Innovation in technology,Precaution in pollutions;
 Propaganda & education,Continual improvement.