

- 8A switching capacities
- 1 Pole configurations
- 5KV dielectric coil to contacts
- Low height 12.3 mm
- Sealed & unsealed type available
- Creepage distance 8mm

SPECIFICATIONS
Contact

| | |
|--------------------------------------------------|-----------------------|
| Arrangement | 1C , 1A |
| Contact Material | Silver alloy |
| Initial Contact Resistance (At voltage 6V 1A) | Max.100mΩ |
| Rating | |
| Nominal switching capacity | 8A 250VAC |
| Resistive load(cosφ=1) | 8A 30VDC |
| UL/C-UL Rating | |
| Resistive load (cosφ=1) | 8A 250VAC 8A 30VDC |
| VDE Rating | 8A 250VAC 8A 30VDC |
| Max. Switching voltage | 440VAC / 240VDC |
| Max. Switching current | 10A |
| Max. Switching power | 2000VA 150W |
| Expected life(min.ope) | |
| Mechanical(at 180 cpm) | 2×10 ⁷ |
| Electrical (at 20 cpm) | 1×10 ⁵ |

Characteristics

| | | |
|---------------------------|-------------|------------------------------------------|
| | | WJ121 |
| Operate Time | | 7 msec. |
| Release Time | | 3 msec. |
| Operating humidity | | 35% to 85% RH |
| Initial breakdown voltage | | |
| Between coil & contact | | 5000VAC (50/60Hz)for 1 min. |
| Between open contacts | | 1000VAC (50/60Hz)for 1 min. |
| Insulation Resistance | | Min. 1000MΩ 500 VAC |
| Surge Voltage | | |
| Between Contacts&Coils | | 10,000V (1.2 × 50 us) |
| Ambient temperature | | -40℃ ~ +85℃ |
| Temperature rise(Max) | | 45deg |
| Shock Resistance | Functional | 100 m/s ² Min.10G |
| | Destruction | 1000 m/s ² Min.100G |
| Vibration Resistance | Functional | 10 to 55 Hz at double Amplitude of 1.5mm |
| | Destruction | 10 to 55 Hz at double Amplitude of 1.5mm |
| Unit weight | | Approx.8.2g |
| Construction | | Sealed Type and unsealed Type |

Coil

| | |
|-------------------------|----------------|
| Nominal operating power | 0.22W to 0.25W |
|-------------------------|----------------|

TYPICAL APPLICATION 1..House appliances: TV/ VCR / Microwave Ovens

2.Office Machines:Photocopiers, Vending Machines . 3 .Industrial equipment :N.C Machines, Robots

ORDERING INFORMATION
WJ121 - 1 C - 12VDC S G F

① ② ③ ④ ⑤ ⑥ ⑦

| ①Part Number | ②Number of pole | ③Contact Form | ④Coil Voltage | ⑤ | ⑥ | ⑦ |
|--------------|-----------------|-----------------------------------------------------|--------------------------------|--------------------------------|------------------------------------------------|--------------------------------------------|
| WJ121 | 1:1group | 1A: SPST-NO, 5 mm Pins 1 C: SPDT, 3.2 mm Pins | DC: 3, 5, 6, 9, 12, 24, 48V | Nil : unsealed S: Sealed | Nil: AgCdO12 T: AgSnO2 G: Gold plated | F: Class F, 155℃ B: Class B, 133℃ |

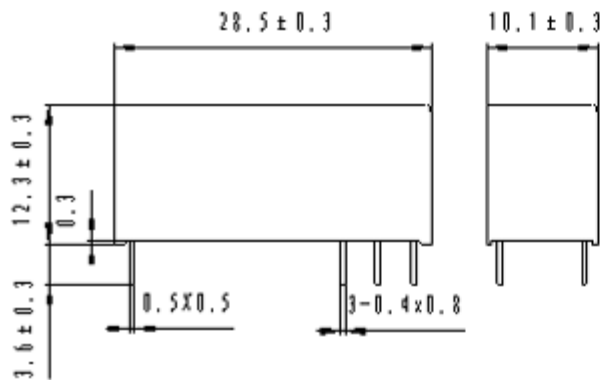
COIL DATA (at 20°C)

| Nominal Voltage (VDC) | Coil Resistance (Ω) $\pm 10\%$ | Power Consumption (W) | Pull-in Voltage (VDC) | Drop-out Voltage (VDC) | Max. Allowable Voltage (VDC) |
|-----------------------|-----------------------------------------|-----------------------|-----------------------|------------------------|------------------------------|
| 5 | 113 | abt.0.25 | 70% | 10% | 240 |
| 6 | 164 | | | | |
| 12 | 617 | | | | |
| 18 | 1295 | | | | |
| 24 | 2350 | | | | |
| 48 | 9600 | | | | |
| 60 | 12500 | | | | |

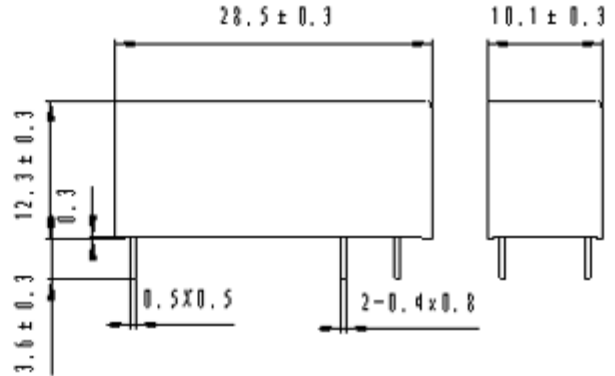
DIMENSIONS

Unit: mm

3.2 mm Terminals (Pins)

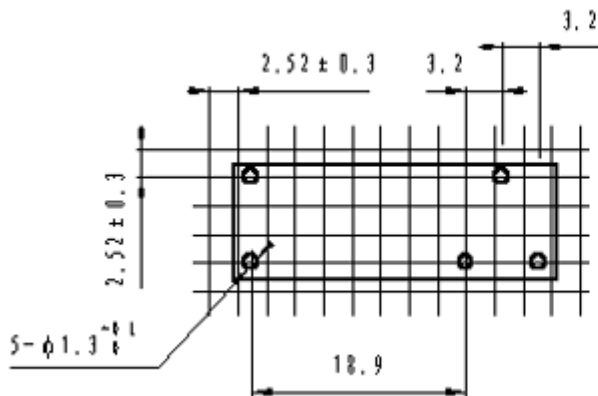


5 mm Terminals (Pins)

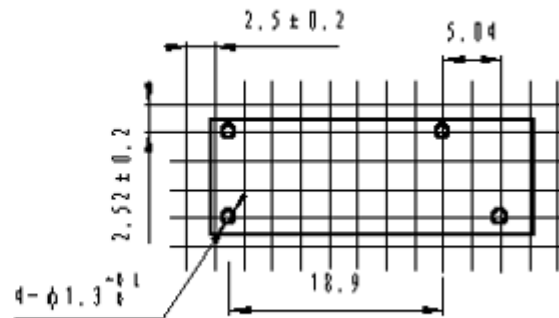


PCB LAYOUT (T=2.52±0.02mm)

1C 3.2 mm Terminals



1A 5 mm Terminals



WIRING SCHEMATIC

1C 3.2 mm Terminals



1A 5 mm Terminals

