



POWER PCB RELAY

WJ105-RELAYS



- Ultra Miniature Size
- 10A, 5A switching Capability
- SPST-NO and SPDT configuration
- Surge resistiveness of 5000V
- Sealing Construction.
- UL/C-UL recognized.

SPECIFICATIONS

Contact

	WJ105 (0.45W)	WJ105 (0.2W)
Arrangement	1 A, 1C	
Contact Material	Silver alloy	
Contact Resistance (By voltage 6V 1A)	Max.100mΩ	
UL/C-UL Rating	10A 120VAC	5A 120VAC
Resistive load (cosφ=1)	5A 250VAC	3A 250VAC
General use (cosφ=0.75~0.8)	5A 28VDC	3A 28VDC
	1.5A 250VAC	1A 250VAC
Max. Switching voltage	265VAC	30VDC
Max. Switching current	10A	5A
Max. Switching power	1200VA 150W	720VA 90W
Expected life(min.ope) Mechanical(at 120 cpm)	1×10 ⁷	
Electrical (at 20 cpm)	1×10 ⁵	

Characteristics

	WJ105 (0.45W)	WJ105(0.2W)
Operate Time	Max.10msec.	Max.15msec.
Release Time	Max.4msec.	
Operating humidity	45 to 85% RH	
Initial breakdown voltage Between coil & contact Between open contacts	3,000VAC (50/60Hz)for 1 min. 1,000VAC (50/60Hz)for 1 min.	
Insulation Resistance	Min. 1000MΩ (500 VDC)	
Ambient temperature	-30°C~+55°C	-30°C~+80°C
Shock Resistance	Functional	Min. 10G
	Destruction	Min. 100G
Vibration Resistance	Functional	10 to 55 Hz at double Amplitude of 1.5mm
	Destruction	10 to 55 Hz at double Amplitude of 1.5mm
Insulation withstand voltage	5000V 1.2×50μs	
Unit weight	Approx.9g	

Coil

Nominal operating power	0.2 to 0.45W
-------------------------	--------------

TYPICAL APPLICATION : 1.Openers, Emergency lighting equipment, air conditioners.
2.Home appliances, Programmable controllers, Garage door etc

ORDERING INFORMATION

e. g.

WJ105- 1 A - 12VDC 45Ω

① ② ③ ④ ⑤



350 Milford Point Rd. Milford, CT 06460 P.203-878-0400 F.203-878-0458
www.jaxxeninc.com info@jaxxeninc.com

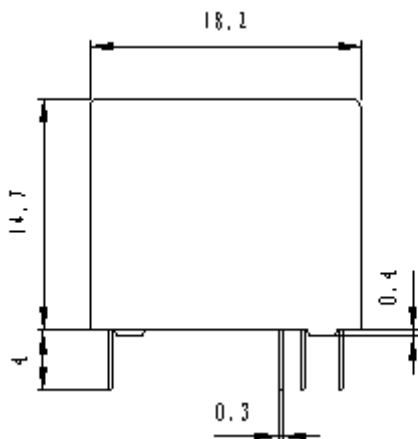
Relay Series	Contact Arrangement:	Coil Voltage:	coil power
WJ105	1A: SPST-NO 1C: SPDT	DC: 3, 5, 6, 9, 12, 24, 48V	Nil: 0.45W coil power 45Ω,125Ω,180Ω,400Ω,720Ω,2800Ω, 11520Ω: 0.2W coil power

COIL DATA (at 20°C)

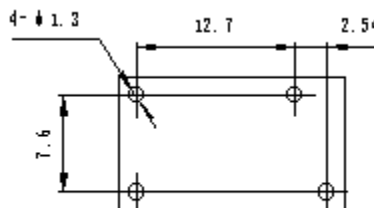
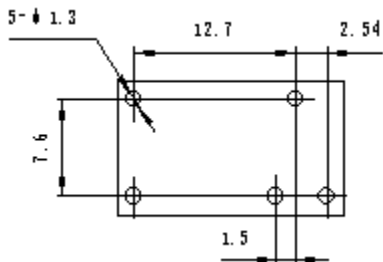
Nominal Voltage (VDC)	Nominal Current (mA)	Coil Resistance (Ω) \pm 10%	Power Consumption (W)	Pull-in Voltage (VDC)	Drop-out Voltage (VDC)	Max. Allowable Voltage (VDC)
3	150.0	20	0.45	75%Max.	5%Min.	130% of nominal voltage
5	91.0	55				
6	75.0	80				
9	50.0	180				
12	37.5	320				
24	18.8	1280				
48	9.4	5100	0.20	75%Max.	5%Min.	130% of nominal voltage
3	67.0	45				
5	40.0	125				
6	33.3	180				
9	22.5	400				
12	16.7	720				
24	8.16	2800				

DIMENSIONS

Unit: mm

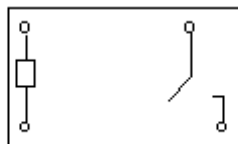


PCB LAYOUT (T=2.52 \pm 0.02mm)



SCHEMATIC

1A (SPST-NO)



1C (SPDT)

