



- Polarized Latching Relay (Monostable or Bistable)
- High contact load.
- Low power consumption.
- Small size, vertically mouting.
- Long life and high reliability
- Conform to Stands IEC255 - IEC60065
- Varies Shunts or braid wires can be welded by us.

SPECIFICATIONS

Contact

Arrangement	1A,1B
Contact Material	Silver alloy
Contact Resistance (By voltage drop 6V 1A)	Max.2mΩ
Rating Nominal switching capacity Resistive load	60A 250VAC 60A 28VDC
Max. Switching Voltage	28VDC/250VAC
Max. Switching Current	60A
Max. Switching Power	3600VA/336W
Expected life (min.ope) Mechanical (at 120 cpm) Electrical (at 20 cpm)	1×10 ⁶ 1×10 ⁴

Characteristics

Operate Time	Max. 20msec.	
Release Time	Max. 20msec.	
Initial breakdown voltage Between coil contacts Between open & contact	4000VAC (50/60Hz) for 1 min. 1500VAC (50/60Hz) for 1 min.	
Insulation Resistance	Min. 100MΩ (500 VDC)	
Ambient temperature	-40°C ~ +55°C	
Operating humidity	45 to 85% RH	
Shock Resistance	Functional	Min. 10G
	Destruction	Min. 100G
Vibration Resistance	Functional	10 to 55 Hz at double Amplitude of 1.5mm
	Destruction	10 to 55 Hz at double Amplitude of 1.5mm
Unit weight	Approx.3g	

Coil DATE

Coil	Single Coil:1.5W
Consumption	Double Coil: 3W
Coil Voltage	6j<110VDC
Coil Resistance	see COIL SPECIFICATION below

UL/C-UL Rating

Resistive load (cosφ=1)	1A,1B
Inductive load (cosφ=0.75 - 0.8)	60A 250VAC 60A 28VDC

COIL SPECIFICATION (at 20°C)

Type	Nominal Voltage (VDC) (VAC)	Coil Resistance (Ω)	Double Coil Resistance(Ω)	Nominal operating power (W)	Pull-in Voltage	Drop-out Voltage	Max.Allowable Voltage
DC	6	24	12	abt. 1.5W/3W	70% Max.	10% Min.	120%
	12	96	48				
	24	384	192				
	48	1536	768				

ORDERING INFORMATION



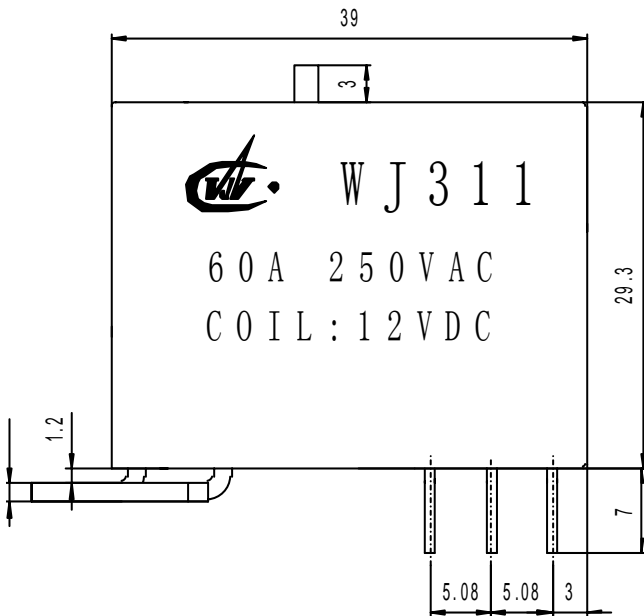
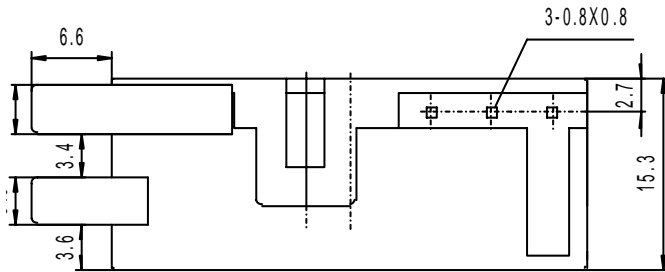
① ② ③ ④

① ② ③ ④

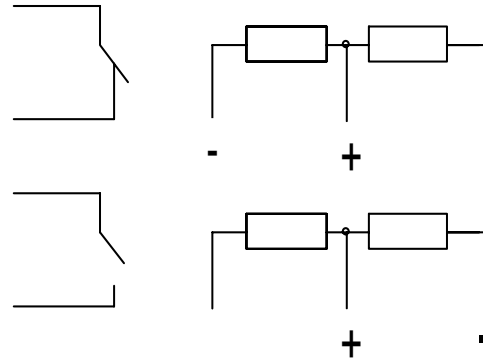
Type	Number of pole	Contact form	Coilvoltage
WJ311	1 : 1pole	A: Form A B: Form B	Coil: 6-48VDC

DIMENSIONS

Unit: mm



double coil



single coil

