

產品描述

Description

- ◆ 螺管式磁路結構，觸點間隙大，開斷容量大；
Solenoid-type configuration, wide clearance between contacts, heavy capacity of contact load;
- ◆ 觸點閉合保持力大，接觸電阻穩定；
High magnetic latching force, stable contact resistance;
- ◆ 繼電器抗振動、衝擊性能好；
Strong anti-shock, and good vibration resistance;
- ◆ 絕緣性能好；
Good insulation;
- ◆ 觸點壽命長。
Long life of contact.

性能參數

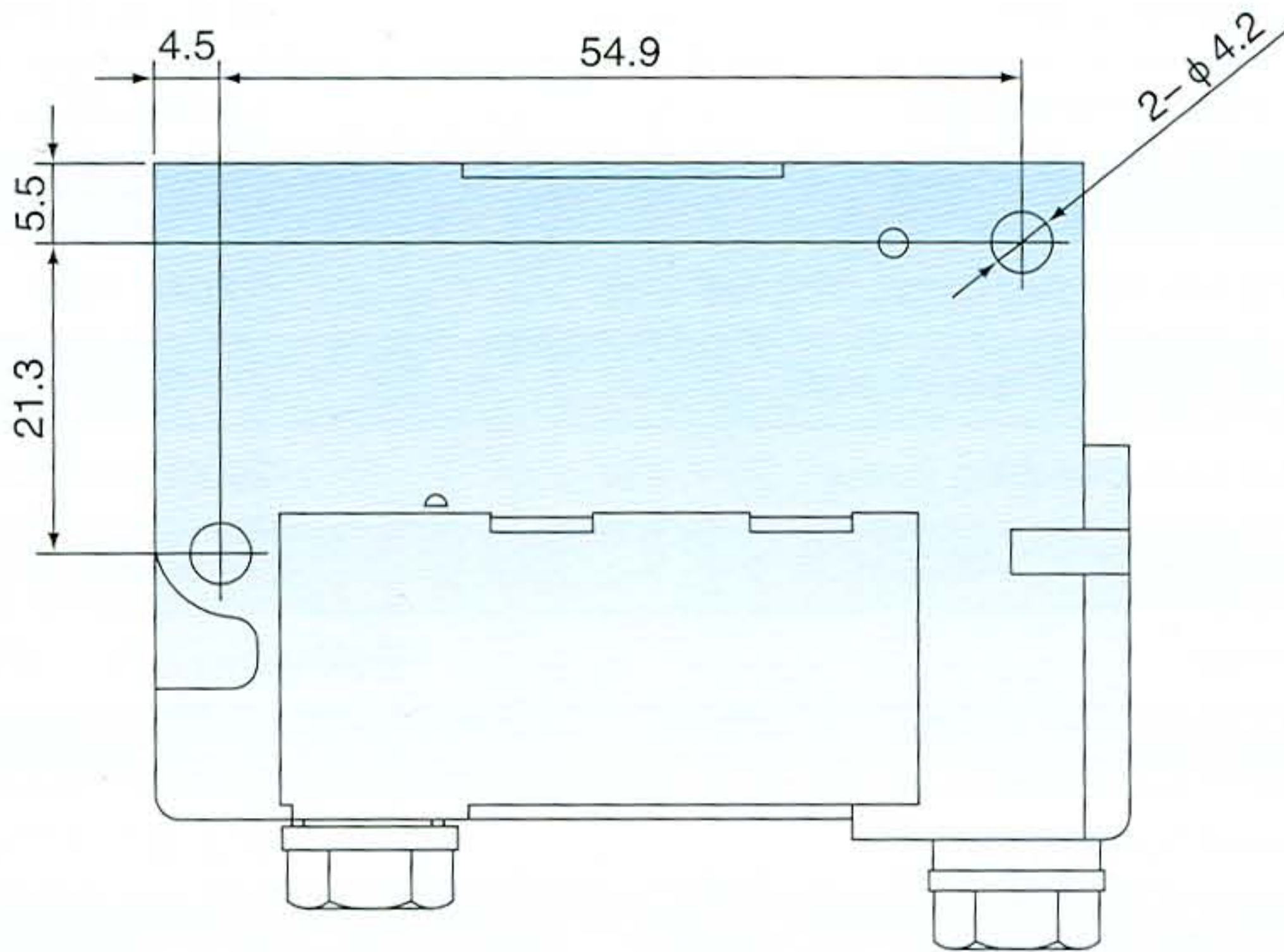
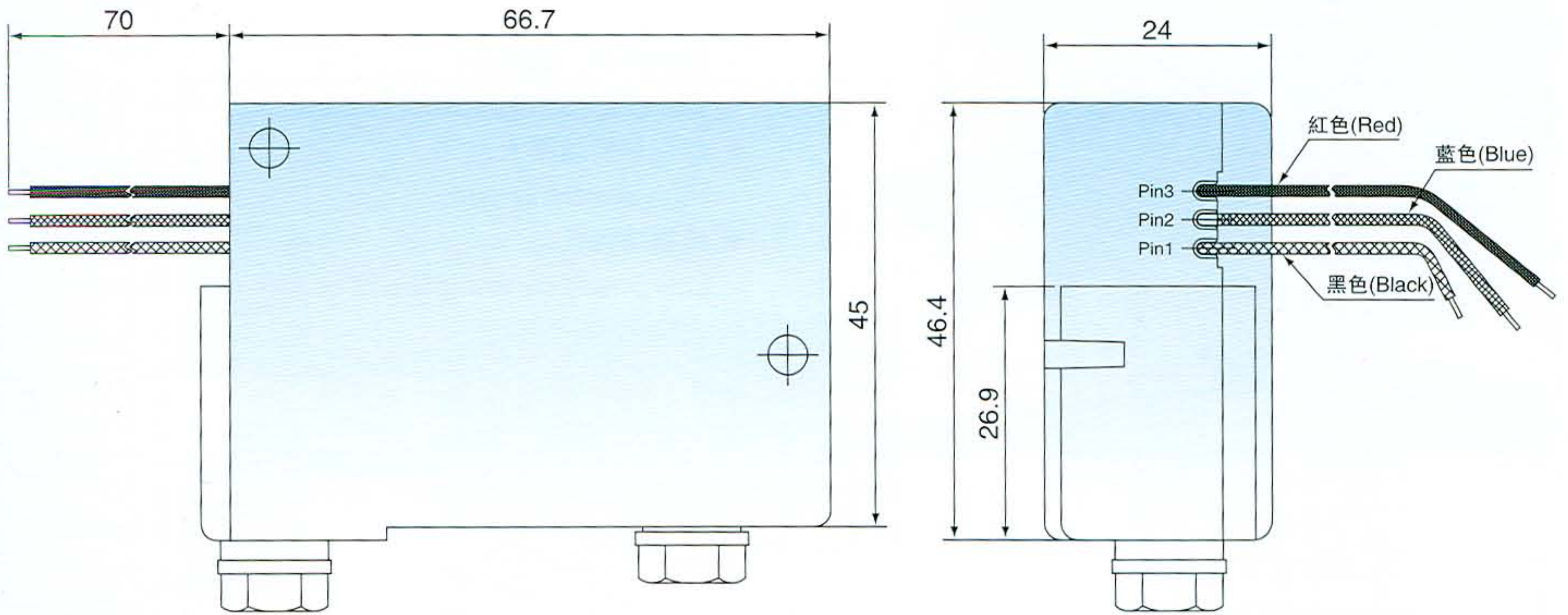
Specifications Data

基本參數 Basic Data	外型尺寸 Dimensions (mm)	66.7 × 24.0 × 48.5	
	觸點形式 Contact Arrangement	1A、1B	
	觸點材料 Contact Material	銀合金 (Silver Alloy)	
	最大切换電流 Max Switching Current (阻性 Anti-load)	80A, 100A	
	最大切换電壓 Max Switching Voltage	110VDC/250VAC	
	最大切换功率 Max Switching Power	3000W/25000VA	
性能參數 Specifications Data	綫圈額定電壓 Coil Rated Voltage	6~48VDC	
	功耗 Coil Power	單(Single): 2.8W, 雙(Double): 5.7W	
	置位電壓 Set Voltage	≤ 80% 額定值(Rated Voltage)	
	復位電壓 Reset Voltage	≤ 80% 額定值(Rated Voltage)	
	電壓脈衝寬度 Voltage Pulse Width	≥ 50ms	
	置位/復位時間 Set/Reset Time	≤ 20/20ms	
	觸點回跳時間 Contact Bounce Time	≤ 5ms	
	接觸電阻 Contact Resistance	≤ 2mΩ	
	絕緣電阻 Insulation Resistance	≥ 1000MΩ	
	介質耐壓 Dielectric Strength	觸點間 Between Open Contacts	≥ 1000VAC
		觸點-綫圈間 Between Coil & Contacts	≥ 5000VAC
	環境溫度 Ambient Temp	-40~+55°C	
	壽命 Life	電氣 Electrical (Operation)	3 × 10 ⁴
機械 Mechanical (Operation)		1 × 10 ⁶	

MAGNETIC LATCHING RELAYS

引出端形式、安裝尺寸

Terminal Code, Mounting Dimensions



接綫圖(Wiring diagram)

