



- Small size and light weight.
- Low coil power consumption.
- High contact load.
- Strong anti-shock high reliability.

SPECIFICATIONS
Contact

Arrangement	1A 1B 1C	
Contact Material	Silver alloy	
Contact Resistance (By voltage drop 6V 1A)	Max.50mΩ	
Rating	50A	40A 250VAC
Nominal switching capacity	250VAC	
Resistive load		
Max. Switching Voltage	28VDC/250VAC	
Max. Switching Current	40A	
Max. Switching Power	10000VA/1120W	
Expected life (min. ope)	1×10 ⁷	
Mechanical (at 120 cpm)	1×10 ⁵	
Electrical (at 20 cpm)		

Characteristics

Operate Time	Max. 20 msec.	
Release Time	Max. 15 msec.	
Initial breakdown voltage	1500VAC (50/60Hz) for 1 min.	
Between coil & contact	1500VAC (50/60Hz) for 1 min.	
Between open contacts	1500VAC (50/60Hz) for 1 min.	
Insulation Resistance	Min. 1000MΩ (500 VDC)	
Ambient temperature	-40°C ~ +70°C	
Operating humidity	45 to 85% RH	
Shock Resistance	Functional	Min. 10G
	Destruction	Min. 100G
Vibration Resistance	Functional	10 to 55 Hz at double Amplitude of 1.5mm
	Destruction	10 to 55 Hz at double Amplitude of 1.5mm
Unit weight	Approx. 90g	

COIL DATE

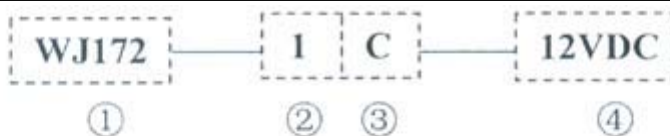
Coil Consumption	sensitive: 4.5VA/3W
Coil Voltage (1pole)	6 - 110VDC
Coil Voltage (2pole)	6 - 240VAC
Coil Resistance	see COIL SPECIFICATION below

UL/C-UL Rating

Resistive load (cosφ=1)	
Inductive load (cosφ=0.75 - 0.8)	

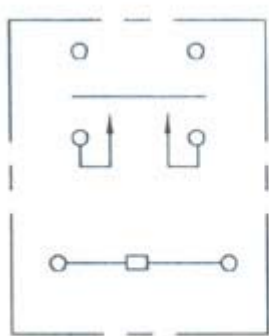
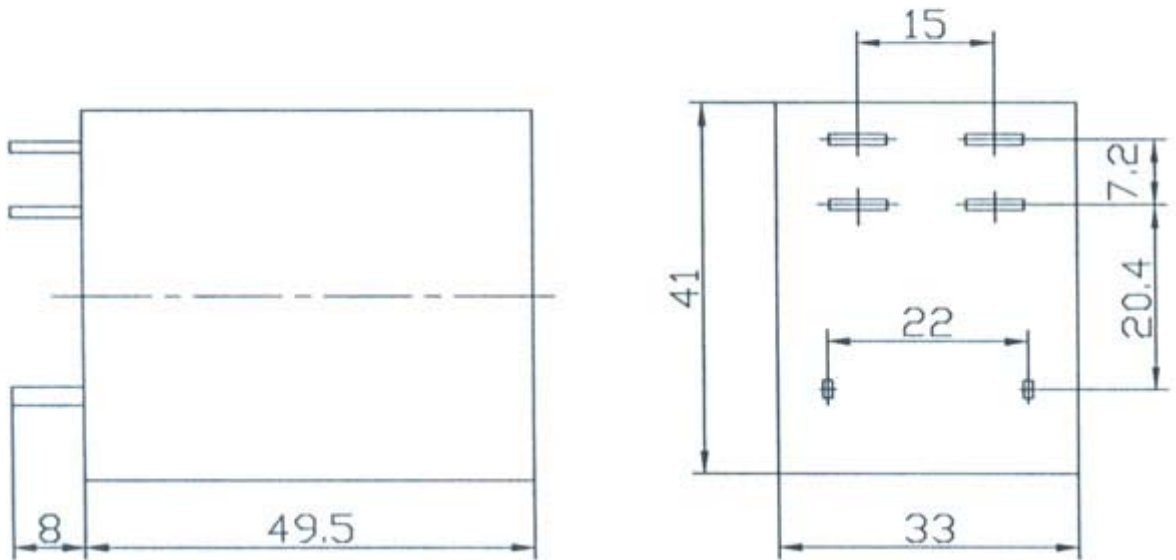
COIL SPECIFICATION (at 20°C)

Type	Nominal Voltage (VDC) (VAC)	Coil Resistance (Ω)	Nominal operating power (W)	Pick-up Voltage	Drop-out & Allowable Voltage & Max. Voltage
AC	12	9	abt. 4.5VA (50 - 60Hz)	75% Max.	30% Min. 120%
	24	40			
	36	78			
	48	145			
	110	790			
	220	2800			
DC	6	12	abt. 3W	75% Max.	10% Min. 120%
	12	48			
	15	75			
	24	192			
	48	768			
	110				

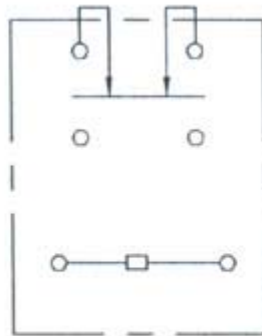
ORDERING INFORMATION


Type	Number of pole	Contact form	Coil voltage
WJ172	1 : 1pole	A: Form A B: Form B C: Form C	Coil: 6-110VDC 6-240VAC

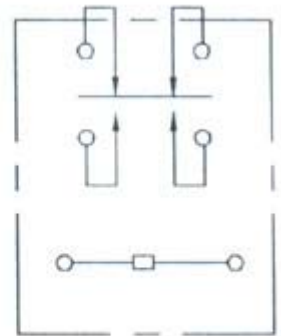
WJ172-1Pole Plug terminal



1A



1B



1C

Quality policy:

Today's quality is our future market;
Our goal is pursuing Vendor satisfaction.

Environmental policy:

Keeping the system safe, Abiding by laws;
Innovation in technology, Prevention of pollution;
Advertising & education, Continuous improvement.