



- Small size and light weight.
- Stable operation even at low or high temperatures.

SPECIFICATIONS

Contact

Arrangement	1A
Contact Material	Silver alloy
Contact Resistance (By voltage drop 6V 1A)	Max. 100mΩ
Rating Nominal switching capacity Resistive load	30A 14VDC 15A 28VDC
Max. Switching current	30A
Max. Switching Power	420W
Inrush current	150A (0.1sec. or less)
Expected life (min. ope) Mechanical (at 120 cpm) Electrical (at 20 cpm)	 1×10^7 1×10^5

Characteristics

Operate Time	Max. 10msec.	
Release Time	Max. 8msec.	
Initial breakdown voltage Between coil & contact Between open contacts	100VAC (50/60Hz) for 1 min. 500VAC (50/60Hz) for 1 min.	
Insulation Resistance	Min.100MΩ (500 VDC)	
Ambient temperature	-40°C ~ +85°C(Not frozen under 0°C)	
Operating humidity	45 to 85% RH	
Shock Resistance	Functional	Min. 10G
	Destruction	Min. 100G
Vibration Resistance	Functional	10 to 55 Hz at double Amplitude of 1.5mm
	Destruction	10 to 55 Hz at double Amplitude of 1.5mm
Unit weight	Approx.28g	

COIL DATE

Coil Consumption	sensitive: 1.1W
Coil Voltage	3 - 240VDC
Coil Resistance	see COIL SPECIFICATION below

COIL SPECIFICATION (at 20°C)

Nominal Voltage (VDC)	Coil Resistance (Ω)±10%	Nominal operating power (W)	Pick-up Voltage (VDC)	Drop-out Voltage (VDC)	Max. Allowable Voltage (VDC)
5	17.4	1.44	70% Max.	10% Min.	150% of nominal Voltage
6	25				
9	56.2				
12	100				
15	156				
18	225				
24	400				

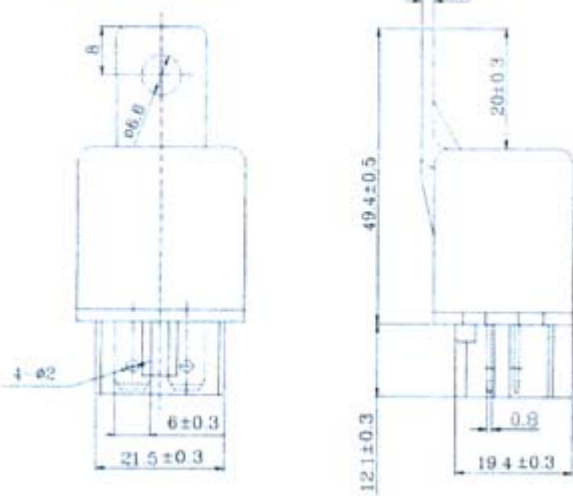
ORDERING INFORMATION



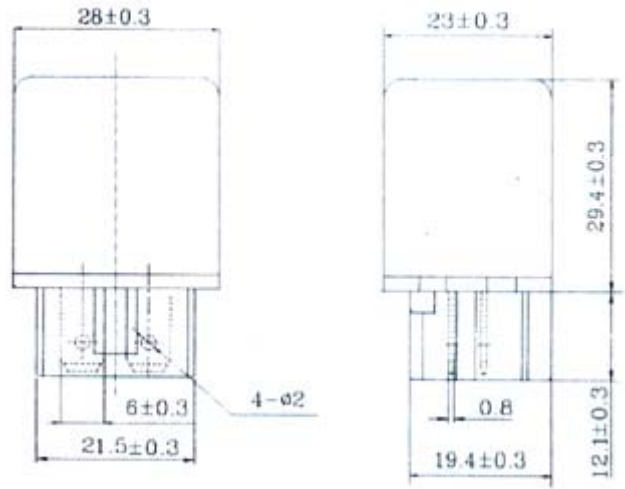
① Type	② Number of pole	③ Contact form	④ Case form	⑤ Coilvoltage (DC)
WJ203	1 : 1pole	A: 1 form A	F : flange case type	5, 6, 9, 12,15,18,24 V

DIMENSIONS Unit: mm

WJ203-1AF

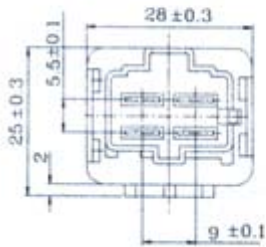


WJ203-1A



WJ203-1AF

(BOTTOM VIEW)

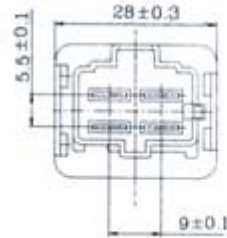


(BOTTOM VIEW)



WJ203-1A

(BOTTOM VIEW)



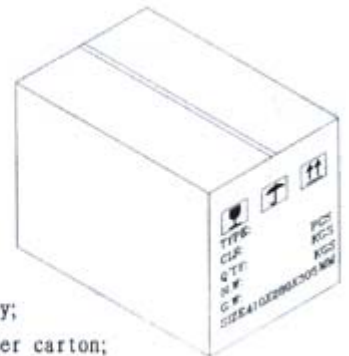
(BOTTOM VIEW)



pattern of printing



Packing



MEAS: 410x280x305mm

25pcs per plastic tray;

20pcs plastic tubes per carton;

500pcs Relays for total per carton;

weight: Approx 21Kg;

Quality policy:

Today's quality is our future market;

Our goal is pursuing Vendor satisfaction.

Environmental policy:

Keeping the system safe, Abiding by laws;

Innovation in technology, Prevention of pollution;

Advertising & education, Continuous improvement.

Note: The



es for the specification will not be advised in the future.
www.jaxxeninc.com info@jaxxeninc.com