



SGR-PCB RELAYS 66G

No. of contacts: **1 CO or 1 NO**
 Rated current: **5 A**
 Inrush current: **10 A**

Order description

SGR 66G ... 1C E

SGR 66G ... 1A E

Contact data

Contact material	AgCdO
Type of contact	Single contact
Rated switching capacity	250 VAC 5A AC1 1250 VA (AK) 250 VAC 3A AC1 750 VA (RK)
Max. switching voltage	250 VAC / 30 VDC
Electrical life	approx. 100.000 operations 250 VAC 5 A
Contact resistance	100 mΩ

Coil data

Nominal voltages	3-5-6-9-12-18-24 VDC
Pick-up voltage	approx. 0,75 x Nominal voltage (at 20 °C)
Power consumption	typically 200 mW

Options

Sealed IP 67

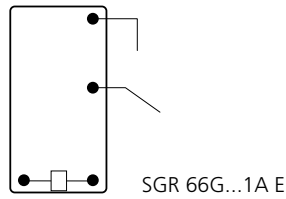
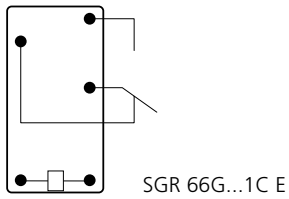
SGR 66G V

General data

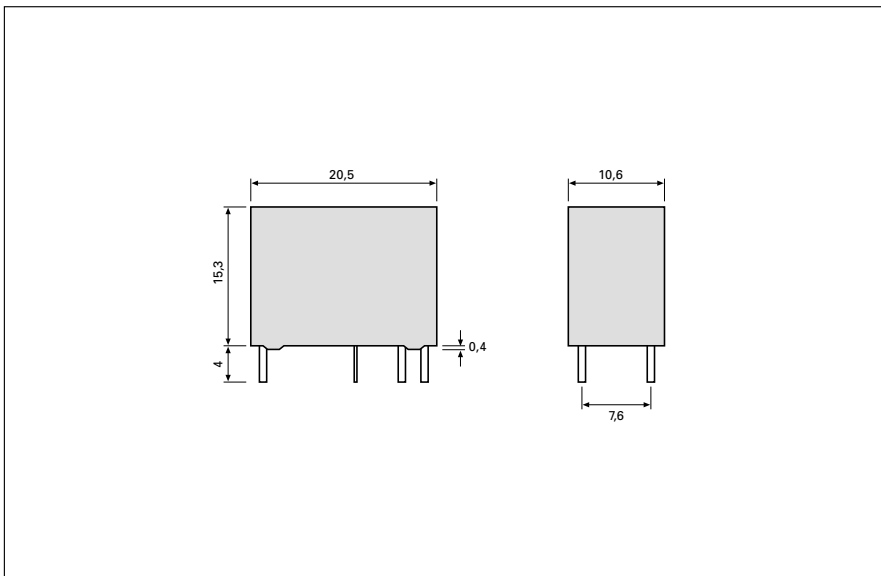
Mechanical life	10 x 10 ⁶ Operations
Operate time	typically 8 ms
Release time	typically 5 ms
Bounce time	typically 5 ms
Vibration resistance	10 g (10-55 Hz)
Test voltage coil-contact	4.000 V _{eff}
Test voltage contact open	1.000 V _{eff}
Weight	7 g
Ambient temperature	-40°C - +70°C
Temperature of soldering bath	260°C / 5 s

Diagrams

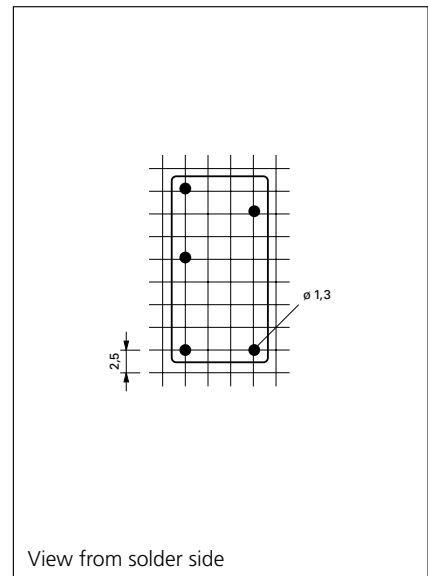
View from above



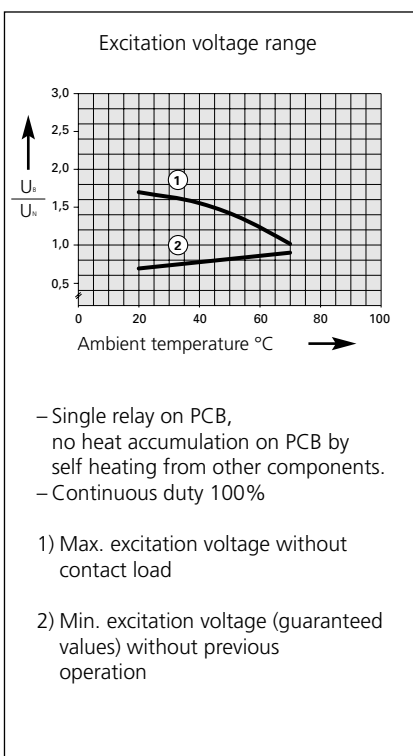
Dimensions drawing (mm)



Drilling pattern (mm)



Coil data



Standard coil for direct current (other voltages on request)

Nominal spannung VDC	Min. pick-up voltage at 20°C	Drop-out spannung at 20°C	Nominal current mA	Resistance Ohm at 20°C	Tolerance %
3	2,25	0,15	66,67	45	10
5	3,75	0,25	40,00	125	10
6	4,50	0,30	33,33	180	10
9	6,75	0,45	22,50	400	10
12	9,00	0,60	16,67	720	10
18	13,50	0,90	11,25	1.600	10
24	18,00	1,20	8,57	2.800	10