

SGR-PCB RELAYS 46G

No. of contacts: **1 CO**
 Rated current: **2 A**

Order description

SGR 46G ... 1C E

Contact data

Contact material	AgPd+Au
Type of contact	
Rated switching capacity	125 VAC 0,5A AC1 62,5 VA 30 VDC 1A 30 W
Max. switching voltage	125 VAC / 60 VDC
Electrical life	approx. 100.000 operations 125 VAC 0,5 A
Contact resistance	100 mΩ

Coil data

Nominal voltages	1,5-3-5-6-9-12-24 VDC
Pick-up voltage	approx. 0,8 x Nominal voltage (at 20 °C)
Power consumption	typically 150 mW / 200 mW*

Options

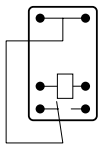
Model with standard coil*
 SGR 46G ... 1C
 SMD model
 SGR 46 ... 1C X

General data

Mechanical life	10 x 10 ⁶ Operations
Operate time	typically 5 ms
Release time	typically 5 ms
Bounce time	typically 5 ms
Vibration resistance	10 g (10-55 Hz)
Test voltage coil-contact	1.000 V _{eff}
Weight	2,2 g
Ambient temperature	-30°C - +70°C
Temperature of soldering bath	260°C / 5 s
Protection category	sealed

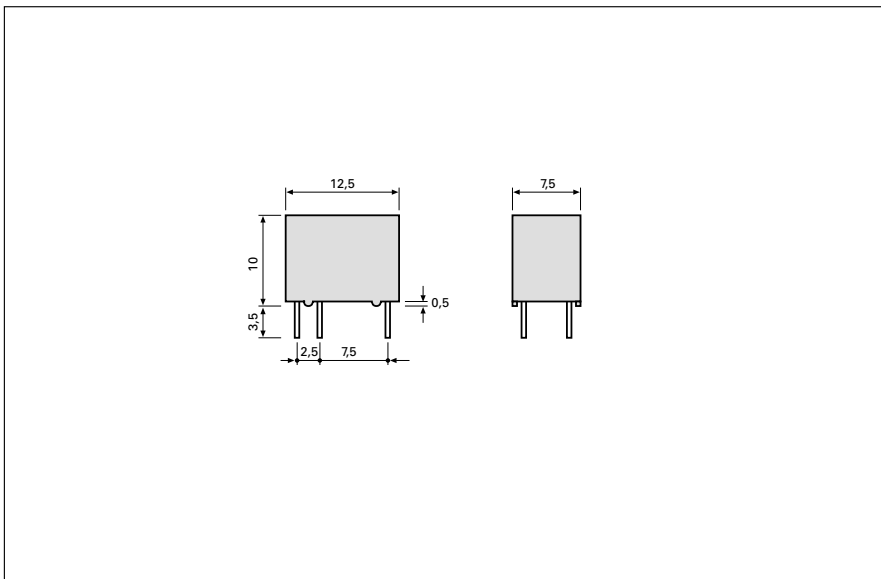
Diagram

View from above

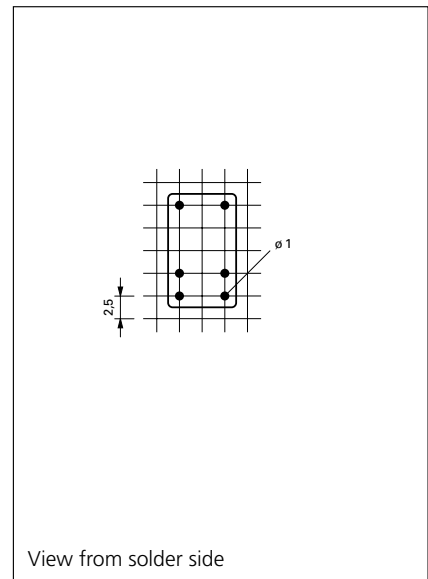


SGR 46G...1C E

Dimensions drawing (mm)

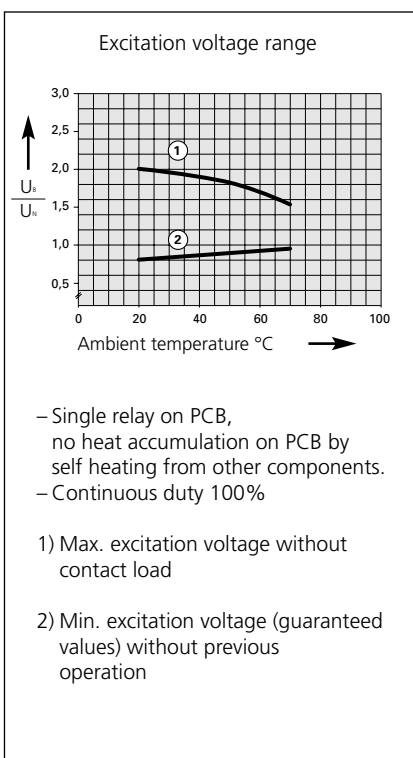


Drilling pattern (mm)



View from solder side

Coil data



Standard coil for direct current (other voltages on request)

Nominal spannung VDC	Min. pick-up voltage at 20°C	Drop-out spannung at 20°C	Nominal current mA	Resistance Ohm at 20°C	Tolerance %
1,5	1,20	0,15	100,00	15	10
3	2,40	0,30	50,00	60	10
5	4,00	0,50	29,90	167	10
6	4,80	0,60	25,00	240	10
9	7,20	0,90	16,70	540	10
12	9,60	1,20	12,50	960	10
24	19,20	2,40	6,25	3.840	15

- Single relay on PCB, no heat accumulation on PCB by self heating from other components.
- Continuous duty 100%

1) Max. excitation voltage without contact load

2) Min. excitation voltage (guaranteed values) without previous operation