

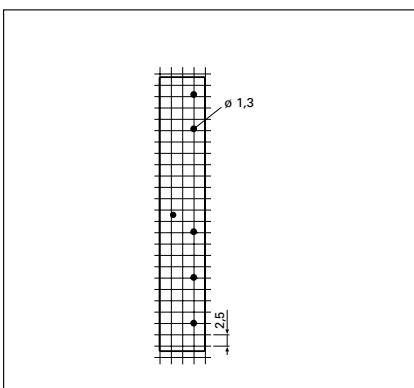
SGR 3x4 – PCB mounting socket

| Type of socket | ZGW 001 |
|----------------|-------------------|
| Fits to relay | SGR 364, 344, 324 |
| Pin layout | (1,25 mm) |

| General data | |
|-------------------------------|------------------------|
| Nominal data | 250 VAC 6 A |
| Test voltage (coil - contact) | 4.000 V _{eff} |
| Contact springs material | CuSn6 plated |
| Mounting | solder pin |
| Creeping resistance | > CTI 125 |
| Weight | approx. 1 g |
| Mounting position | standing |
| Ambient temperature | -25°C - +50°C |
| No. of pins | ZGW 001 5pin |
| Protection category | IP 20 |

Drilling pattern (mm)

View from solder side



Dimensions drawing (mm)

