

Diffuse-reflective sensors, in a robust plastic housing



- DC or AC/DC supply voltage
- Short-circuit protected dual transistor outputs (NPN oder PNP) or relay output with 1 change over contact
- Reverse polarity protection and power-up output suppression
- Light reserve warning indicator
- Cable 2 m or connector M12, rotatable
- EMC tested according to IEC 801 and EN 50081-2/EN 50082-2



Product designation ¹⁾	OGT 1NA 100 I1	OGT 1NA 400 I1	OGT 1PA 100 I1	OGT 1PA 400 I1	OGT 7HW 100 I1
Output	NPN (light- and dark-on)		PNP (light- and dark-on)		Relay (light-on)
Connection	Cable 2 m	Connector M12	Cable 2 m	Connector M12	Cable 2 m
Range adjustment	Yes				
Optical data ²⁾					
Max. range	1,8 m (Kodak card white, 20 x 20 cm)				
Emitter	Infrared-LED, 880 nm, pulsed				
Electrical data ²⁾					
Supply voltage U_s	10...30 VDC			24...240 VAC/DC	
Allowable ripple	+/- 10% of U_s				
Current consumption (without load)	< 15 mA			< 2 VA	
Max. load current I_L	200 mA			2 A	
Residual voltage	< 1,6 V				
Max. switching frequency	1000 Hz			25 Hz	
Environmental data					
Sealing	IP 67				
Temperature T_A (operating and storage)	-25...+65 °C				
Weight	ca. 140 g	ca. 100 g	ca. 140 g	ca. 100 g	ca. 200 g

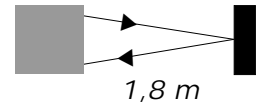
1) For product designation of sensors with options see designation code on page 93.

2) When not otherwise noted, all technical data at $T_A = 25\text{ °C}$ and $U_s = 24\text{ VDC}$ or $U_s = 220\text{ VAC}$, respectively.

24...240 VAC/DC 10...30 VDC

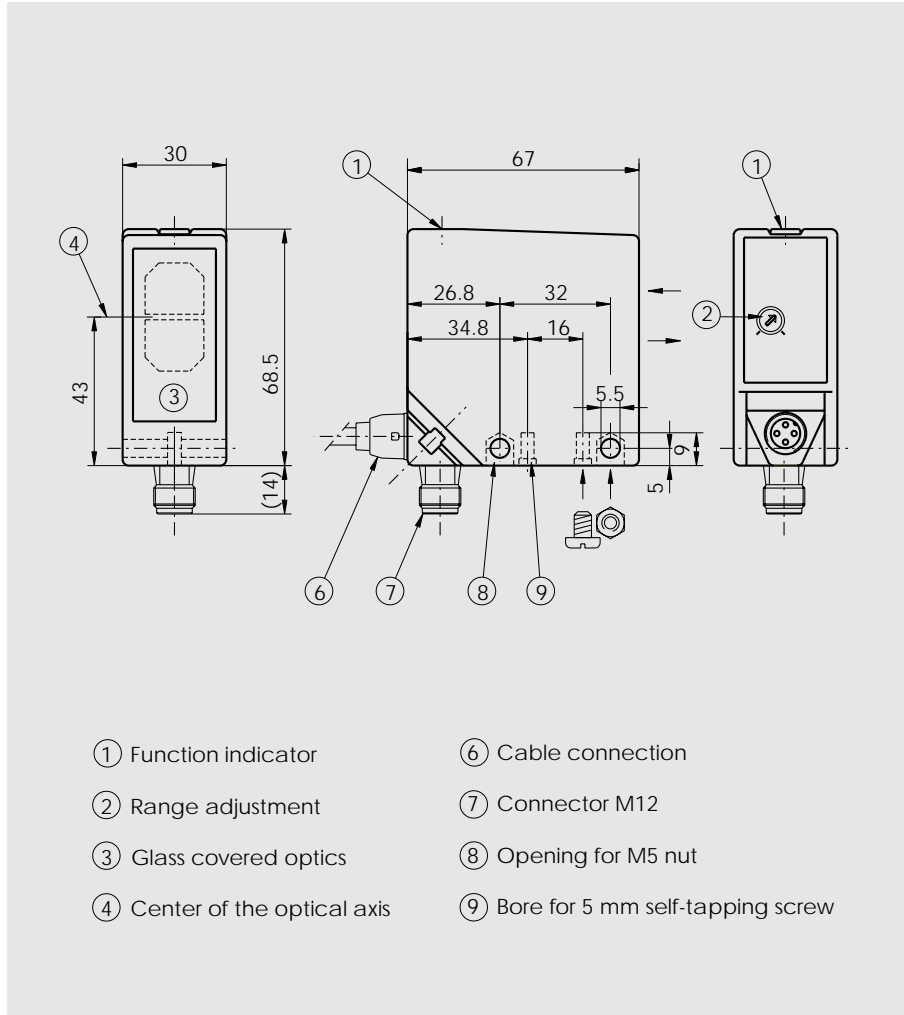
Relay
1 CO contact

NPN / PNP
light-on and
dark-on output

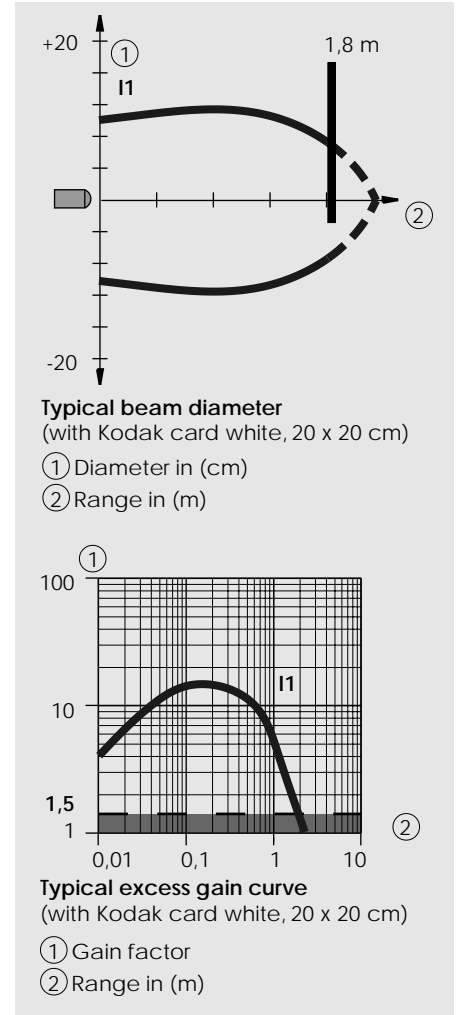


OGT

Dimensions (68,5 mm x 67 mm x 30 mm)



Optical diagrams



Wiring diagram

