

# Retro-reflective sensors, ultramini



- Front or back mounting in the direction of the optical axis
- Light reserve warning indicator
- Insensitive to foreign light sources, e.g. HF-lamps, etc.
- «Cross-talk» suppression for elimination of mutual disturbances
- Dual transistor outputs, NPN or PNP
- Short-circuit protection, reverse polarity protection, and power-up output suppression
- Connections: Cable, 2 meter  
Connector, M8
- EMC tested according to IEC 801 and EN50081-1/EN 50082-2



## Product designation<sup>1)</sup>

Output
Connection
Range adjustment
Optical data <sup>2)</sup>
Range
Emitter
Electrical data <sup>2)</sup>
Supply voltage $U_s$
Allowable ripple
Current consumption (without load)
Max. load current $I_L$
Residual voltage
Max. switching frequency
Environmental data
Sealing
Temperature $T_A$ (operating and storage)
Weight

OUR 1NA 140 I1	OUR 1NA 540 I1	OUR 1PA 140 I1	OUR 1PA 540 I1
NPN (light- and dark-on)		PNP (light- and dark-on)	
Cable 2 m	Connector M8	Cable 2 m	Connector M8
No			
0,03...1 m (retroreflector OZR 001)			
Infrared-LED, 870 nm, pulsed			
10...30 VDC			
+/- 10% of $U_s$			
< 15 mA			
100 mA			
< 1,6 V			
1000 Hz			
IP 67			
-25...+65 °C			
ca. 45 g	ca. 4 g	ca. 45 g	ca. 4 g

1) For product designation of sensors with options see designation code on page 13.

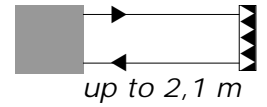
2) When not otherwise noted, all technical data at  $T_A = 25\text{ °C}$  and  $U_s = 24\text{ V}$ .

Retro-reflector ●	Range	Retro-reflector ■	Range	Retro-reflective tape	Range
OZR 001	0.03 – 1.0 m	OZR 101	0.03 – 1.6 m	OZR 201*	0.08 – 0.3 m
OZR 002	0.02 – 0.9 m	OZR 102	0.03 – 0.5 m	OZR 202	0.10 – 0.9 m
OZR 003	0.02 – 0.35 m	OZR 103	0.03 – 1.2 m	OZR 203	0.10 – 0.6 m
		OZR 104	0.03 – 2.1 m	OZR 204*	0.10 – 0.45 m
				OZR 205*	0.10 – 0.55 m

\* 30 cm long

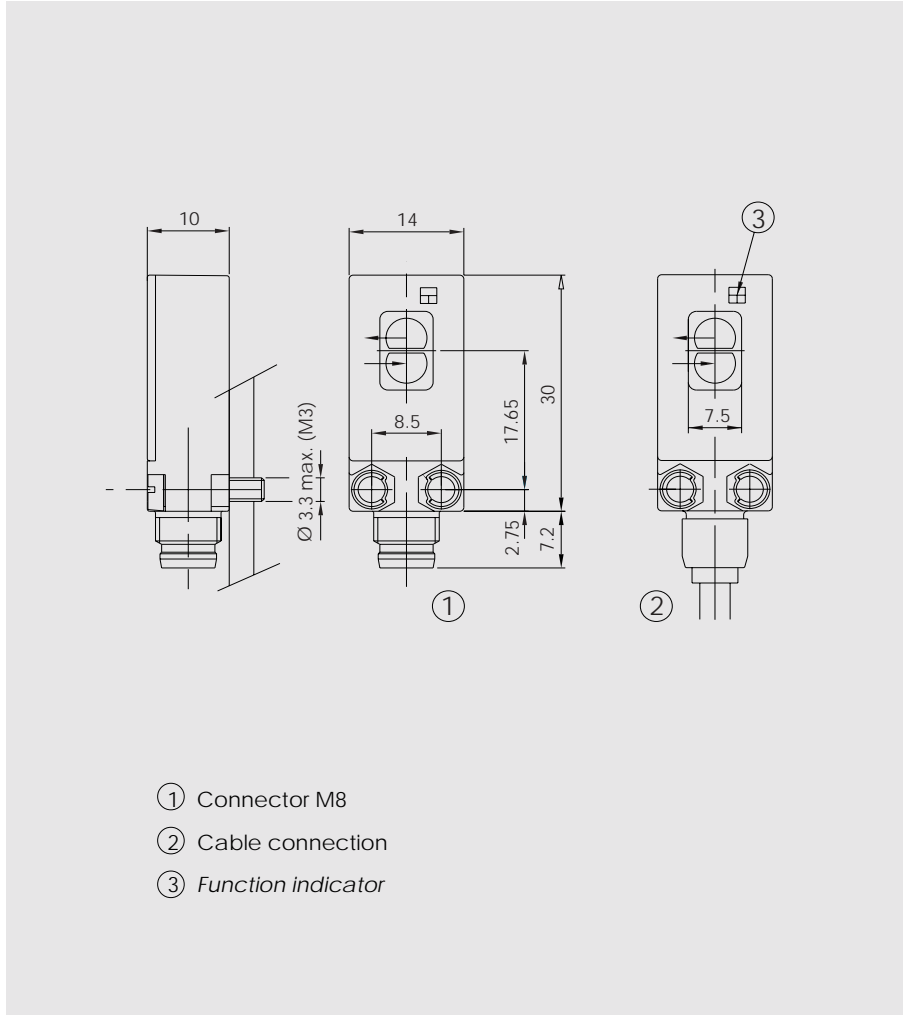
10...30 VDC

NPN / PNP  
light-on and  
dark-on output

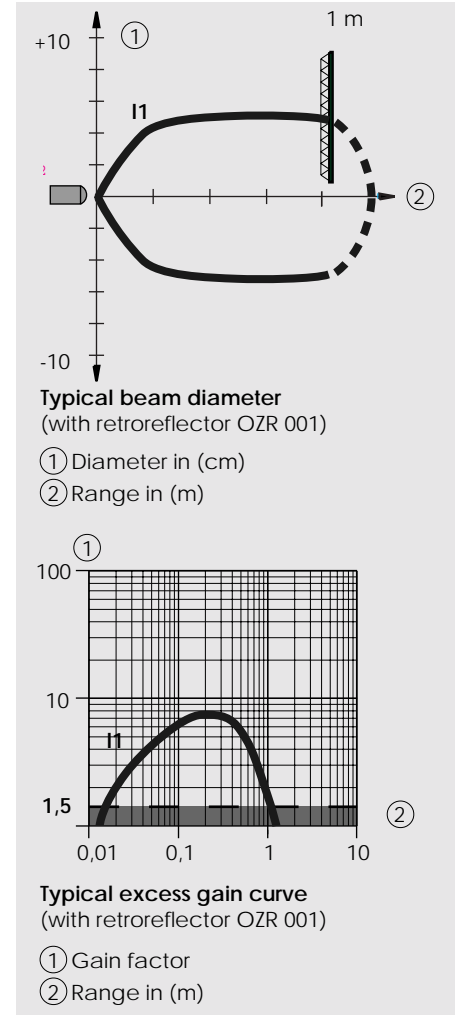


OUR

Dimensions (30 mm x 10 mm x 14 mm)



Optical diagrams



Wiring diagram

