

Through-beam sensors, ultramini



- Front or back mounting in the direction of the optical axis
- *Light reserve warning indicator*
- Insensitive to foreign light sources, e.g. HF-lamps, etc.
- Dual transistor outputs, NPN or PNP
- *Short-circuit protection, reverse polarity protection, and power-up output suppression*
- *Test input*
- Connections: Cable, 2 meter
Connector, M8
- EMC tested according to IEC 801 and EN50081-1/EN 50082-2



Product designation¹⁾

Output
Connection
Range adjustment

Optical data²⁾

Max. range
Emitter

Electrical data²⁾

Supply voltage U_s
Allowable ripple
Current consumption (without load)
Max. load current I_L
Residual voltage
Max. switching frequency
<i>Test input:</i> emitter on emitter off

Environmental data

Sealing
Temperature T_A (operating and storage)
Weight

Emitter		Receiver			
OUS 1KA 141 R1	OUS 1KA 541 R1	OUE 1NA 140 R1	OUE 1NA 540 R1	OUE 1PA 140 R1	OUE 1PA 540 R1
		NPN (light- and dark-on)		PNP (light- and dark-on)	
Cable 2 m	Connector M8	Cable 2 m	Connector M8	Cable 2 m	Connector M8
No		No			
4 m					
Red-LED, 650 nm, pulsed					
10...30 VDC					
+/- 10% of U_s					
< 15 mA		< 8 mA			
		100 mA			
		< 1,6 V			
		1000 Hz			
$\geq 7 V$ open or $\leq 3 V$					
IP 67					
-25...+65 °C					
ca. 45 g	ca. 4 g	ca. 45 g	ca. 4 g	ca. 45 g	ca. 4 g

1) For product designation of sensors with options see designation code on page 13.

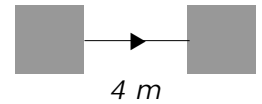
2) When not otherwise noted, all technical data at $T_A = 25^\circ\text{C}$ and $U_s = 24 V$.

Note:

The emitter is only activated, if the *test input* is connected to U_s or to a corresponding test signal.

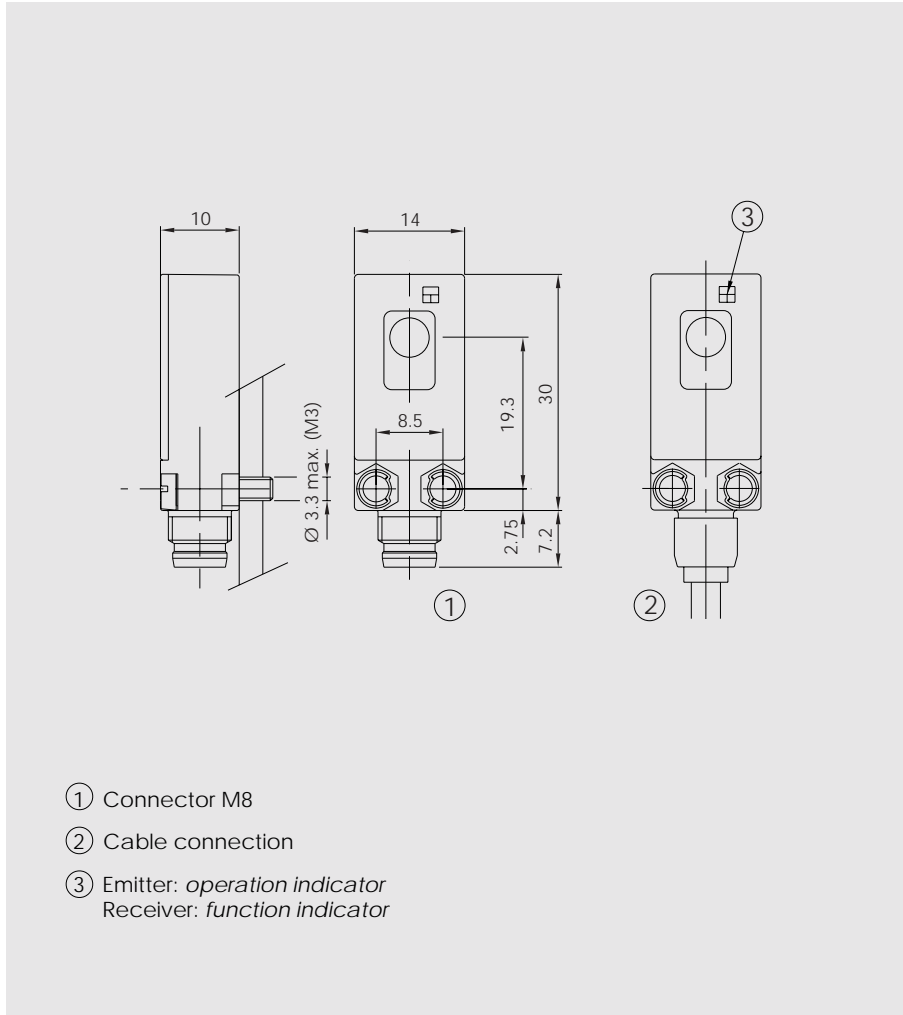
10...30 VDC

NPN / PNP
light-on and
dark-on output

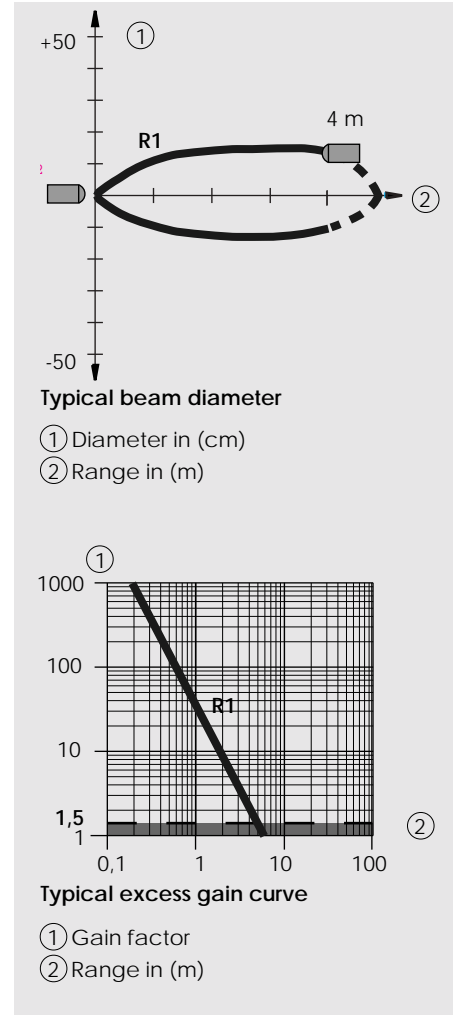


OUS/OUE

Dimensions (30 mm x 10 mm x 14 mm)



Optical diagrams



Wiring diagram

