

## Printrelays

Printrelay with 2 change-over contacts for the safe separation of light-duty control circuits and heavy-duty switching circuits.

### Designations for ordering

Standard execution PR 2F .. VDC

### Options

Contact material AgCuNi  
Twin contact  
(see contacts data sheet)

### Accessories

none

### Contacts data

(for curves see contacts data sheet)

Contact material	AgCuNi (Standard)
Type of contact	Single contact
Rated switching capacity	250 VAC 6 A AC1 1500 VA
Electrical life	approx. 100'000 Operations 250 VAC 6A AC1 (360 operations/h)
Making current max.	15 A for 200 ms
Switching current range *	50 mA to 6A
Switching capacity range *	0,3VA(W) to 1500VA
Contact transition resistance	≤ 120 mΩ when new

\*Guide values

### General data

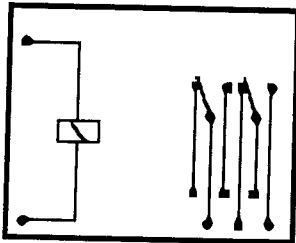
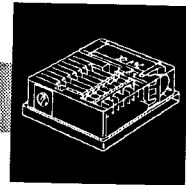
Mechanical life	> 20 x 10 <sup>6</sup> Operations
Switching frequency, mechanical	20 Hz
Response time	typically 10 ms
Drop-out time	typically 2.5 ms
Bounce time of NO contact	typically 6 ms
Bounce time of NC contact	typically 6 ms
Test voltage - coil/contact	2'000 V <sub>eff</sub> / 50 Hz
Test voltage - contact open	1'500 V <sub>eff</sub>
Insulation resistance	2x10 <sup>11</sup> ohm
Weight	30 g
Mounting position	any
Ambient temperature	max. +60 °C

### Tests, regulations

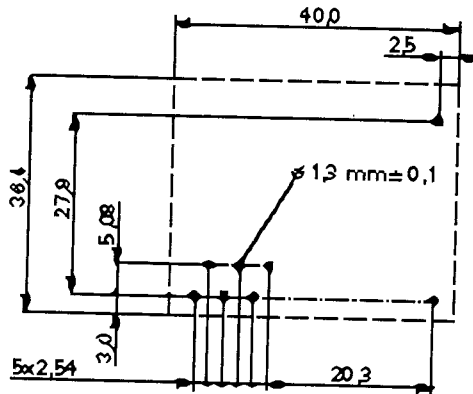
Approvals SEV, CSA, DEMKO, VDE, SUVA

# ELESTA

## PR 2F

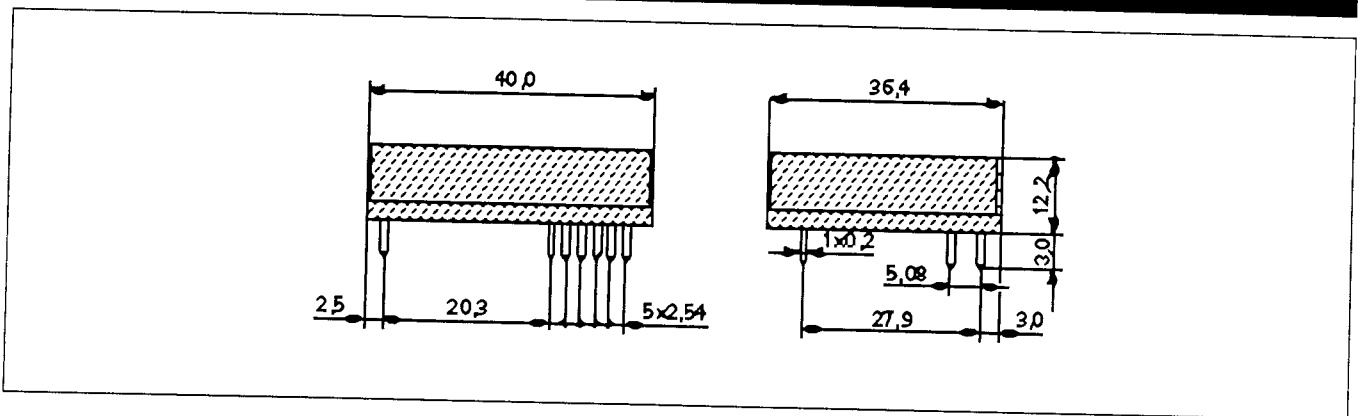


Connection diagram (view from top)



Drilling pattern (view from solder side)

### Dimension drawing



Printrelays

### Coil data

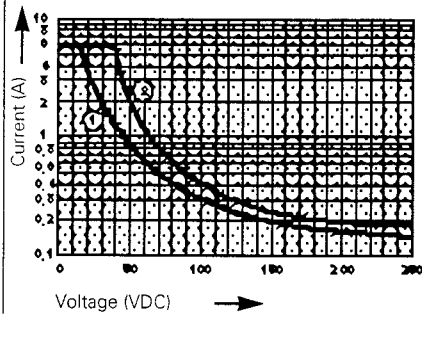
Standard coils for direct current (other voltages on request)

Nominal voltage VDC	Min. pick-up voltage at 20 °C	Drop-out voltage at 20 °C	Nominal current mA	Resistance ohm at 20 °C	Tolerance %
6	5.1	≥ 0.3	222	27	+/-10
12	10.2	≥ 0.6	109	110	+/-10
24	20.4	≥ 1.2	54.5	440	+/-10
48	40.8	≥ 2.4	30	1'600	+/-10
110	93.5	≥ 5.5	10.3	10'600	+/-13

## Contacts data

### AgCuNi 6A Single contact

Breaking capacity with direct current



- 1) Inductive load, L/R 40 ms
- 2) Ohmic load

Data valid for relays	PR 4F PR 4H
Contact material	AgCuNi (AgCu1,8Ni0,12)
Type of contact	Single contact
Rated switching capacity	250VAC 6A AC1 1500VA
Electrical life	approx. 100'000 Operations 250 VAC 6A AC1 (360 operations/h)
Making current max.	15A for 200 ms
Switching current range*	50mA to 6A
Switching capacity range*	0,3VA(W) to 1500VA(W)
Contact transition resistance	$\leq 120m\Omega$ when new

\*Guide values

### AgCdO 6A Single contact

Data valid for relays	PR 2F
Contact material	AgCdO (90/10)
Type of contact	Single contact
Rated switching capacity	250VAC 6A AC1 1500VA
Electrical life	approx. 120'000 operations 250 VAC 6A AC1 (360 operations/h)
Making current max.	25A for 200ms
Switching current range*	100mA to 6A
Switching capacity range*	1VA(W) to 1500VA(W)
Contact transition resistance	$\leq 120m\Omega$ when new

\*Guide values