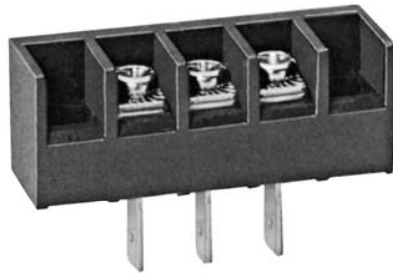
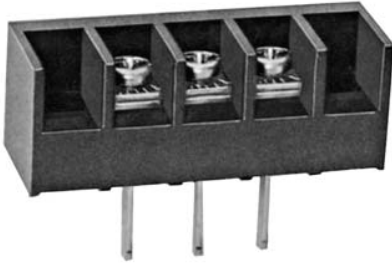




G SERIES

TERMINAL BLOCKS

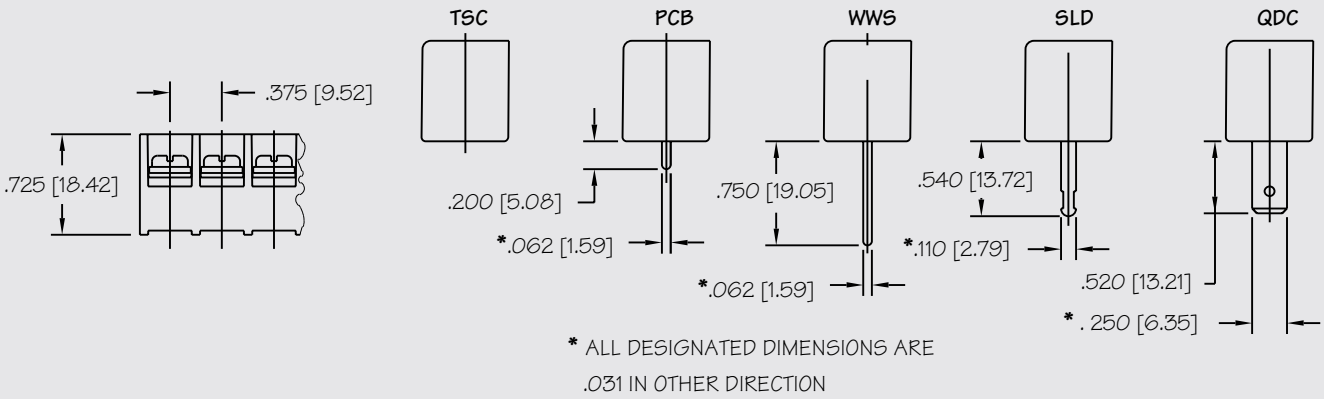


DESCRIPTION	Tri-barrier, Single Row Terminal Blocks
ELECTRICAL RATING	• 300 Volts, 20 Amps
CONSTRUCTION	<p>Terminals • Brass, Bright Tin Plated</p> <p>Screws • Binder Head, 6 - 32 x 1/4" Steel, Zinc Plated</p> <p>• Pressure Clamp, 6 - 32 x 5/16" Steel Zinc Plated, Wire Range #12 - #22 Solid or Stranded</p> <p>Molding • Break Resistant Thermoplastic</p>
AGENCY APPROVALS	<p>• UL recognized, File No. E95586 </p> <p>• CSA certified, File No. LR80483 </p>



CUSTOM CONNECTOR

TERMINAL STYLES



OPTIONAL MOUNTING END DESIGNATION

