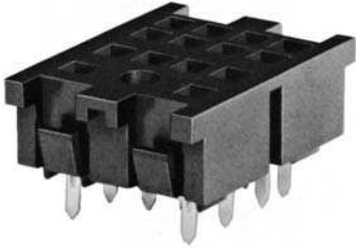


# MR SERIES

## RELAY SOCKETS



<b>DESCRIPTION</b>	8 and 14 Miniature Sockets
<b>ELECTRICAL RATING</b>	• 300 Volts, 10 Amps*** <b>NEW UPGRADED RATING***</b>
<b>CONSTRUCTION</b>	<b>Contacts</b> • Brass, Bright Tin Plated <b>Molding</b> • Break Resistant Thermoplastic
<b>AGENCY APPROVALS</b>	• UL recognized, File No. E60008 • CSA certified, File No. LR29513 • CE (*)



### ORDERING CODE

PART NO.	DESCRIPTION	TERMINAL TYPE
MR08-PCB (*)	DPDT, 8 Pin Miniature (Fig. 1)	PC Board
MR08-PCB-1G (*)	DPDT, 8 Pin Miniature (Fig. 1)	PC Board, Ground Lug Omitted
MR08-PCB-2G	DPDT, 8 Pin Miniature (Fig. 2)	PC Board
MR14-PCB (*)	4PDT, 14 Pin Miniature (Fig. 1)	PC Board
MR14-PCB-1G(*)	4PDT, 14 Pin Miniature (Fig. 1)	PC Board, Ground Lug Omitted
MR14-PCB-2G	4PDT, 14 Pin Miniature (Fig. 2)	PC Board

### ACCESSORIES

PART NO.	DESCRIPTION (Refer to the accessories pages 25-27)
HDB-4	Hold Down Spring
HDB-9	Hold Down Spring



CUSTOM CONNECTOR

Fig. 1

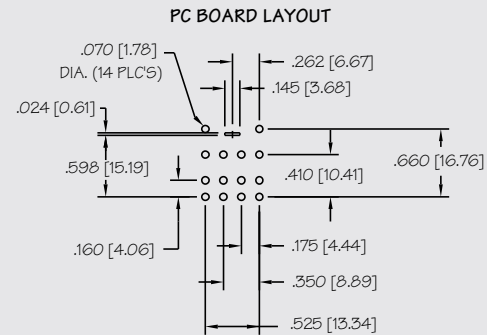
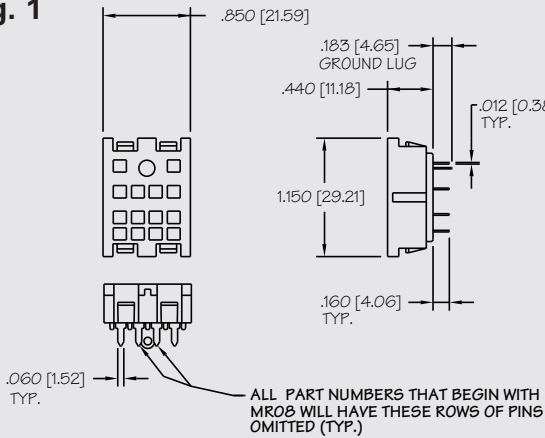


Fig. 2

