

# HB SERIES

## ELECTRONIC PACKAGING PRODUCTS

### DESCRIPTION

8 and 11 Pin Octal Style Male Headers

### CONSTRUCTION

- Molding** • High Temperature Phenolic
- Pins** • Brass, Bright Tin Plated

### ORDERING CODE

#### PART NO.

#### DESCRIPTION

HB08  
HB11  
HMS-1

8 Pin Octal Style Male Header (Fig. 1)  
11 Pin Octal Style Male Header (Fig. 2)  
Header Mounting Screw



CUSTOM CONNECTOR

Fig. 1

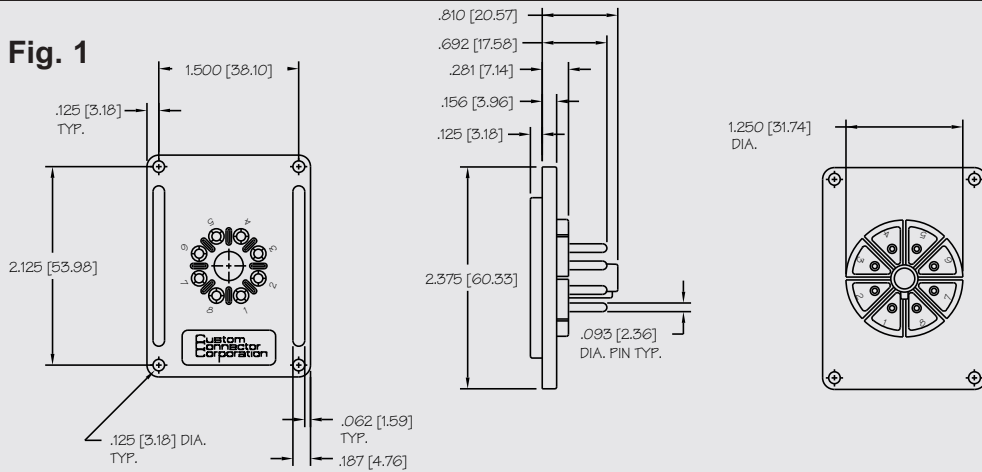


Fig. 2

