

# E1 SERIES

## ELECTRONIC PACKAGING PRODUCTS

### DESCRIPTION CONSTRUCTION

Enclosures

- Break Resistant Thermoplastic
- Black Standard; other colors available.
- Consult factory for a complete color listing

### ORDERING CODE

#### PART NO.

E1BV2020  
E1BV2020H  
E1BV2525  
C1BV2020  
C1BV2525

#### DESCRIPTION

Enclosure (Fig. 1)  
Enclosure with molded-in heat sink (Fig. 1)  
Enclosure (Fig. 3)  
Cover for E1BV2020 or E1BV2020H (Fig. 2) Consult factory for cover modifications  
Cover for E1BV2525 (Fig. 4) Consult factory for cover modifications



CUSTOM CONNECTOR

Fig. 1

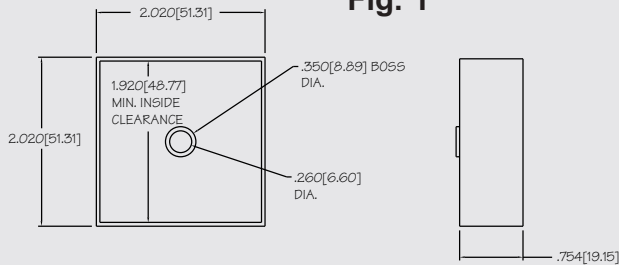


Fig. 2

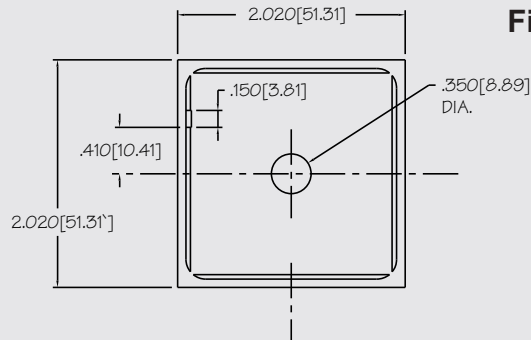


Fig. 3

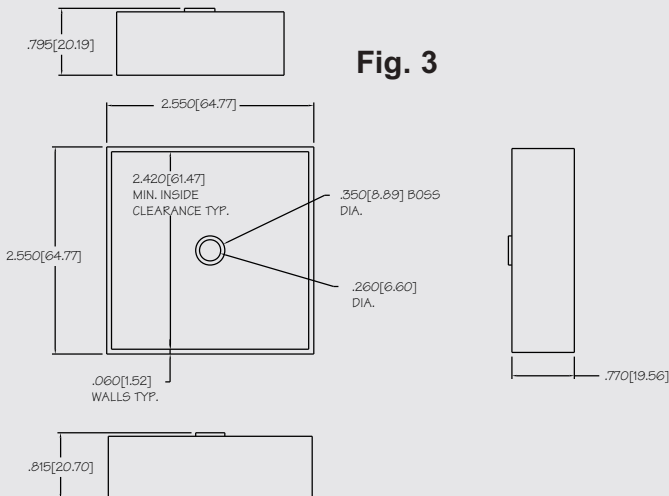


Fig. 4

